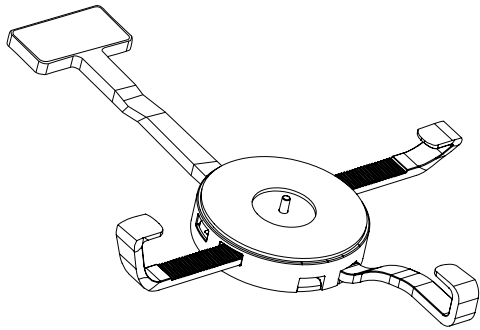


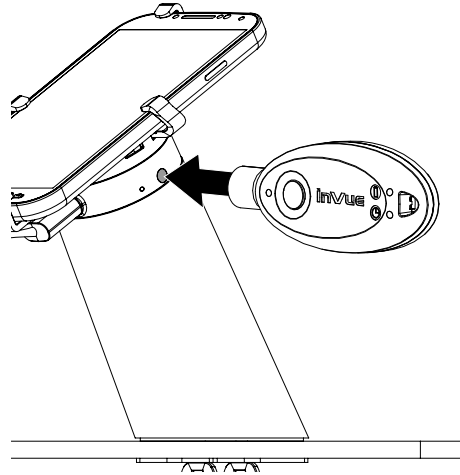
OnePOD

Removal & Installation Guide
 Samsung B4 Flip Bracket Arms
 SBH605

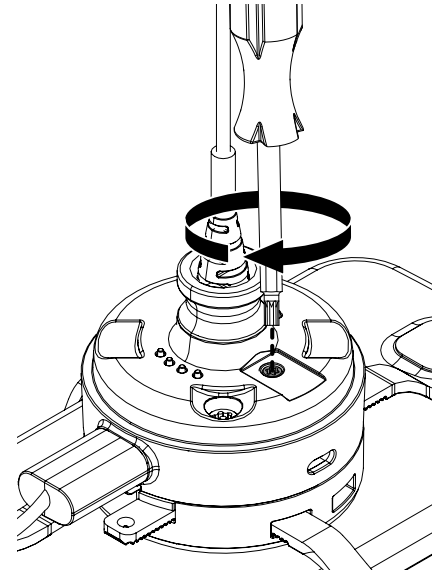


1 Removal:

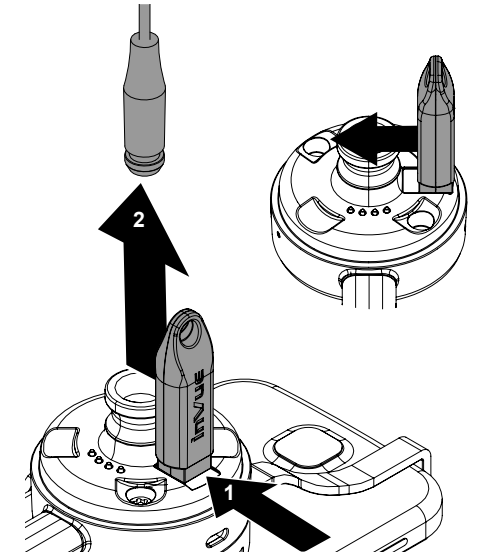
Deactivate the stand by placing a charged and coded IR key against the IR lens on the side of the sensor and pressing the button.



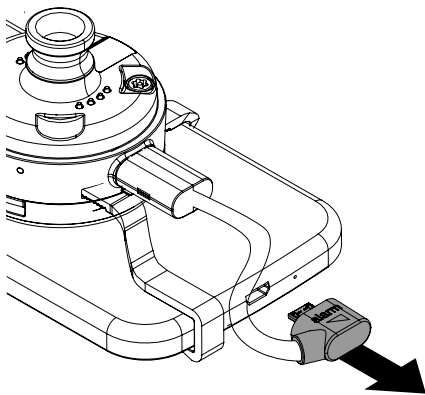
2 If applicable, turn the screw clockwise to lower the screw below the level of the flat area on the sensor.



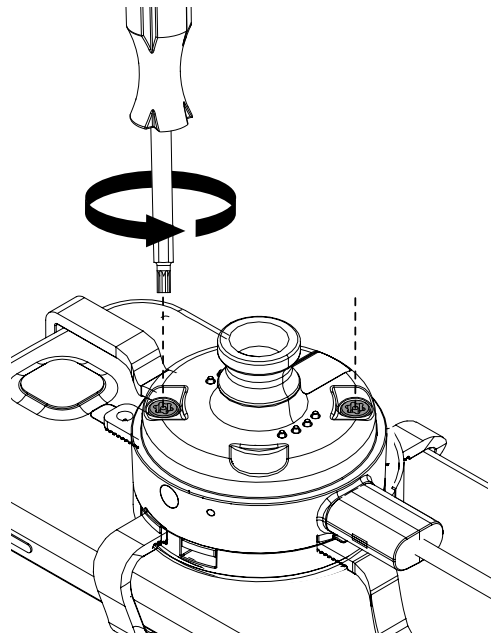
3 Remove the sensor and device from the stand. Place the magnet key (DBG400 or DBG406) into the depression on the sensor and push it inward to release the sensor cable. Pull the cable free.



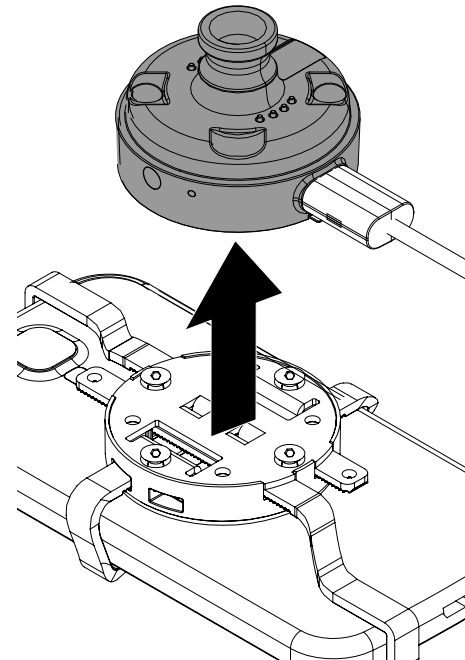
4 Unplug the power connector from the device.



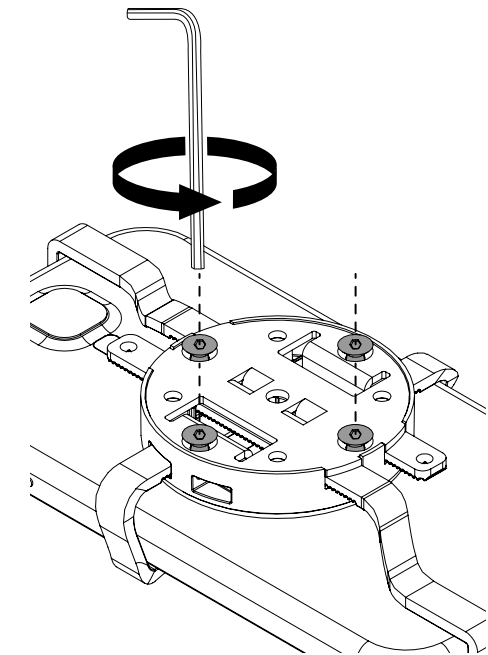
5 Use a T20 bit to remove the screws holding the sensor to the bracket plate.



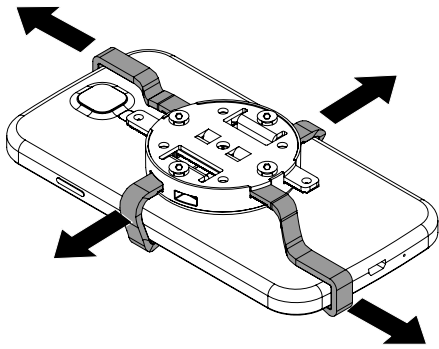
6 Remove the sensor from the bracket plate.



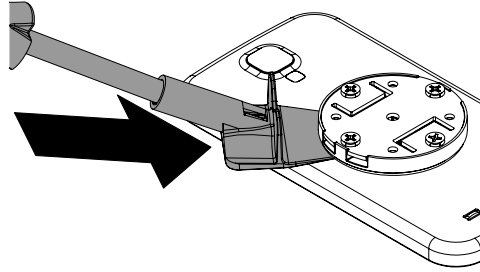
7 Loosen the 4 screws in the arm bracket plate.



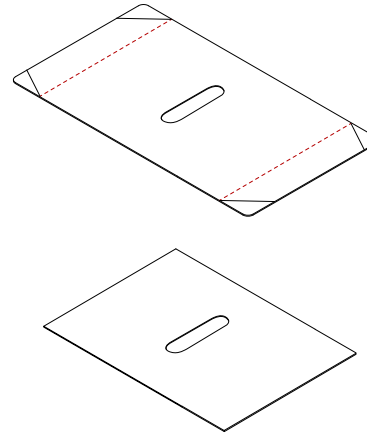
- 8 Remove the arms out from the bracket plate.



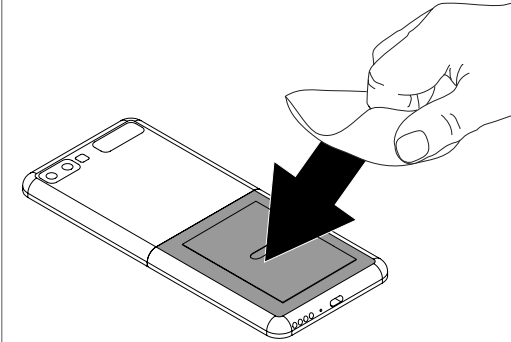
- 9 Use the scraper removal attachment (DNTX93) to break the adhesive bond between the sensor and the device.



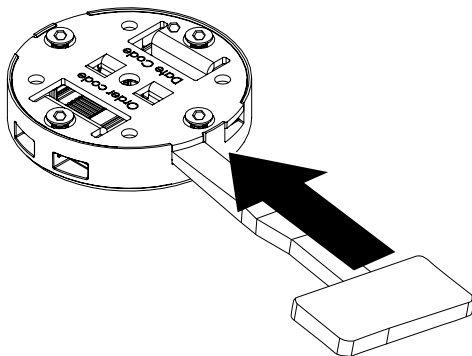
- 10 **Installation:**
Trim a HC7430 LSE plate at the following red markers to fit the display phone's back plate size.



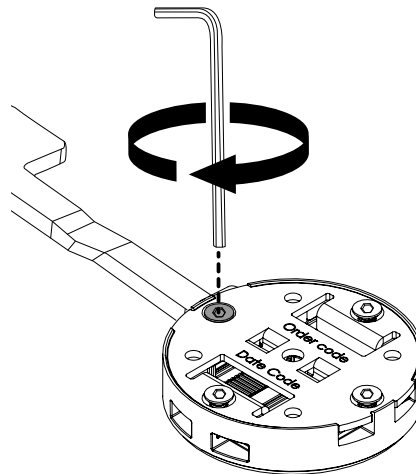
- 11 To promote optimal adhesion to the device, apply the polish kit ADH2300 and HC7430 to the back of the bottom portion of the device, following the instructions included with those kits. Then use the provided alcohol wipe to clean the area.



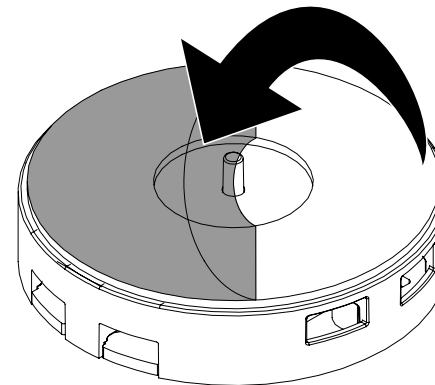
- 12 Insert the support arm fully into the bracket plate.



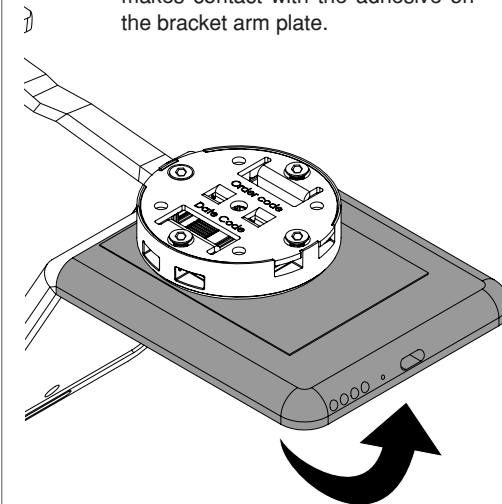
- 13 Tighten the screw nearest the flat arm to keep it in place.



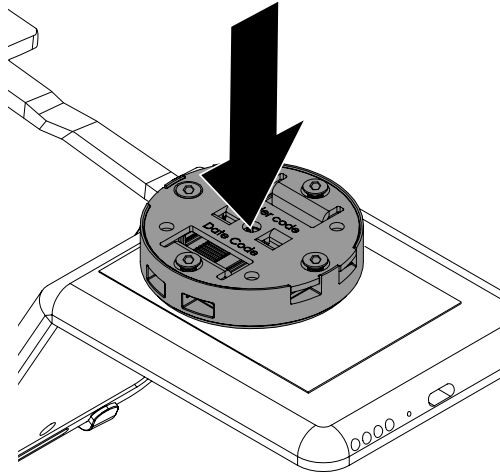
- 14 Remove any old adhesive from the base of the bracket plate and apply the new adhesive. Peel the clear film from the top.



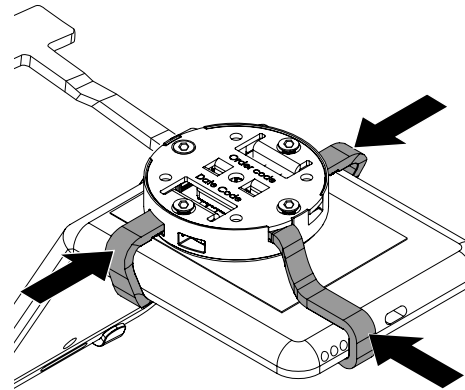
- 15 Position the arm bracket plate so that it is centered on the device. Ensure the yellow plunger aligns with hole in the plate. Carefully open the phone until the bottom part of the device makes contact with the adhesive on the bracket arm plate.



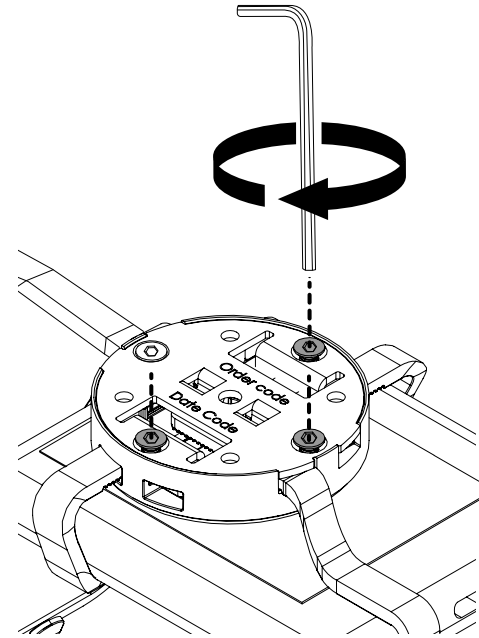
- 16 Press the bracket plate against the device for at least 10 seconds.



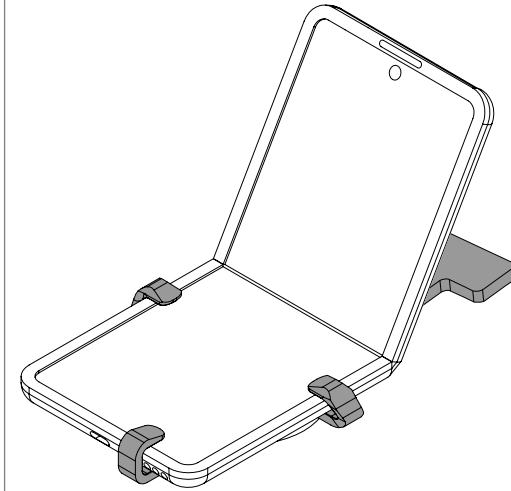
- 17 Reinsert the other arms so that they fit around the device.



- 18 Tighten the other 3 screws to secure the arms around the device.

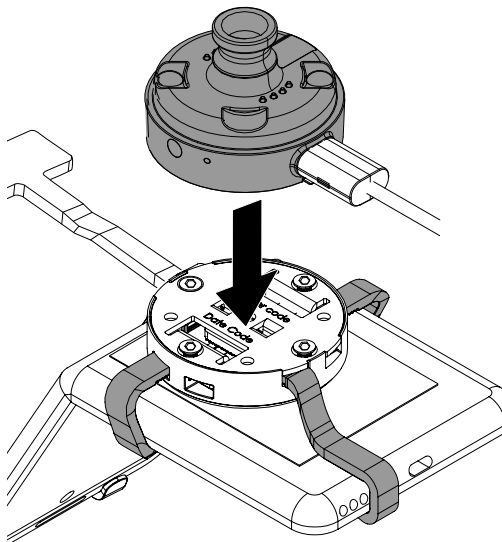


- 19 The final assembly should resemble the below image.

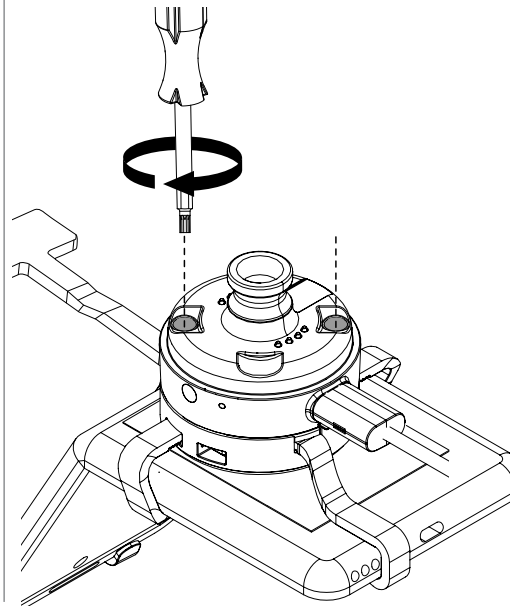


Note: See the instructions included with your OnePOD stand for more information on how to set up the stand and attach the sensor.

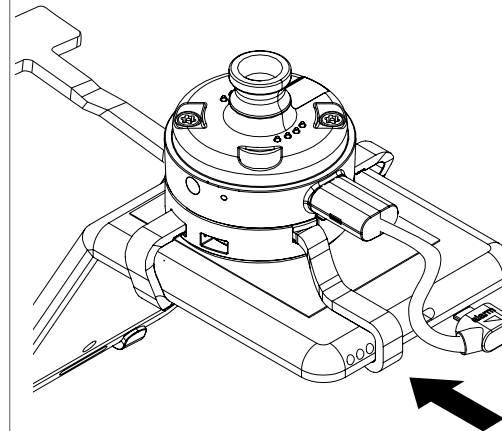
- 20 Place the sensor and device onto the stand.



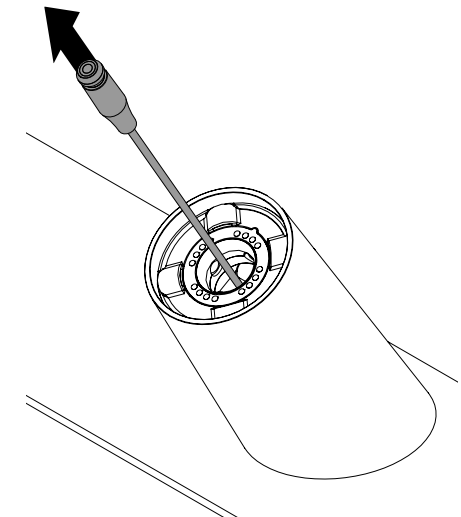
- 21 Insert the 2 screws and use a T20 bit to tighten and secure the sensor to the bracket plate.



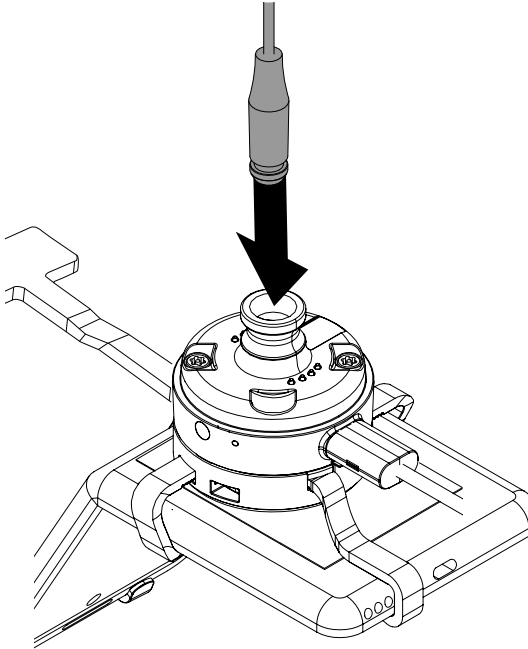
- 22 Plug the power connector into the device.



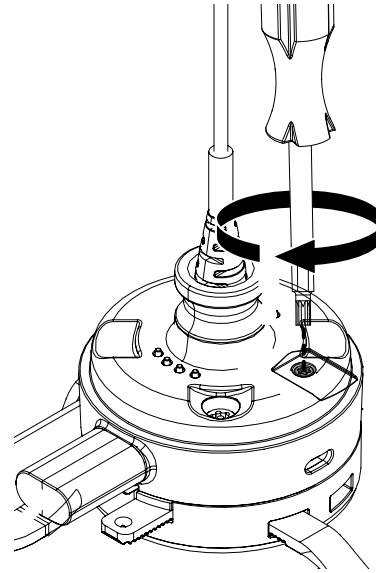
- 23 Pull the sensor cable from the stand.



- 24** Plug the sensor cable into the sensor. The sensor will click when the cable is inserted properly.



- 25** If applicable, turn the screw counterclockwise to raise it flush with the level of the flat area on the sensor.



SBH605 Rev 08/08/22



SABEL

P 1300 551 662

E info@sabel.com.au

© 2020 InVue Security Products Inc. All rights reserved. InVue is a registered trademark of InVue Security Products.