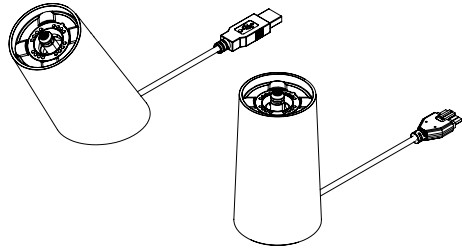
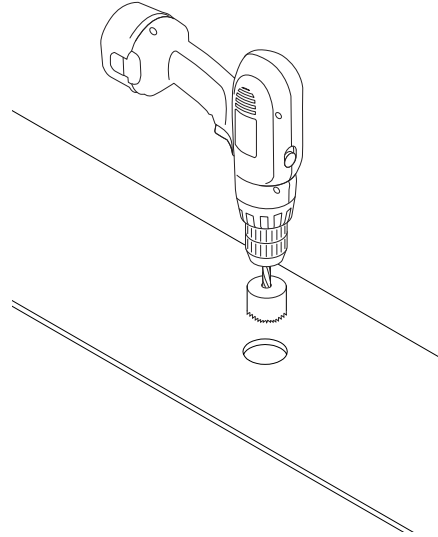


One55 & One65

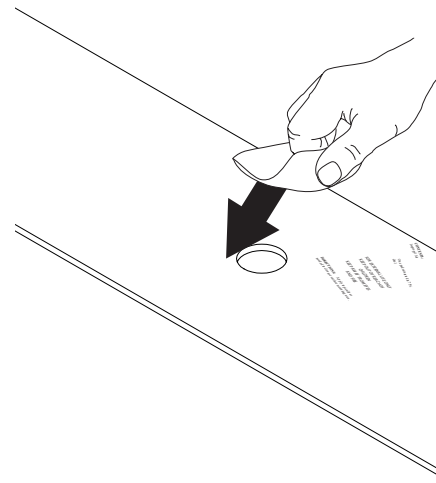
Angled and Flat Stands for OnePOD Camera



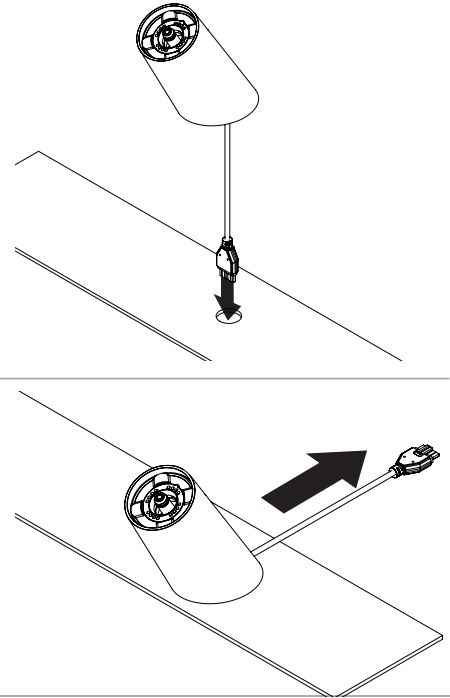
1 Stand Installation:
If routing power cable through fixture, drill a 19mm minimum, 22mm maximum hole in the fixture. **Do NOT mount the stand over a hole larger than 22mm.**



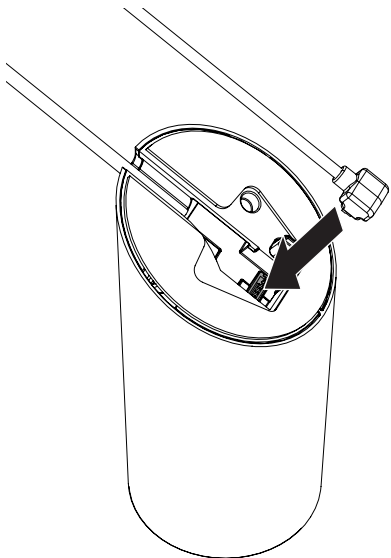
2 Wipe fixture with alcohol pad. **Let fixture dry completely.**



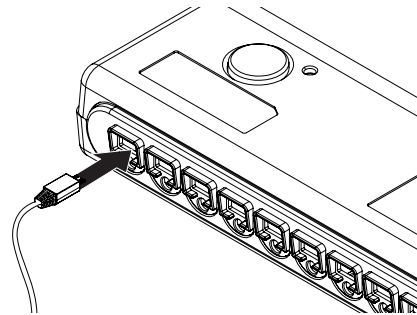
3 Determine whether power cable will route through hole or above fixture.



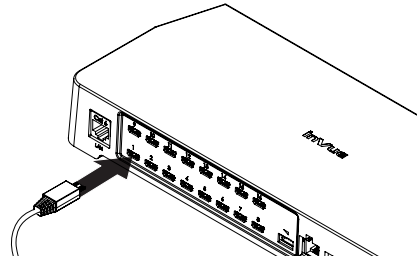
4a Optional:
If using a DIB or smart hub:
Plug the corresponding data cable into the port in the bottom of the stand.



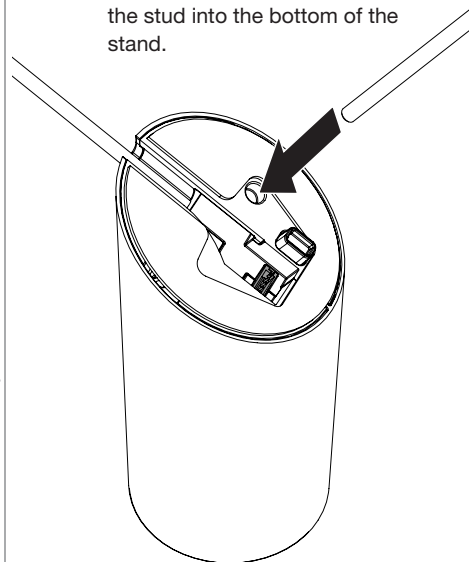
4b If using a DIB or smart hub:
Plug the cable into the DIB box or smart hub.



OR

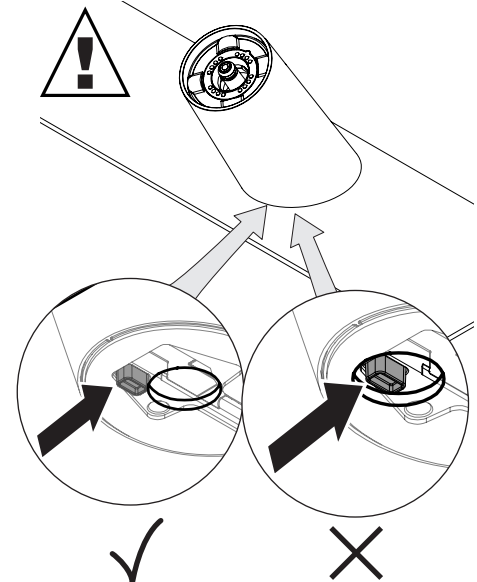


5 Optional:
If using the stud mount kit, thread the stud into the bottom of the stand.

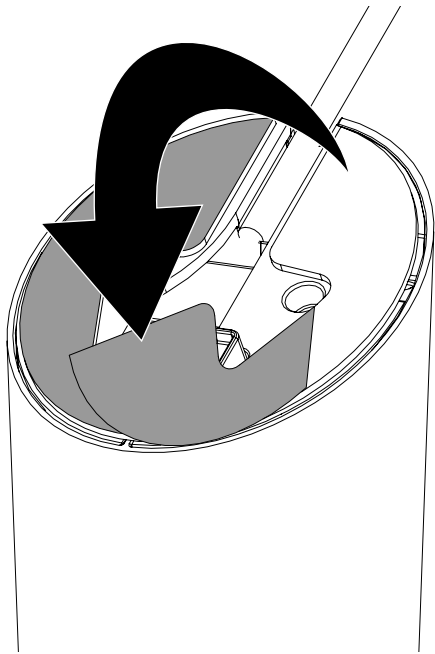


Note: If using the lock down feature on the stand, the use of the stud mount kit is recommended.

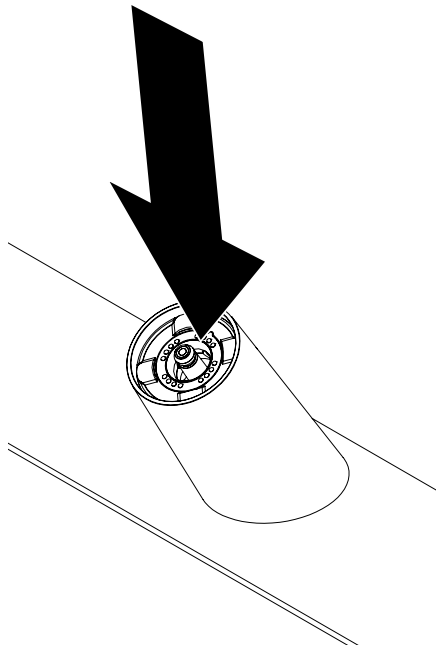
6 Consider where the stand will be mounted. **Be sure the plunger on the bottom will press against the fixture surface.**



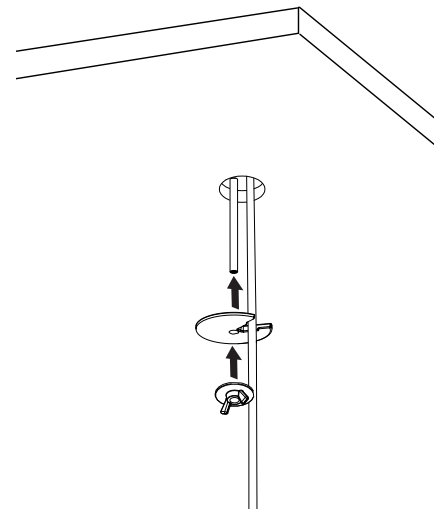
7 Remove clear film from adhesive.



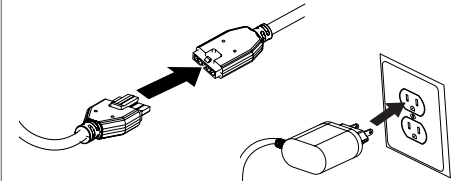
8 Press stand onto surface for at least 10 seconds.



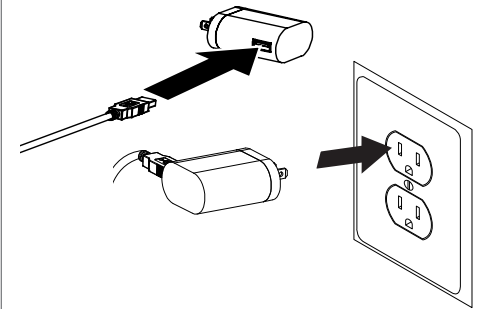
9 **Optional:**
If using a stud mount kit, attach the plastic washer and wing nut to the stud below the fixture and tighten by hand to secure the stand to the fixture.



10 **Be sure power is applied in this order.** Plug the power cable into the power supply. Plug the power supply into the wall. The stand will chirp.



OR



SD0546 Rev4 03/09/18



SABEL

P 1300 551 662

E info@sabel.com.au

© 2020 InVue Security Products Inc. All rights reserved. InVue is a registered trademark of InVue Security Products.