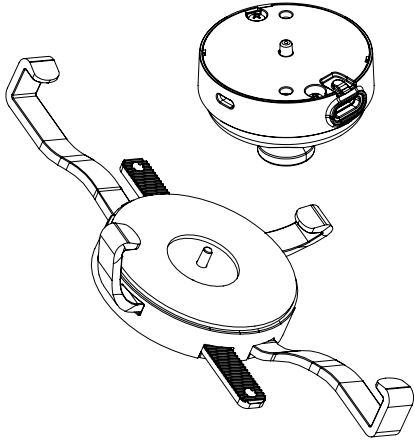
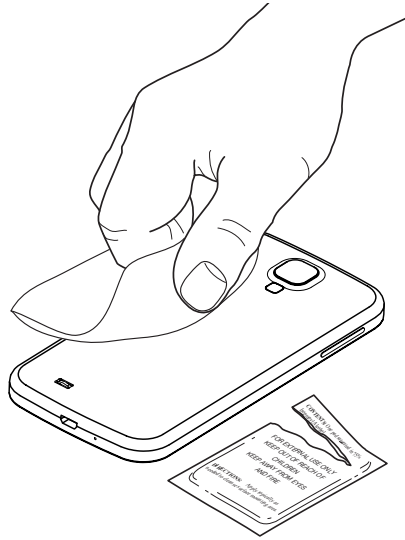


## OnePOD One55/65

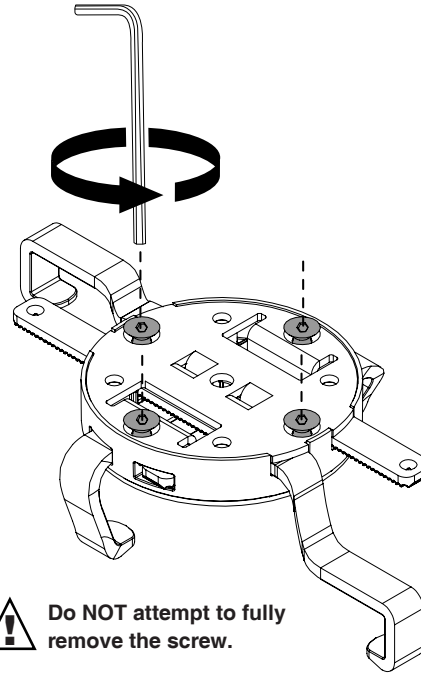
Enhanced & High Security Bracket  
Arm Plates & Sensor  
**Installation Guide**



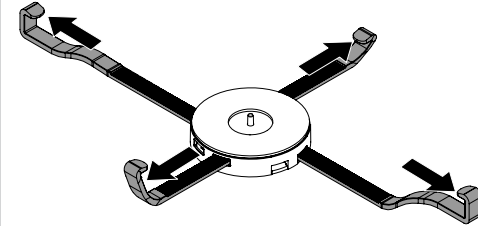
- 1** Wipe the back of device with the provided alcohol pad. **Let it dry completely.**



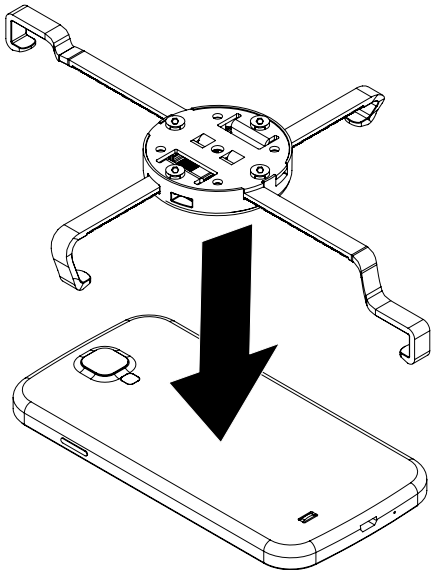
- 2** Loosen the 4 screws in the bottom of the bracket plate.



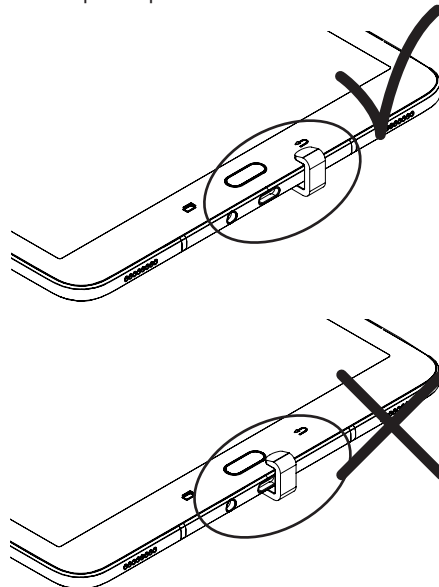
- 3** Slide the arms out from the bracket plate just far enough to accommodate the device.



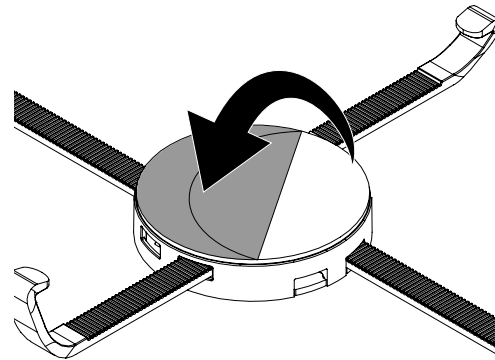
- 4** Before peeling the adhesive, center the bracket plate onto the back of the device to ensure that the arms will not interfere with any buttons or features on the device.



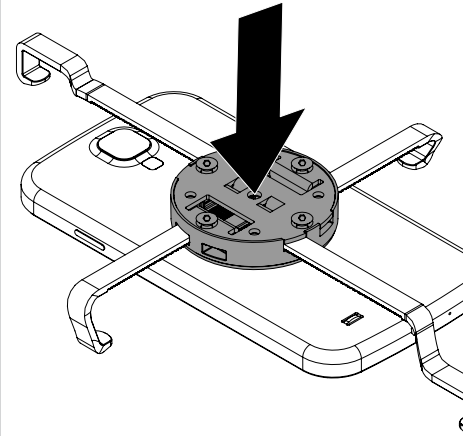
- 4b Optional:**  
The longer arms may need to be switched to prevent interference with buttons, power ports or other features.



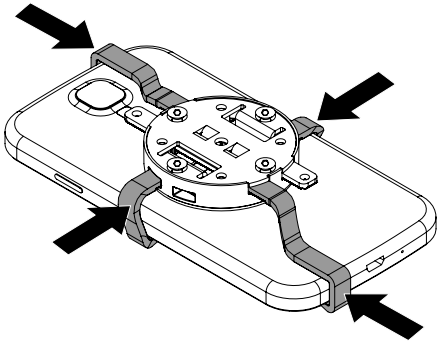
- 5** Remove the bracket plate from the phone and peel the clear film from the adhesive.



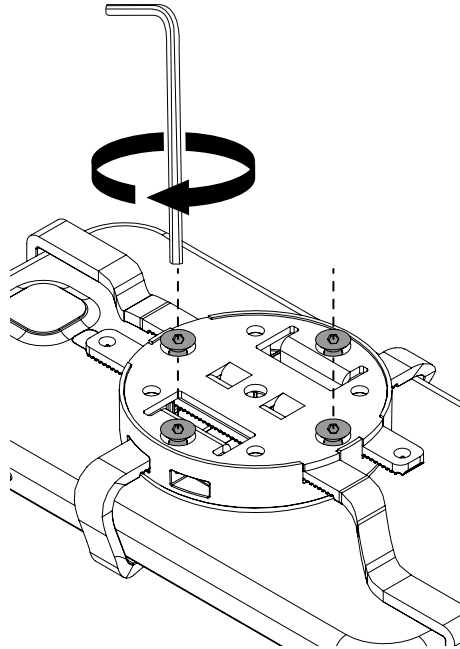
- 6** Place the bracket plate into the position determined in Step 12 and apply pressure for at least 10 seconds.



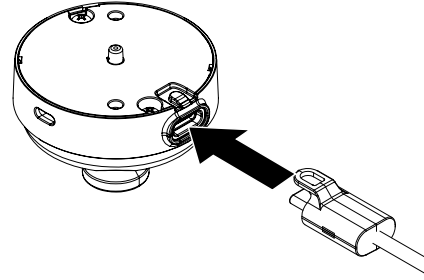
7 Slide the arms around the device.



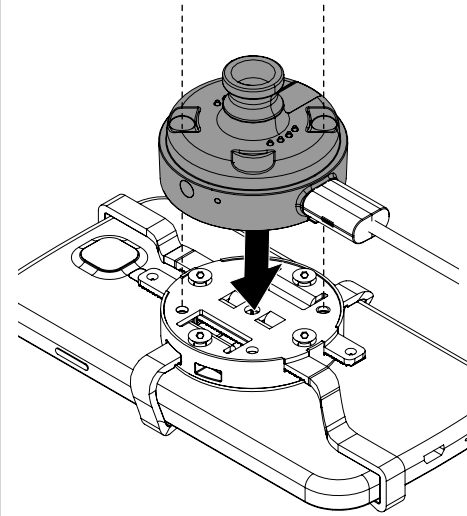
8 Tighten the 4 screws in the bottom of the bracket plate.



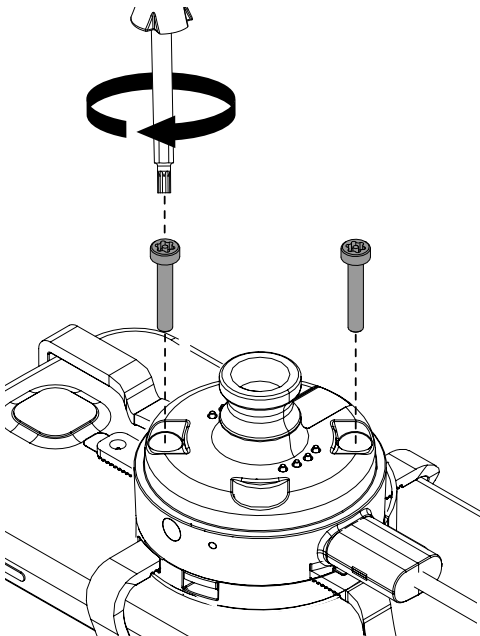
9 **Attaching the Sensor To the Bracket Plate:**  
Plug the power connector into the sensor.



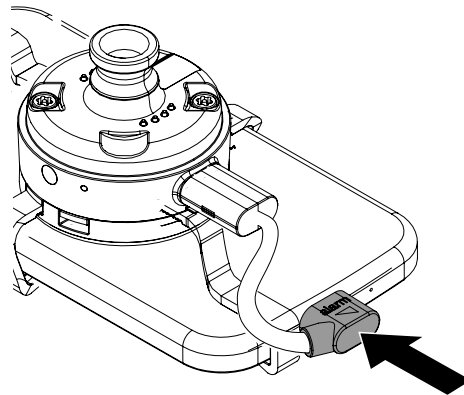
10 Align the sensor to the back of the bracket plate with the power connector facing towards the power port of the device.



11 Insert the 2 screws and use a T20 bit to tighten and secure the sensor to the bracket plate.

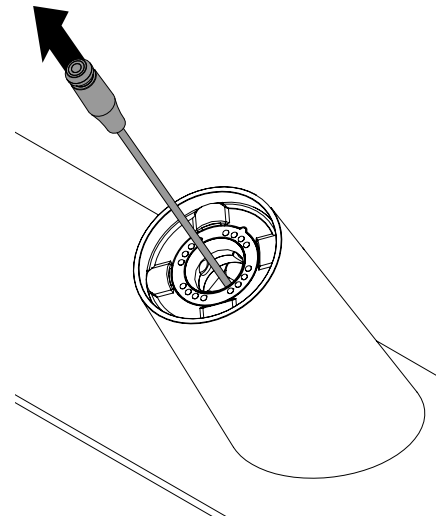


12 Plug the power connector into the device.

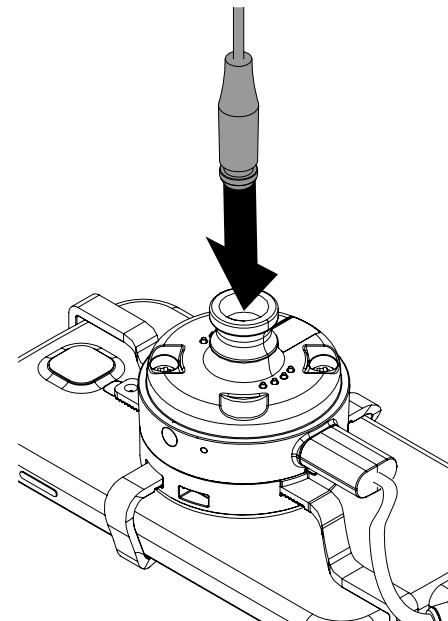


13 **Attaching the Sensor to the Stand:**

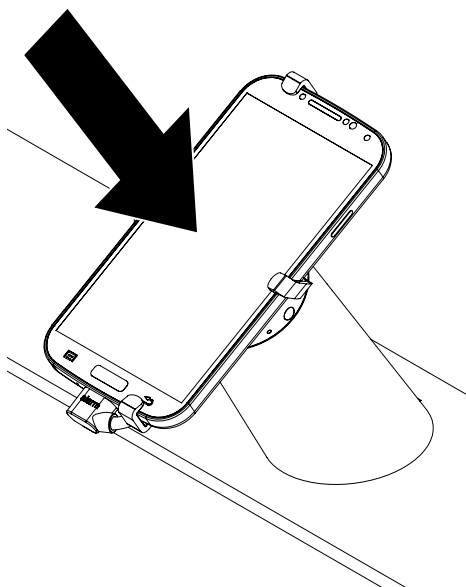
Pull the sensor cable from the stand.



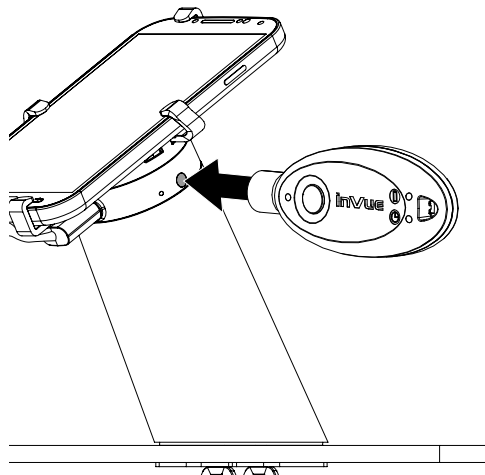
14 Plug the sensor cable into the sensor. The sensor will click when the cable is inserted properly.



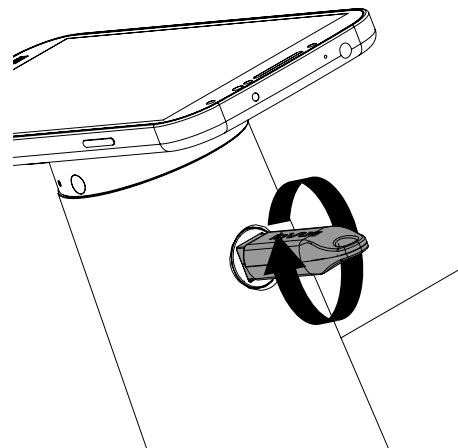
- 15 Place the sensor and device onto the stand.



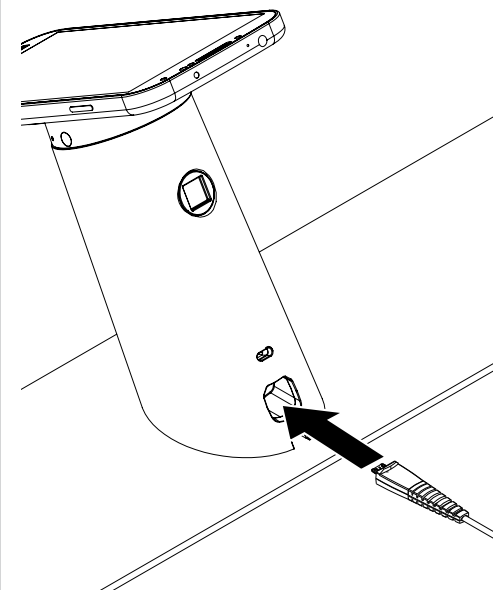
- 16 Place a charged and coded IR key against the lens on the side of the sensor. Press the button on the key to transfer the code to the stand and sensor. The stand will chirp.



- 17 **Optional:**  
To secure the sensor to the stand and prevent the device from being lifted. Insert the magnet key (DBG400 or DBG406) into the depression on the back of the stand and turn it 1/4 turn clockwise. Turn the key counterclockwise to unlock the sensor.



- 18 **Optional:**  
If present, plug a power/alarm auxiliary sensor into the back of the stand. The stand will chirp.



SD0548 Rev3 03/09/18



**SABEL**

P 1300 551 662

E info@sabel.com.au

© 2020 InVue Security Products Inc. All rights reserved. InVue is a registered trademark of InVue Security Products.