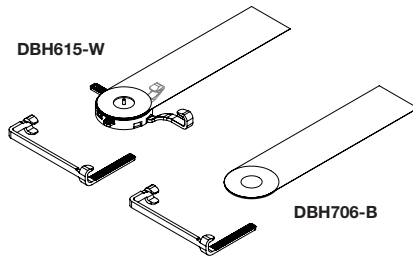


# SABEL

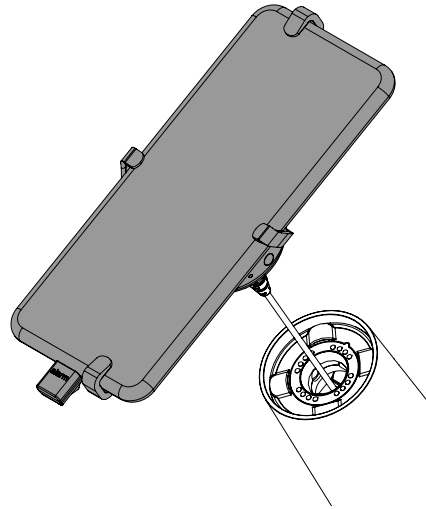
## OnePOD

Custom Bracket Arm Plate  
& Single Offset Arm  
DBH615-W & DBH706-B

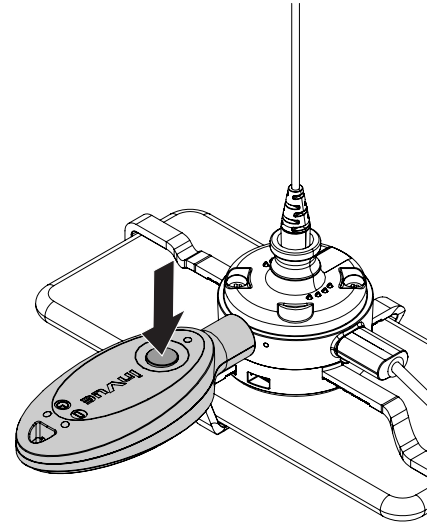


**Note:** If retrofitting an existing stand using **DBH706-B** go to Step 1. For new installation using **DBH615-W** go to Step 14.

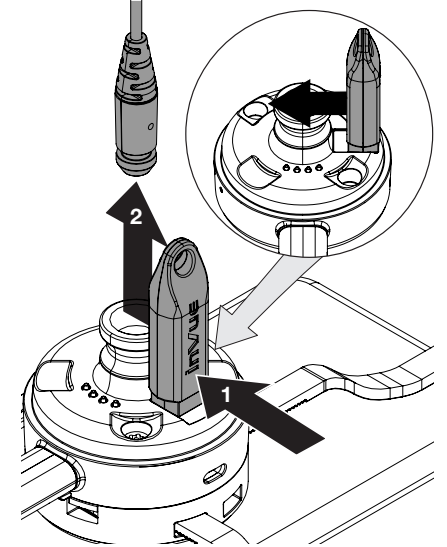
**1 Removal Steps for Retrofit:**  
Lift the device and sensor from the OnePOD stand.



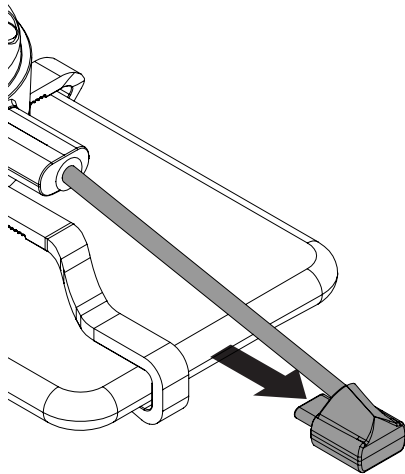
**2** Place a charged and coded OneKEY against the lens on the side of the sensor. Press the button on the Key to deactivate the alarm.



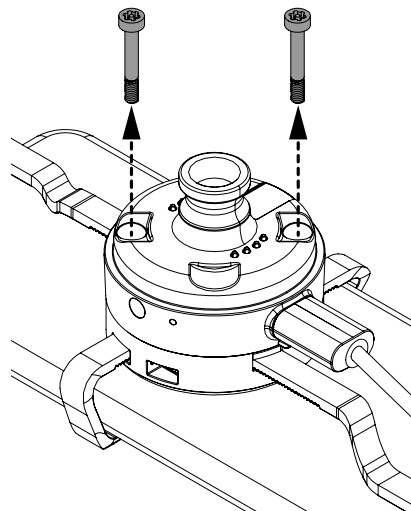
**3** Place the magnet key (DBG400) into the depression on the sensor and push it inward to release the sensor cable. Pull the cable free.



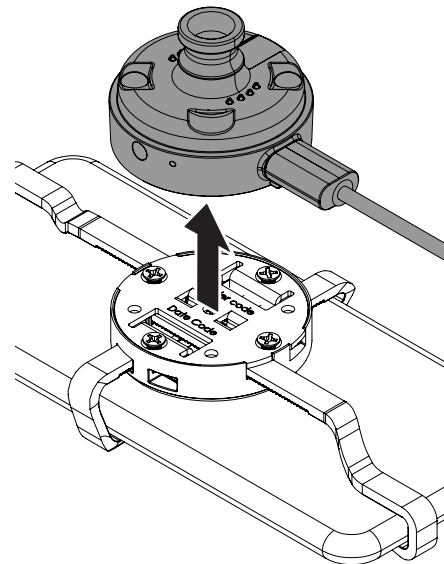
**4** Unplug the power connector from the device.



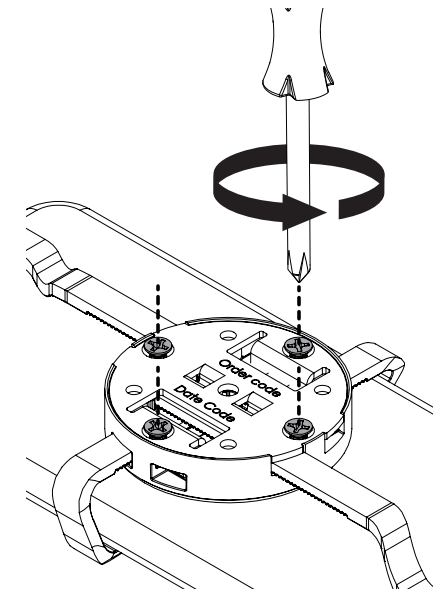
**5** Use a T20 bit to remove the screws holding the sensor to the bracket plate. Set aside for reinstallation.



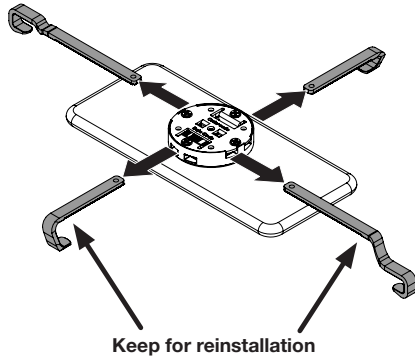
**6** Set the sensor and screws aside for later reinstallation.



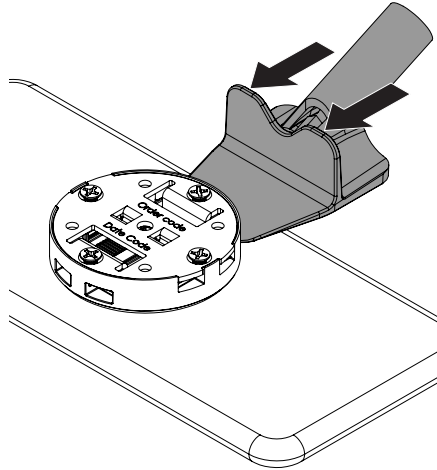
**7** Loosen the 4 screws on the back of the bracket plate.



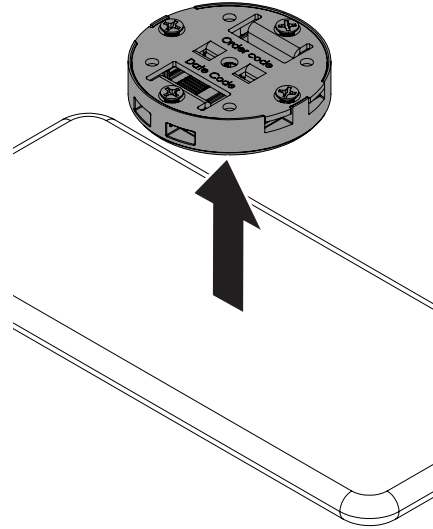
8 Remove the 4 arms from the bracket plate. Set aside 1 of the long arms and 1 of the short arms for later reinstallation. The other arms can be discarded if desired.



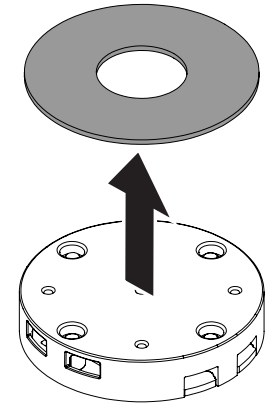
9 Insert the edge of the scraper removal tool (DNTX93) between the bracket plate and the device. Carefully work the removal tool back and forth to break the adhesive bond.



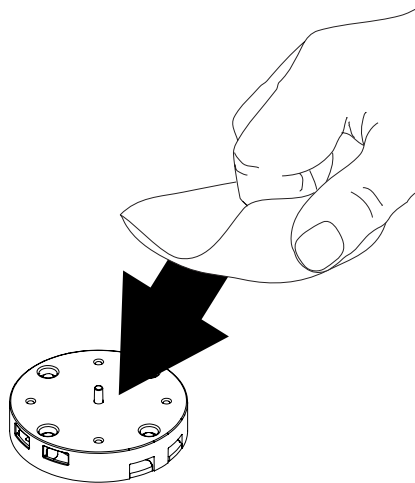
10 Remove the bracket plate from the device.



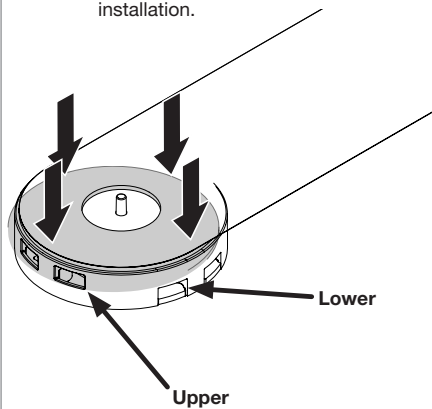
11 Remove the old adhesive from the bracket plate.



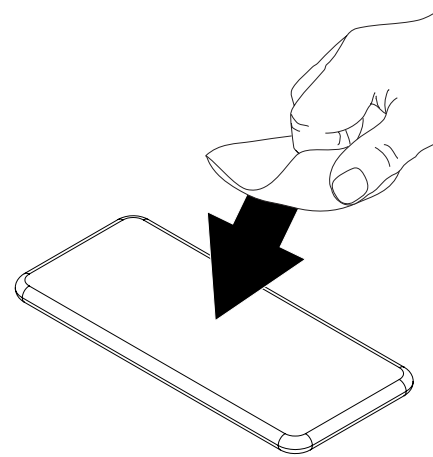
12 Use an alcohol wipe to clean any adhesive residue from the bracket plate. Allow it to dry completely.



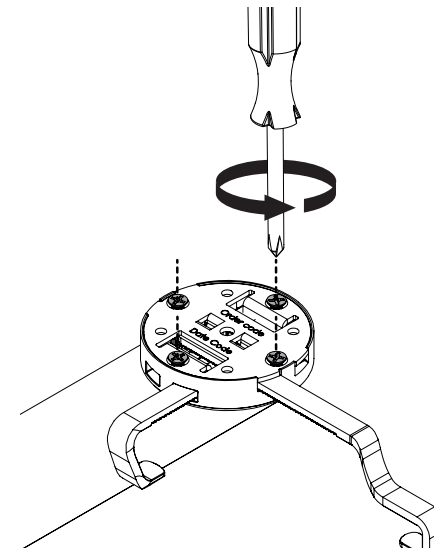
13 Place the adhesive included in the DBH706-B single arm kit onto the bracket plate, ensuring the pull tab will face in the same direction as the "upper" holes on the bracket plate. Apply pressure and smooth the adhesive onto the bracket plate. The bracket plate is now ready for installation.



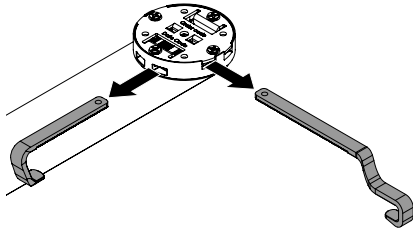
14 **Reinstallation Using DBH706-B / Installation of DBH615-W:**  
Use an alcohol wipe to clean the back of the device. Allow it to dry completely.



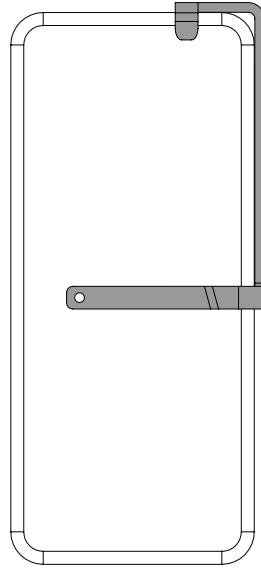
15a Loosen the 4 screws on the arm bracket plate.  
**Note:** This step only applies to DBH615-W installations.



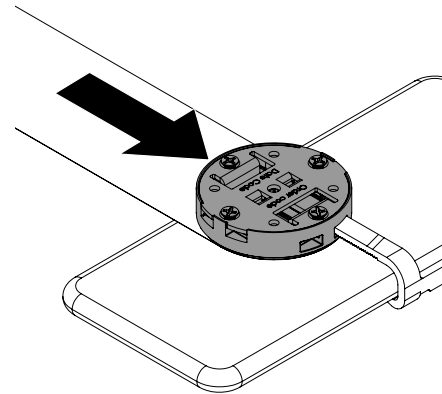
- 15b** Slide the 2 arms out of the bracket plate.  
**Note:** This step only applies to **DBH615-W** installations.



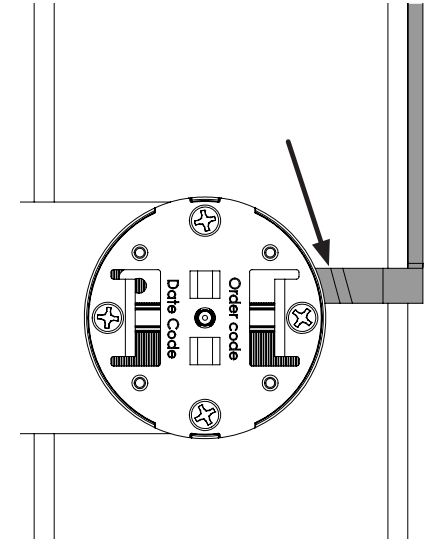
- 16** Fit the angle bracket arm around the top of the device. The image below shows the back of the device.



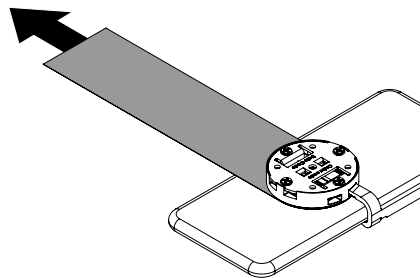
- 17a** Slide the bracket plate onto the arm using the forward slot illustrated below. The arm will sit perpendicular to the order code.



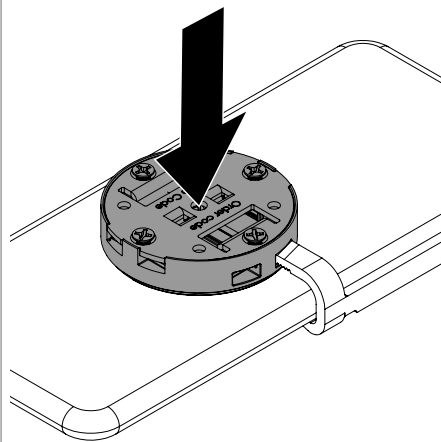
- 17b** Center the bracket plate on the back of the phone by aligning the side of the plate to the first scribe mark on the arm.



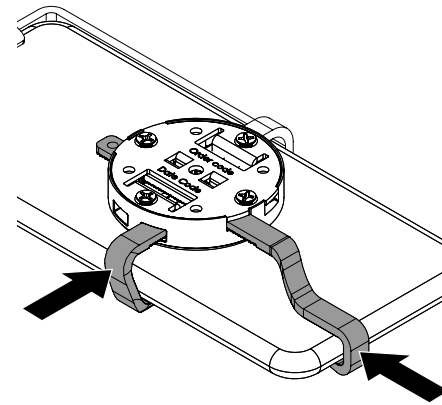
- 18** While holding the arm and bracket plate in place on the device, pull the tab to expose the adhesive.



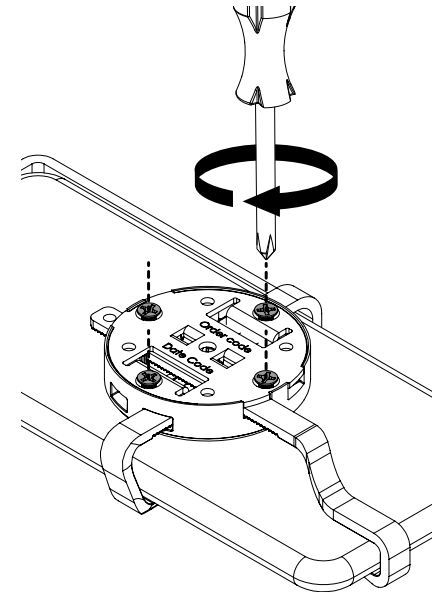
- 19** Press the bracket plate against the device for at least 10 seconds.



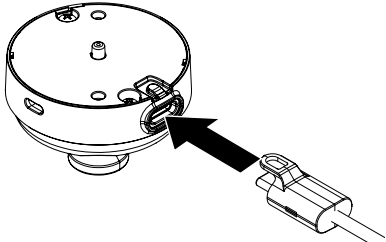
- 20** Reinsert the other 2 arms (either those saved for the retrofit or those provided with DBH15-W) so that they fit around the device.



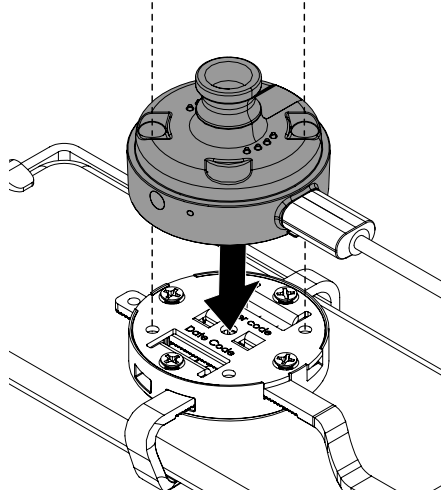
- 21** Tighten the 4 screws to secure the arms around the device.



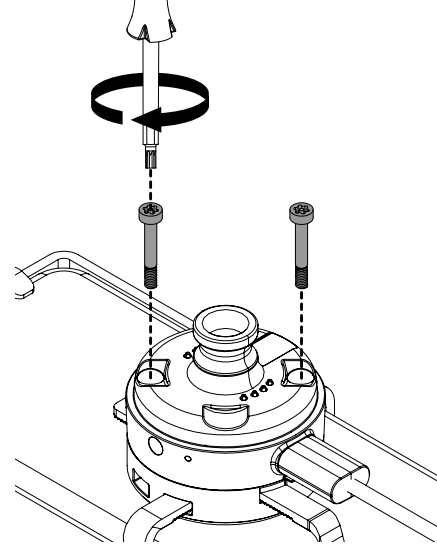
22 If not already done, plug the power connector into the sensor.



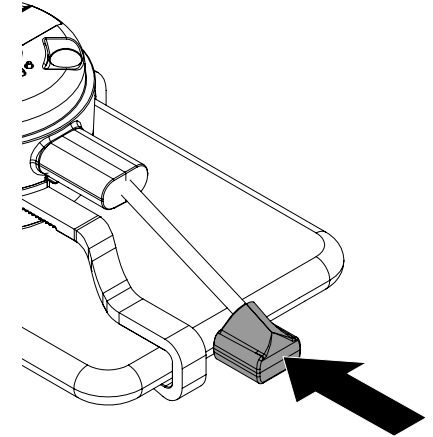
23 Place the sensor onto the bracket plate with the power connector facing towards the power connector on the device. Ensure that the screw holes on the sensor align with the holes on the bracket plate.



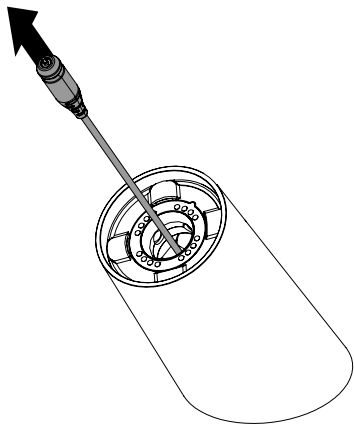
24 Secure the sensor to the bracket plate using the 2 screws provided with the bracket plate (or set aside from Step 5). Tighten the screws using a T20 bit.



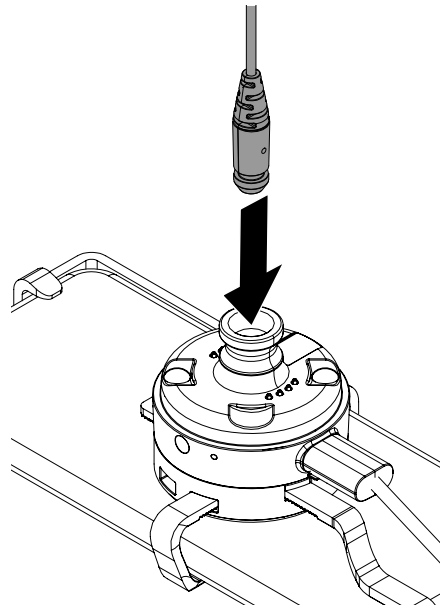
25 Plug the power connector into the device.



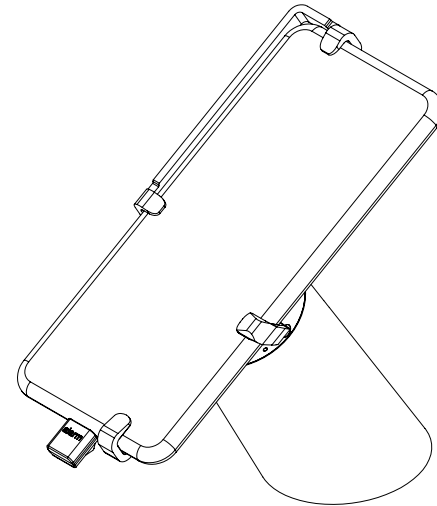
26 Pull the sensor cable from the stand.



27 Plug the sensor cable into the sensor.



28 Place the device and sensor onto the stand.



SD0887 Rev0 01/28/22



**SABEL**

1300 551 662  
info@sabel.com.au

© 2022 InVue Security Products Inc. All rights reserved.  
InVue is a registered trademark of InVue Security Products.