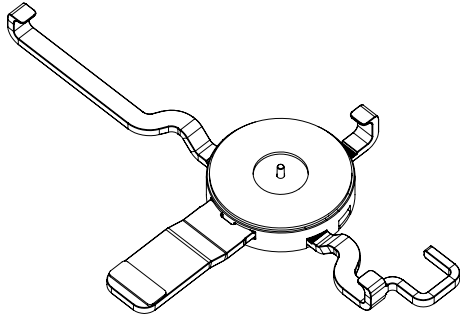
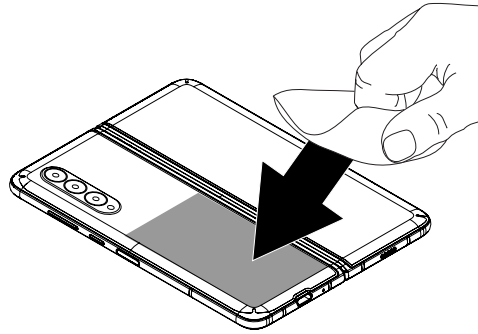


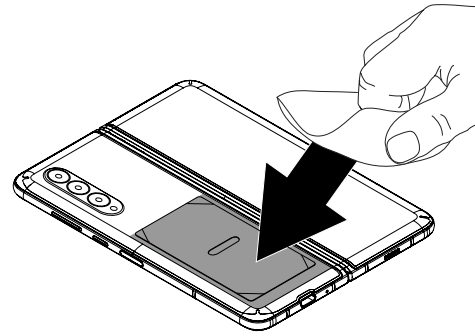
OnePOD
Removal & Installation Guide
Samsung Fold Custom Bracket Arms
DBH601



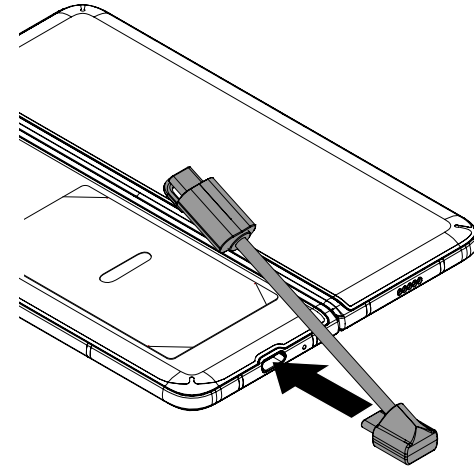
1 Use the provided alcohol wipe to clean the back of the device where indicated. Allow it to dry completely.



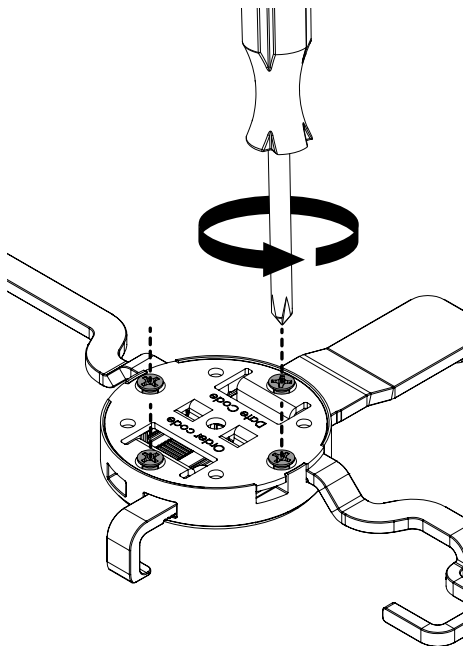
2 To promote optimal adhesion to the device, apply the polish kit ADH2300 and HC7430 to the back of the bottom portion of the device, following the instructions included with those kits.



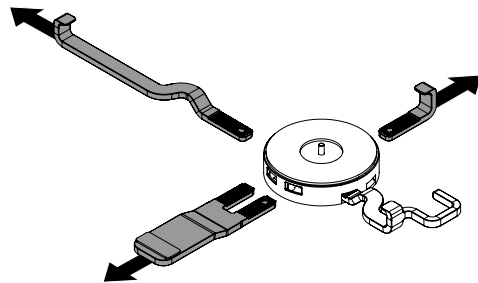
3 Plug the power connector into the device.



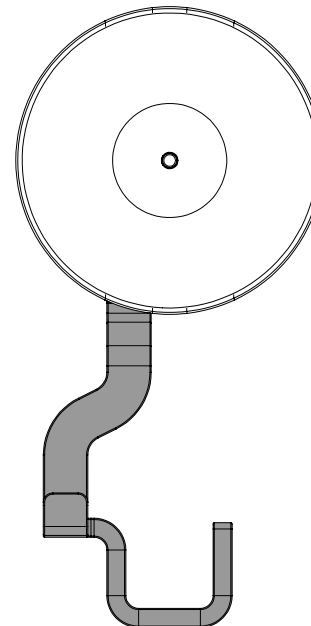
4 Loosen the 4 screws on the arm bracket plate.



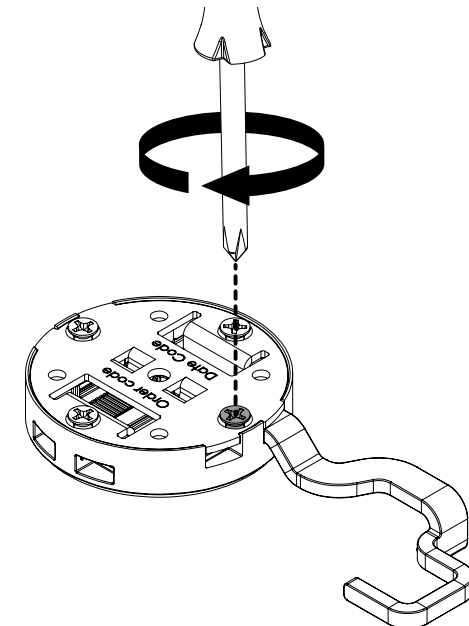
5 Slide all of the arms, except for the lower hook arm, out of the bracket plate.



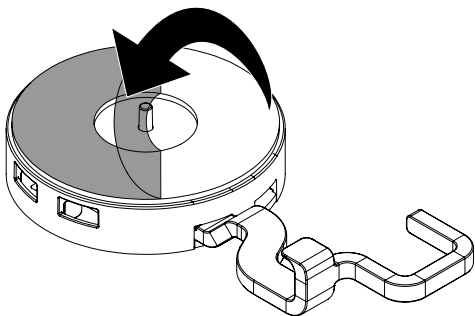
6 Push the lower hook arm all the way into the bracket plate, then back it out by 2 teeth.



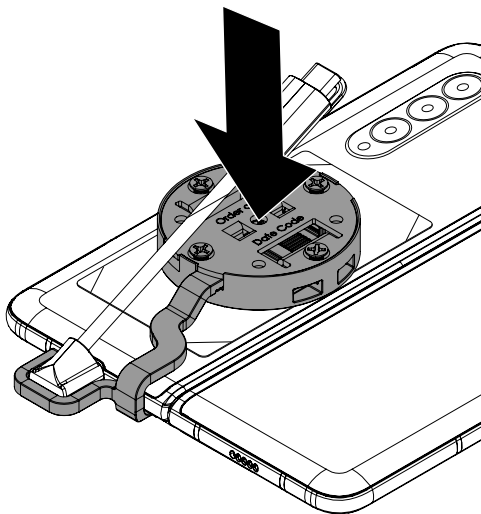
7 While holding the arm in place, tighten the screw closest to the arm.



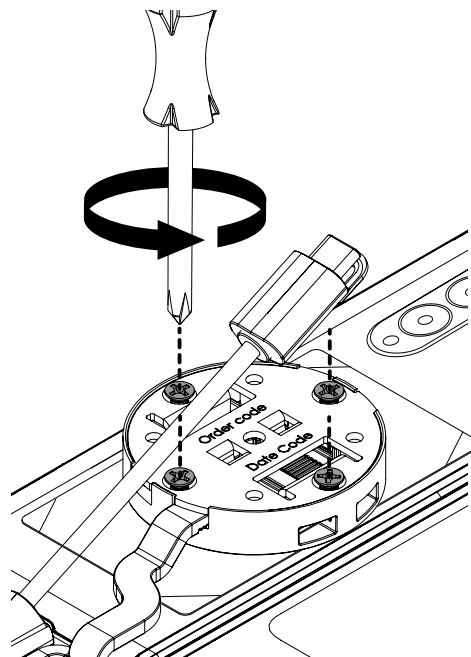
- 8 Peel the clear film from the adhesive on the bracket plate.



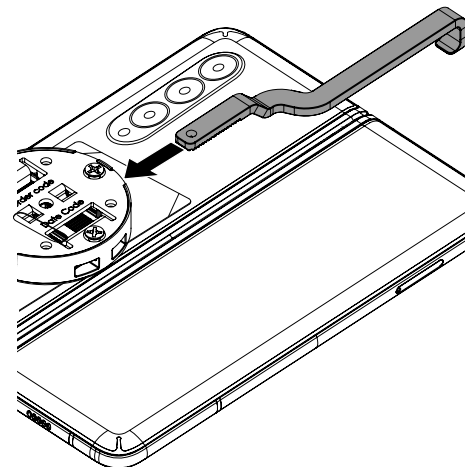
- 9 Place the arm bracket plate onto the back of the device so that the hook on the lower arm fits around the power connector. Ensure the yellow plunger aligns with hole in the plate. Apply pressure for at least 10 seconds.



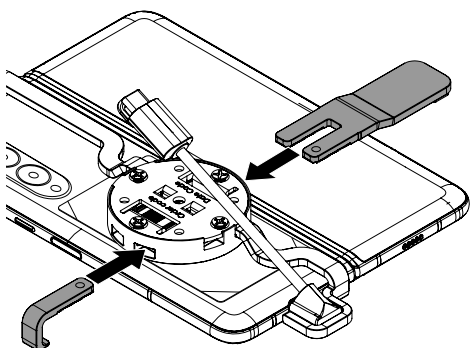
- 10 Loosen the 4 screws on the bracket plate.



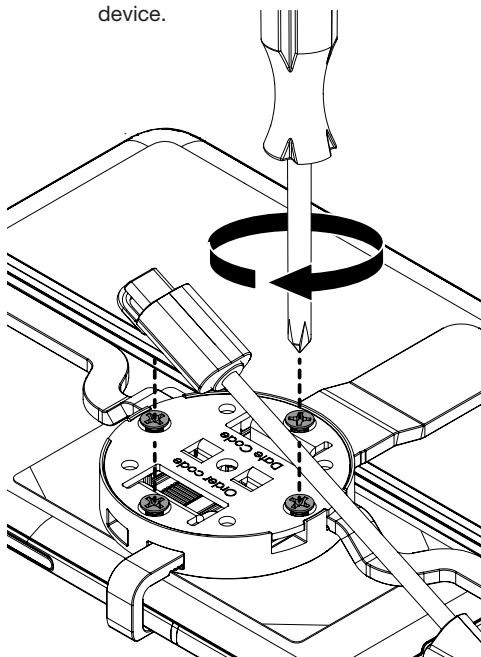
- 11 Insert the long arm back into the bracket plate.



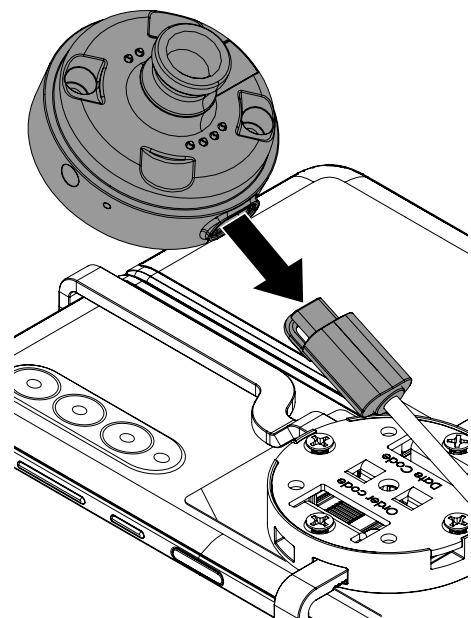
- 12 Insert the short arm and support arm into the sides of the bracket plate.



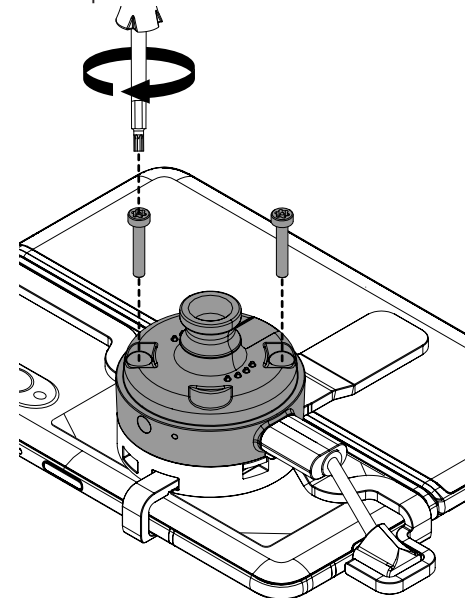
- 13 Tighten the 4 screws on the bracket plate to secure the arms around the device.



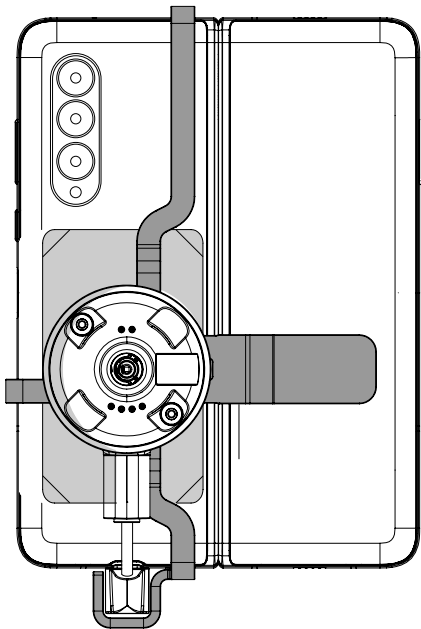
- 14 Plug the power connector into the sensor.



- 15 Place the sensor onto the bracket plate. Insert and tighten the 2 screws to secure the sensor to the bracket plate.



16 Final assembly should resemble the image below.



17 See the instructions included with your OnePOD stand for more information on how to set up the stand and connect the sensor.



DBH601 Rev1 08/08/22



SABEL

P 1300 551 662

E info@sabel.com.au

© 2021 InVue Security Products Inc. All rights reserved. InVue is a registered trademark of InVue Security Products.