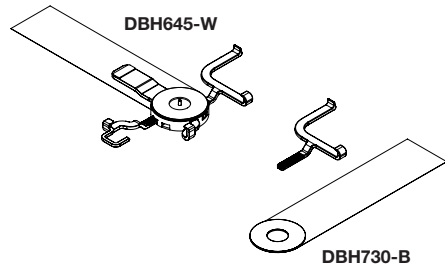


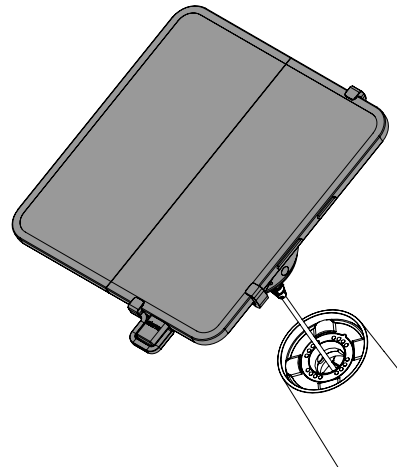
OnePOD

Custom Bracket Arm Plate
& Single Offset Arm
DBH645-W & DBH730-B

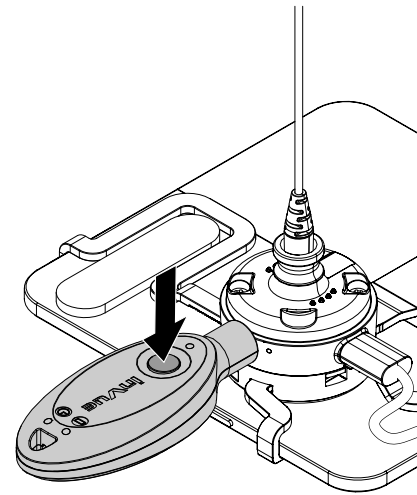


Note: If retrofitting an existing stand using **DBH730-B** go to Step 1. For new installation using **DBH645-W** go to Step 14.

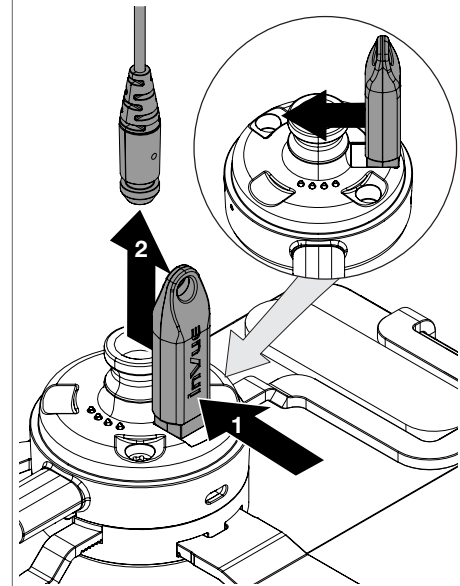
1 **Removal Steps for Retrofit:**
Lift the device and sensor from the OnePOD stand.



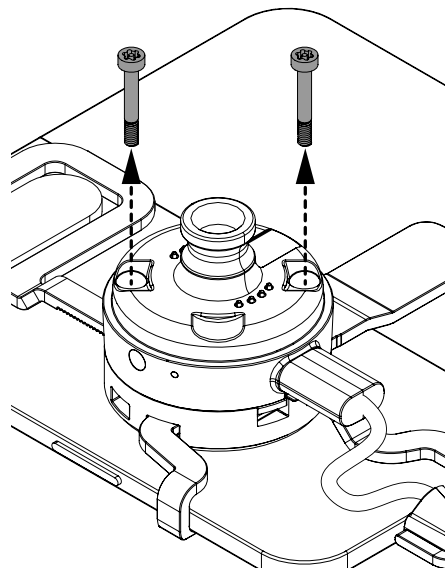
2 Place a charged and coded OneKEY against the lens on the side of the sensor. Press the button on the Key to deactivate the alarm.



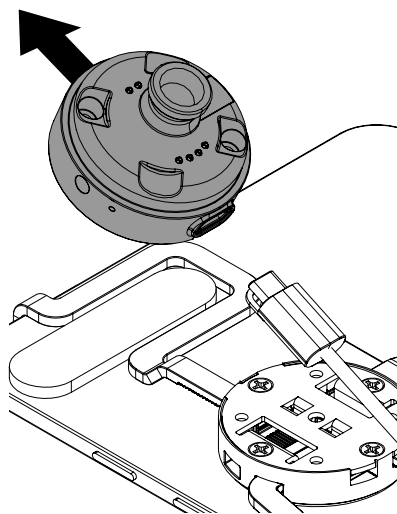
3 Place the magnet key (DBG400) into the depression on the sensor and push it inward to release the sensor cable. Pull the cable free.



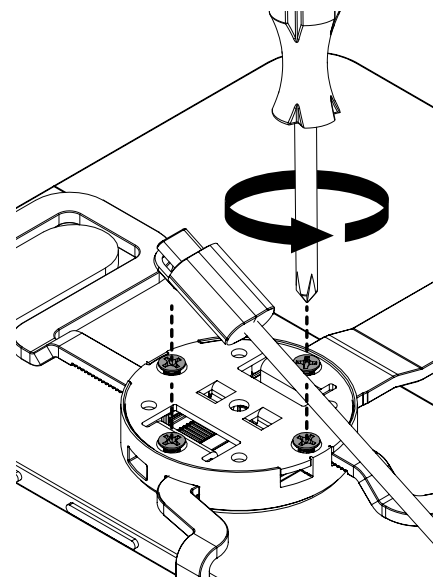
4 Use a T20 bit to remove the screws holding the sensor to the bracket plate. Set aside for reinstallation.



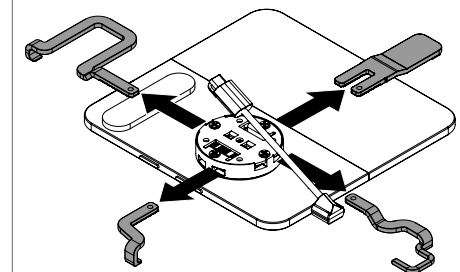
5 Lift the sensor from the bracket plate and plug the OnePOD sensor from the power connector.



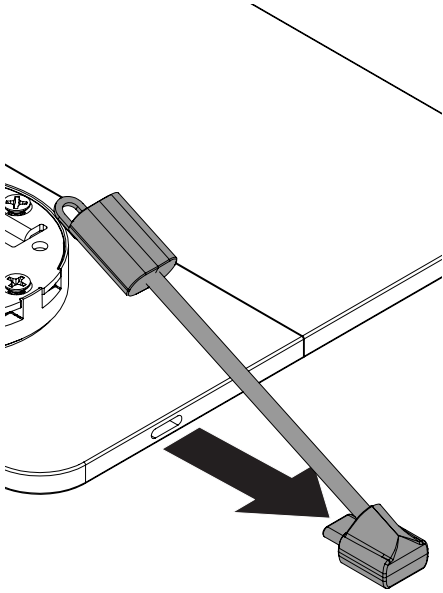
6 Loosen the 4 screws on the back of the bracket plate.



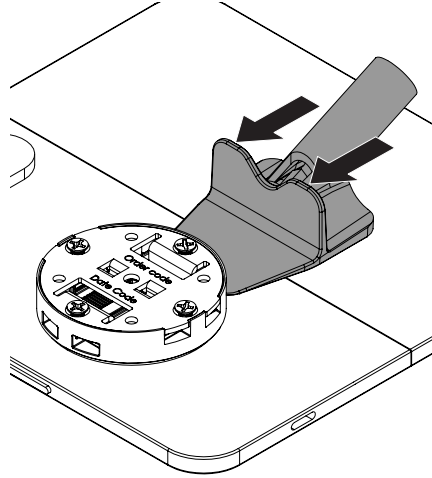
7 Remove the 4 arms from the bracket plate. Set aside all arms except the top arm for reinstallation. The top arm can be discarded if desired.



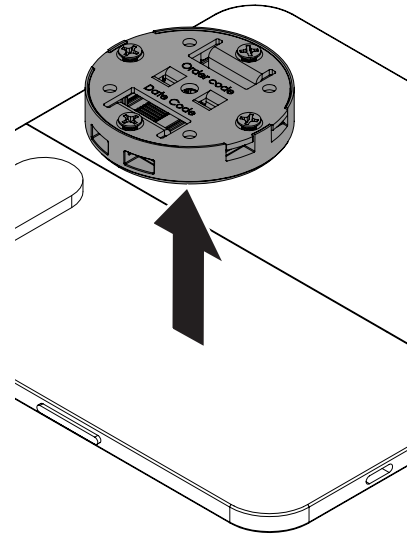
- 8 Unplug the power connector from the device.



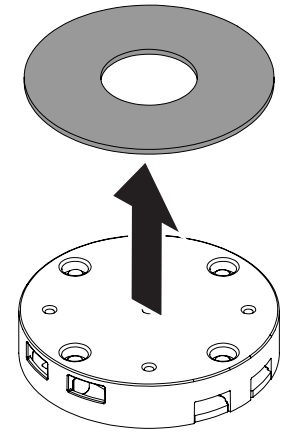
- 9 Insert the edge of the scraper removal tool (DNTX93) between the bracket plate and the device. Carefully work the removal tool back and forth to break the adhesive bond.



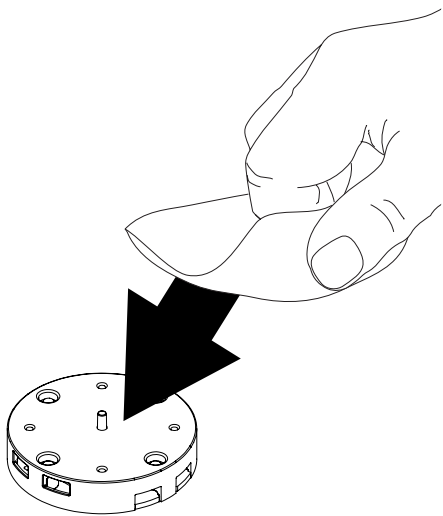
- 10 Remove the bracket plate from the device.



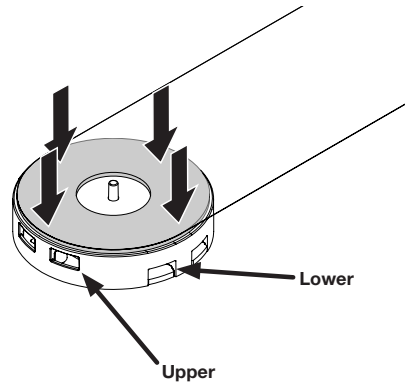
- 11 Remove the old adhesive from the bracket plate.



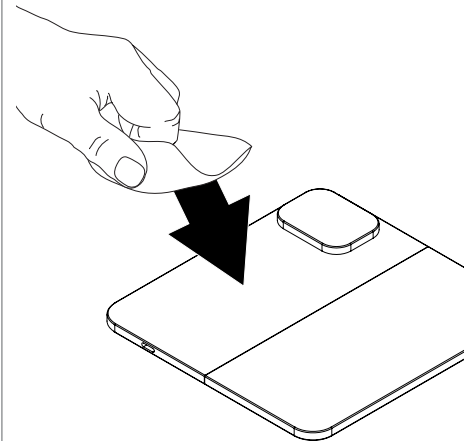
- 12 Use an alcohol wipe to clean any adhesive residue from the bracket plate. Allow it to dry completely.



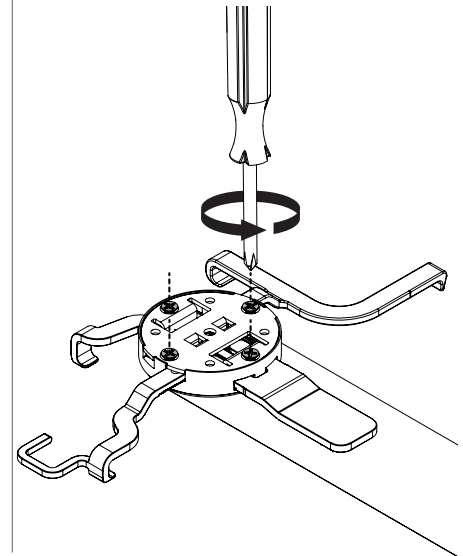
- 13 Place the adhesive included in the DBH706-B single arm kit onto the bracket plate, ensuring the pull tab will face in the same direction as the "upper" holes on the bracket plate. Apply pressure and smooth the adhesive onto the bracket plate. The bracket plate is now ready for installation.



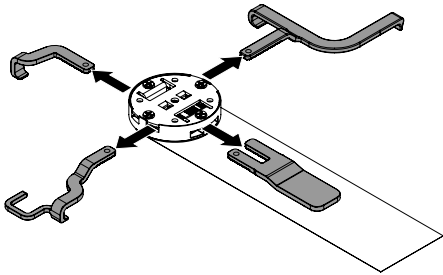
- 14 **Reinstallation Using DBH730-B / Installation of DBH645-W:**
Use an alcohol wipe to clean the back of the device, on the side that has the camera. Allow it to dry completely.



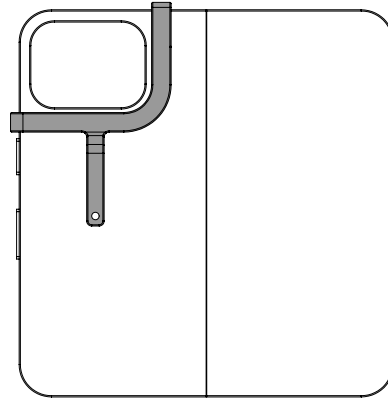
- 15a Loosen the 4 screws on the arm bracket plate.
Note: This step only applies to DBH645-W installations.



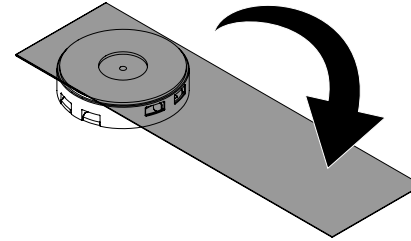
15b Slide the arms out of the bracket plate.
Note: This step only applies to **DBH645-W** installations.



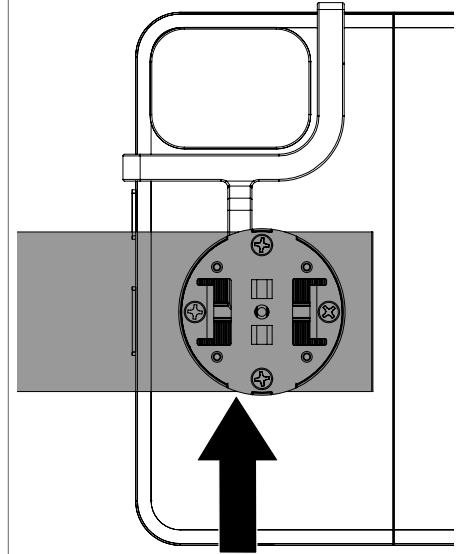
16 Fit the top bracket arm around the top of the device. The image below shows the back of the device.



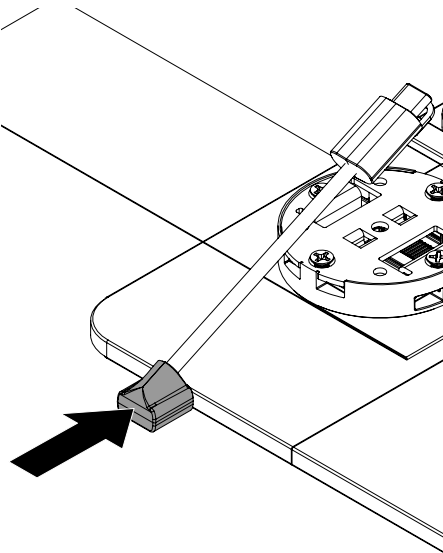
17 Fold the pull tab over the adhesive.



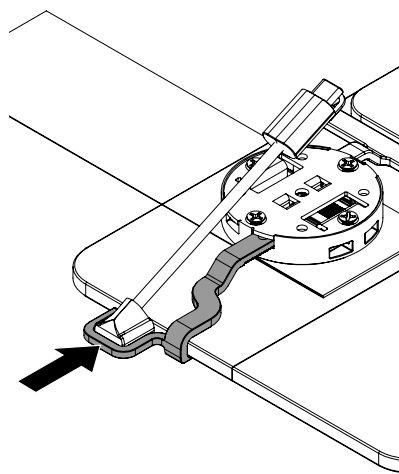
18 Slide the bracket plate onto the arm as shown below. Ensure that the pull tab of the adhesive is facing away from the center of the device.



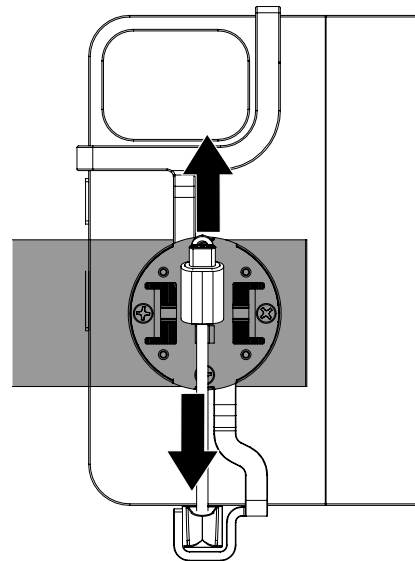
19 Plug the USB-C power connector into the device.



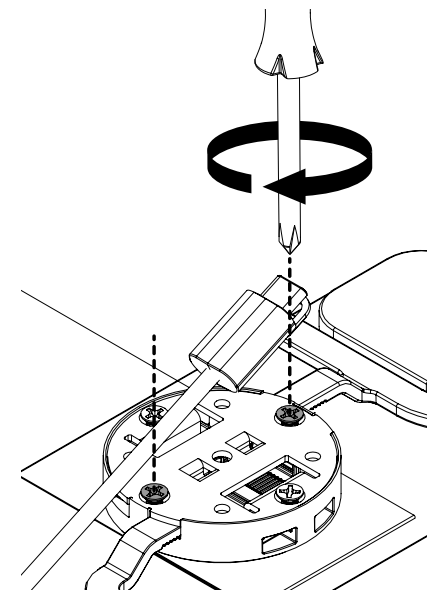
20 Insert the bottom arm so that it fits around the power connector and the device.



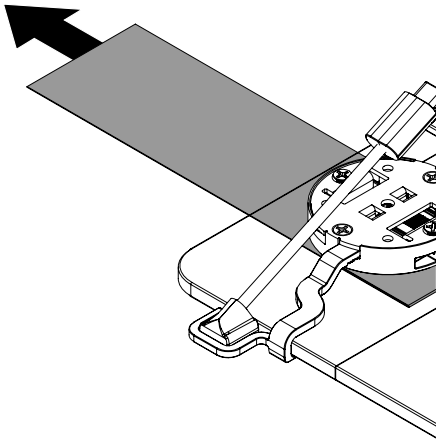
21 Adjust the bracket plate so that it is fully engaged with the 2 arms.



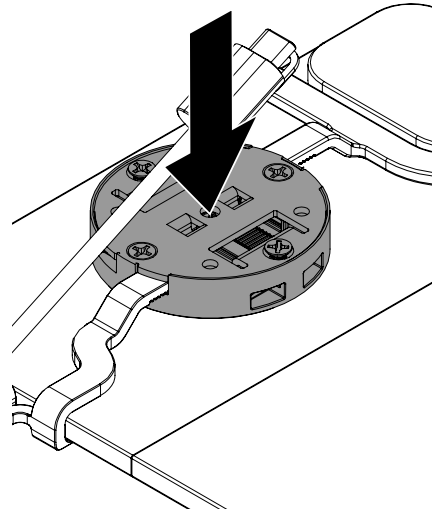
22 Tighten the 2 screws.



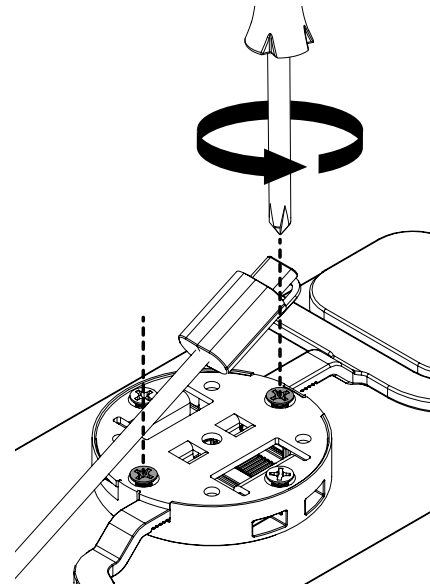
23 Pull the tab to expose the adhesive.



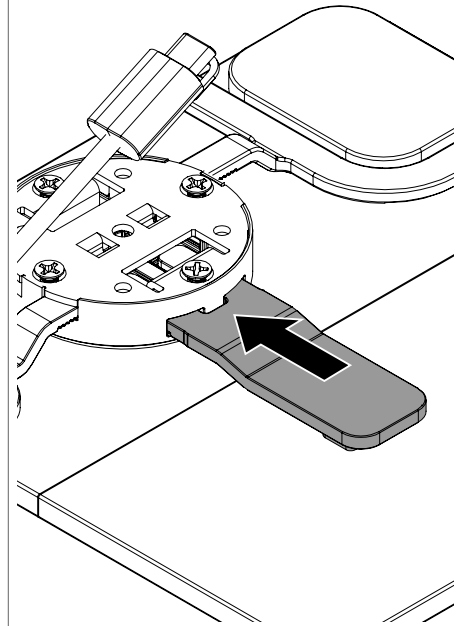
24 Press the bracket plate against the device for at least 10 seconds.



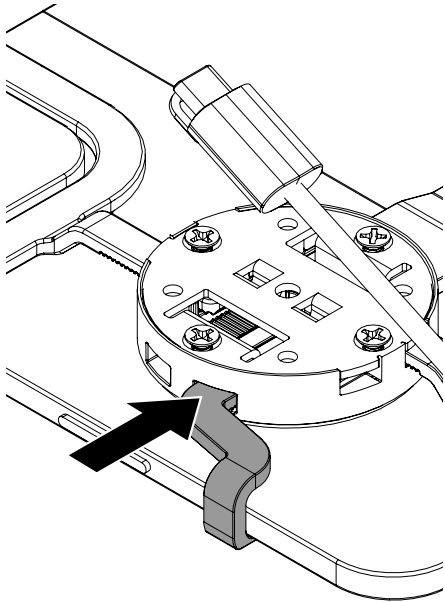
25 Loosen the 2 screws that were previously tightened.



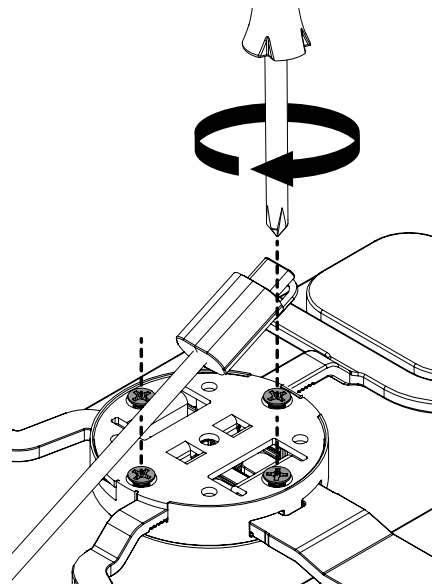
26 Insert the support arm into the bracket plate.



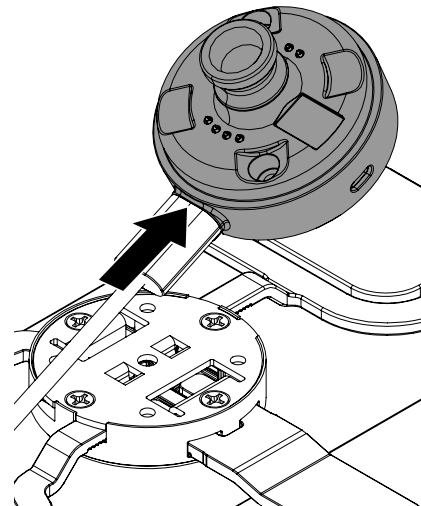
27 Insert the short arm into the bracket plate.



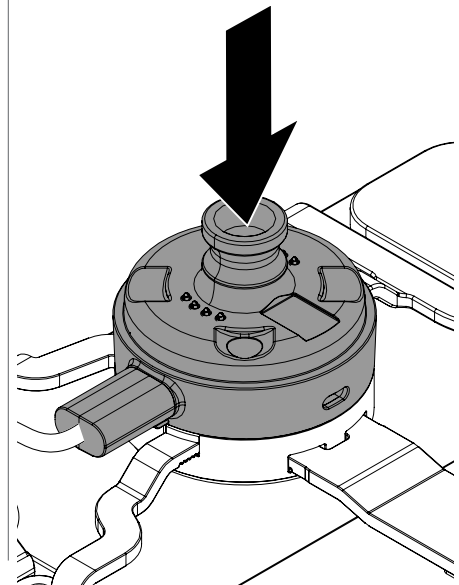
28 Tighten all 4 screws on the bracket plate.



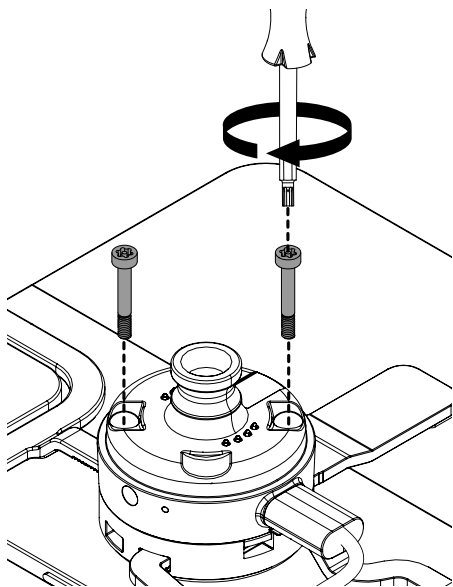
29 Plug the power connector into a OnePOD sensor.



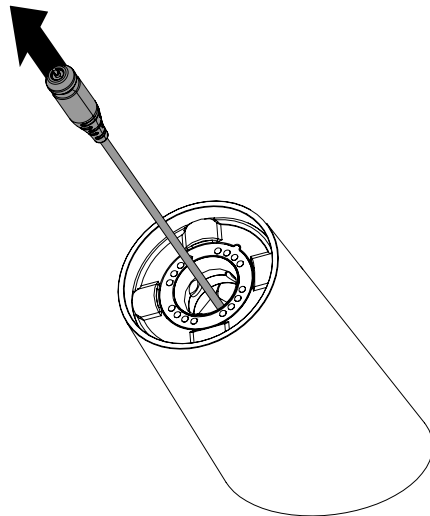
30 Place the OnePOD sensor onto the bracket plate.



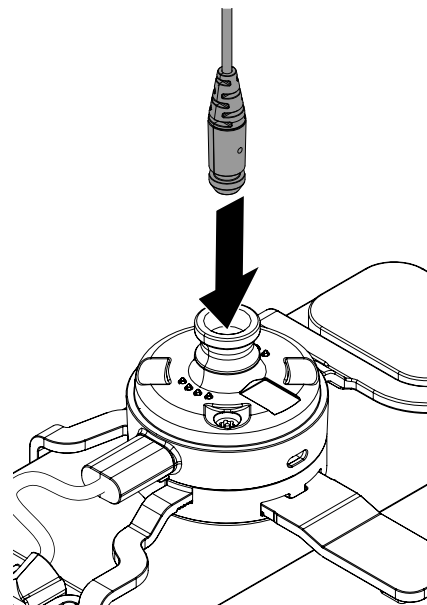
- 31 Secure the sensor to the bracket plate using the 2 screws provided with the bracket plate. Tighten the screws using a T20 bit.



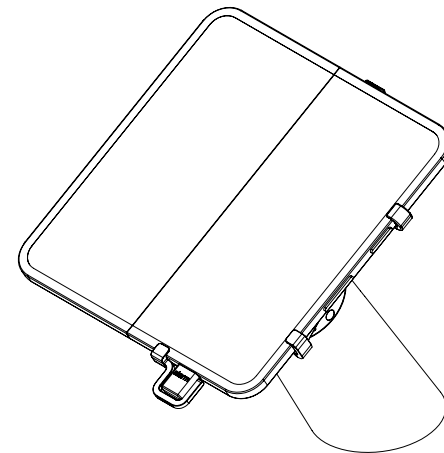
- 32 Pull the sensor cable from the stand.



- 33 Plug the sensor cable into the sensor.



- 34 Place the device and sensor onto the stand.



SD0964 Rev0 05/30/24



SABEL

1300 551 662

E info@sabel.com.au