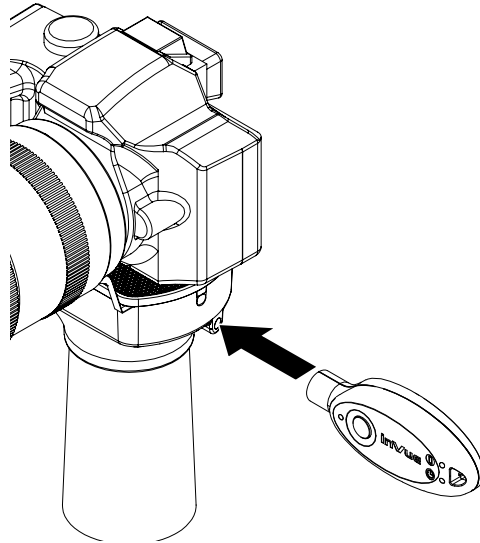
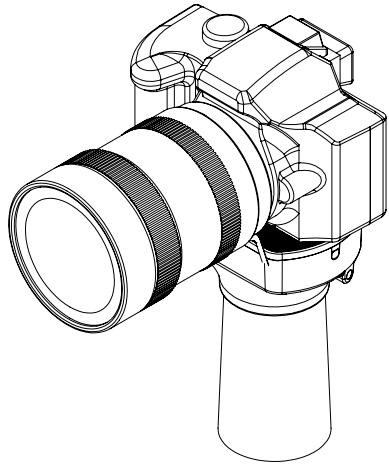


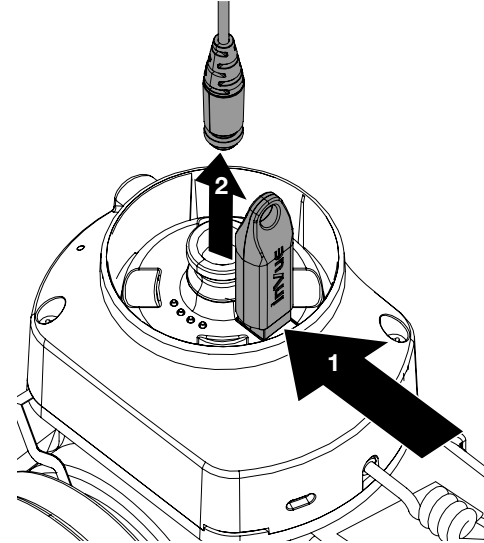
OnePOD Camera

Powered Camera Sensor DBD220-B/W

Nightly Removal Instructions



- 1 Place a charged and coded OneKEY against the lens on the side of the camera sensor. Press the button on the key to deactivate the sensor.



- 2 Remove the sensor and device from the stand. Place the magnet key (DBG400 or DBG406) into the depression on the sensor and push it inward to release the sensor cable. Pull the cable free.



SD0631 Rev1 01/07/19



SABEL

1300 551 662
info@sabel.com.au