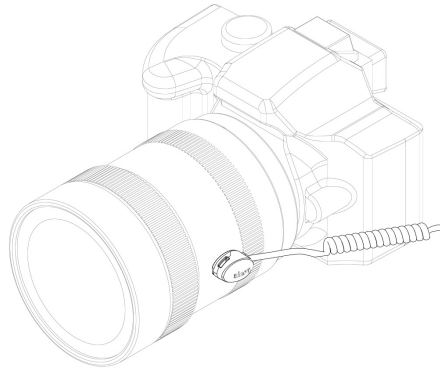


OnePOD Camera

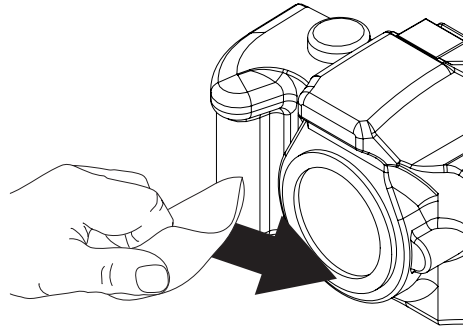
Powered Camera Sensor DBD220-B/W

Lens Sensors Installation

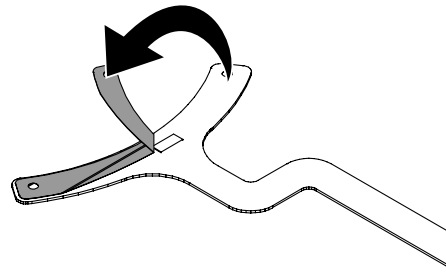


If using a Hidden lens flex sensor

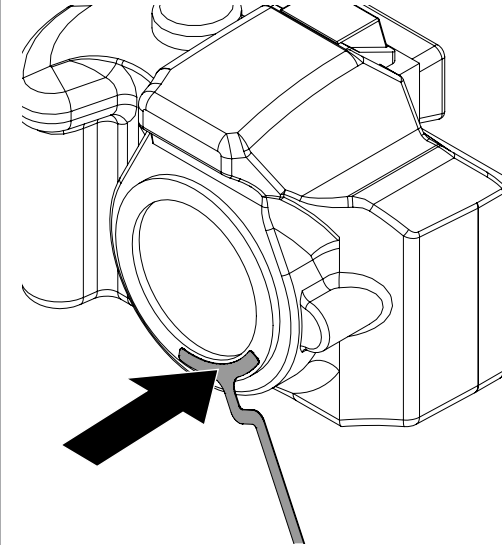
- 1a** Use the provided alcohol wipe to clean the rim where the lens will dock. Allow it to dry completely.



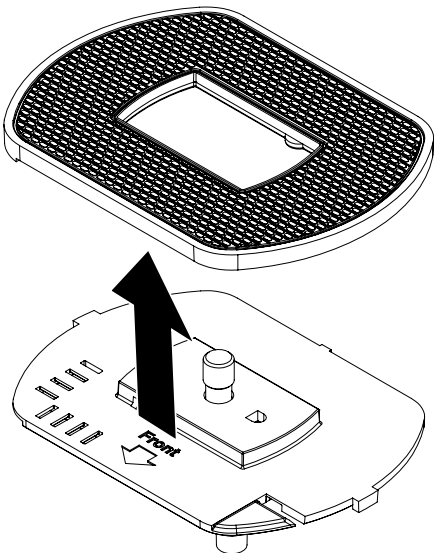
- 1b** Peel the clear film from the flex sensor.



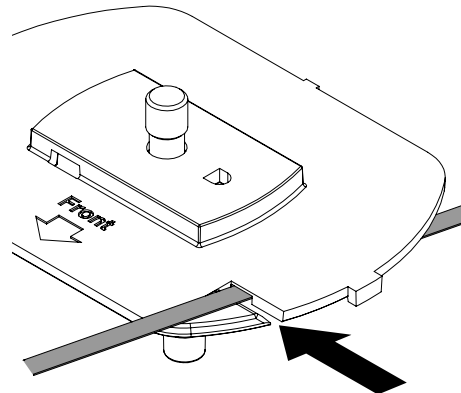
- 1c** Place the flex sensor so that it will angle away from the side of the camera with the battery. Apply pressure for at least 10 seconds.
Note: Do not place the sensor over the lens release button(s).



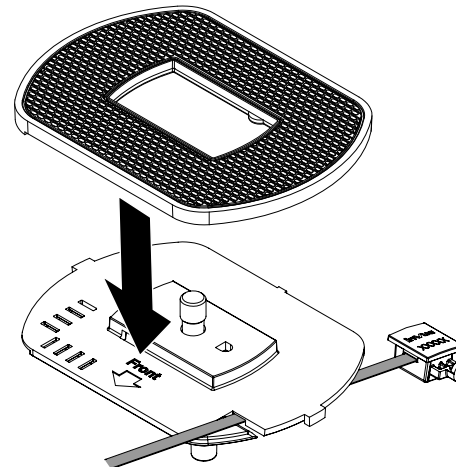
- 1d** Remove the rubber pad from the mounting plate.



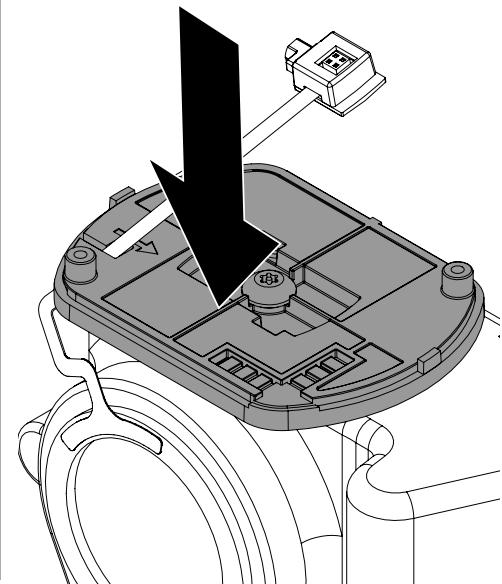
- 1e** Route the flex sensor through the slot in the mounting plate.



- 1f** Place the rubber pad back onto the mounting plate.
Note: Make sure that the alignment features (arrows with the word "front") on both the mounting plate and rubber pad are facing the same direction.

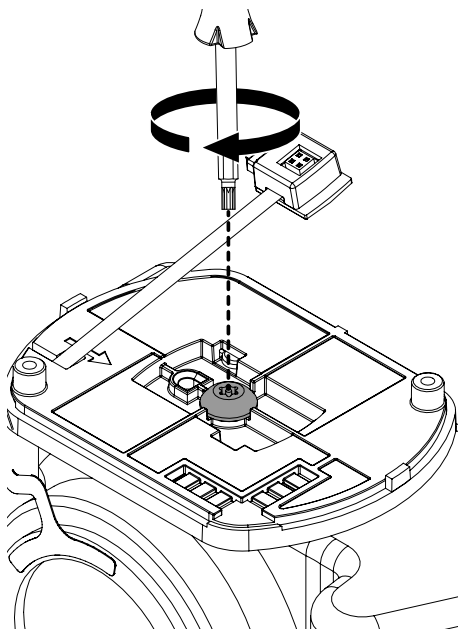


- 1g** Place the mounting plate assembly onto the bottom of the camera. Align the screw on the plate with the hole in the bottom of the camera.



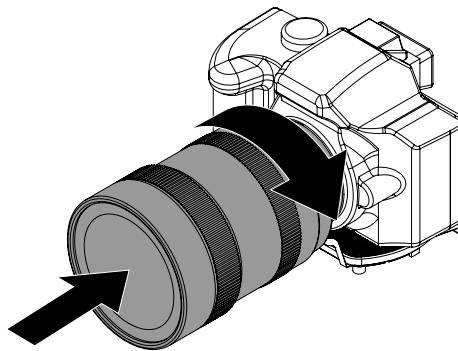
1h

Tighten the screw using a TT20 bit.



1i

Attach the camera lens that is to be displayed.

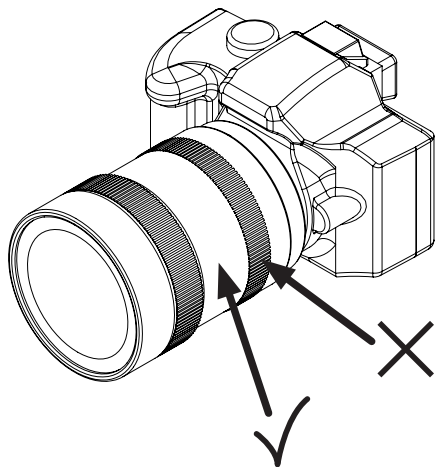


If not using a secondary adhesive sensor, skip the following steps and go directly to step number 3.

If using a Secondary adhesive sensor

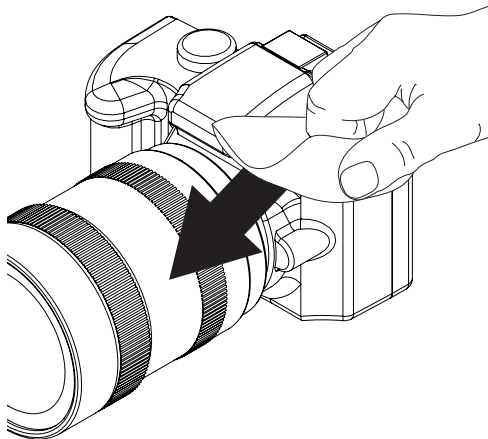
2a

Determine where the sensor will be placed on the camera lens. Ideally, this will be a place on the lens that is smooth and will not move too far when the lens is twisted.



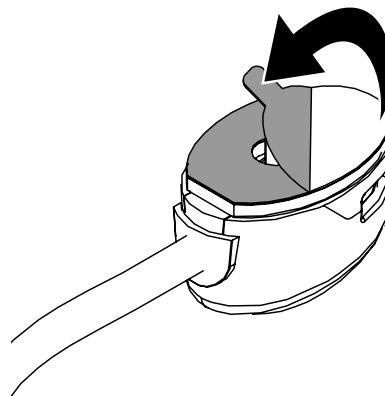
2b

Use the provided alcohol wipe to clean the lens where the sensor will be placed. Allow it to dry completely.



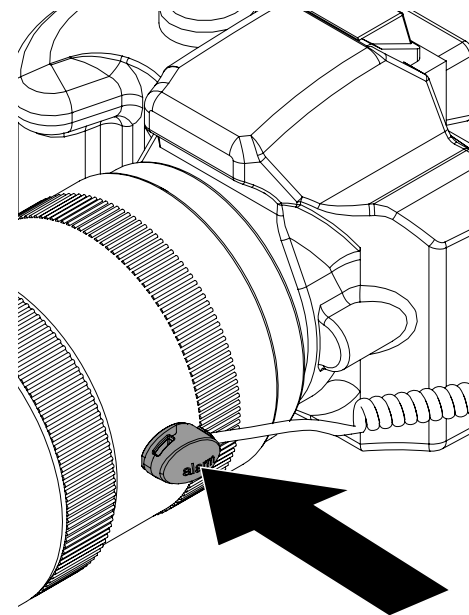
2c

Peel the clear film from the adhesive on the bottom of the sensor.

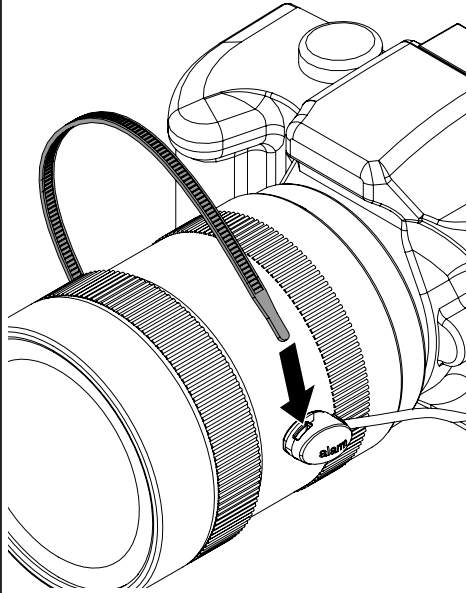


2d

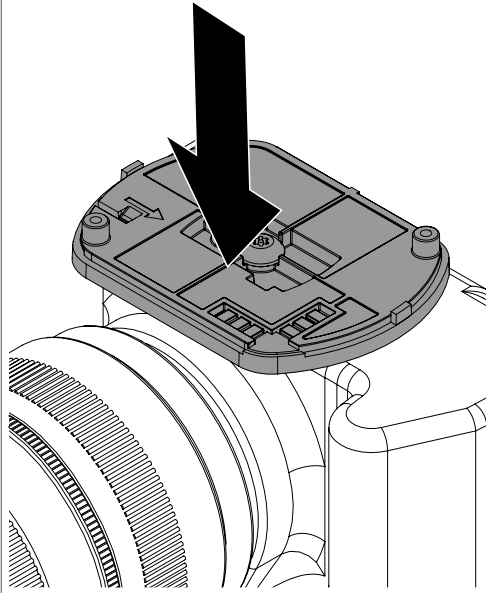
Place the sensor against the lens and apply pressure for at least 10 secs.



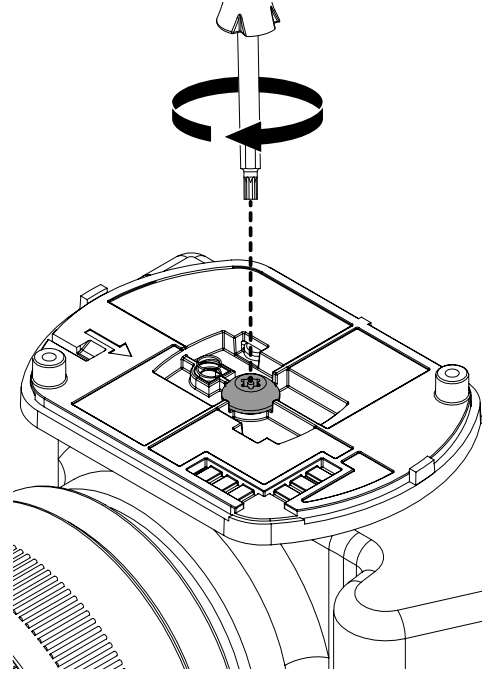
2e Insert the provided zip tie through the hole in the sensor. Pull the zip tie tight and trim any excess.



2f Place the mounting plate assembly onto the bottom of the camera. Align the screw on the plate with the hole in the bottom of the camera.



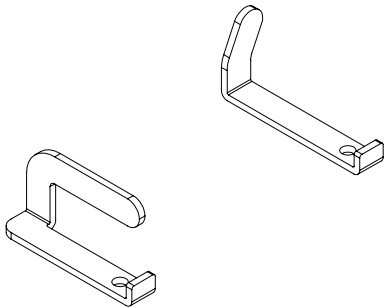
2g Tighten the screw using a TT20 bit.



3. Optional

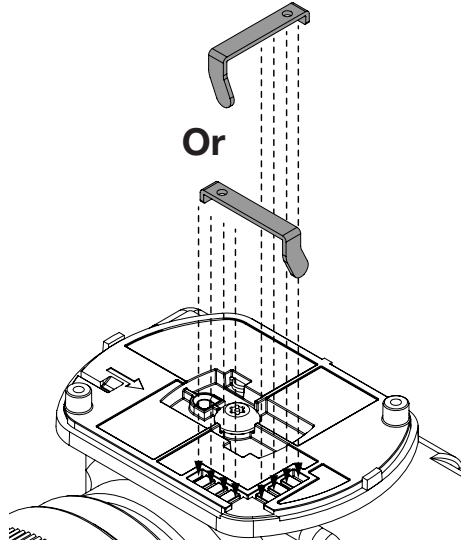
if not using a button blocker bracket (refer to camera body sensor instructions for more info)

3a To prevent the camera from being rotated on the sensor, 2 anti-rotation brackets are provided.

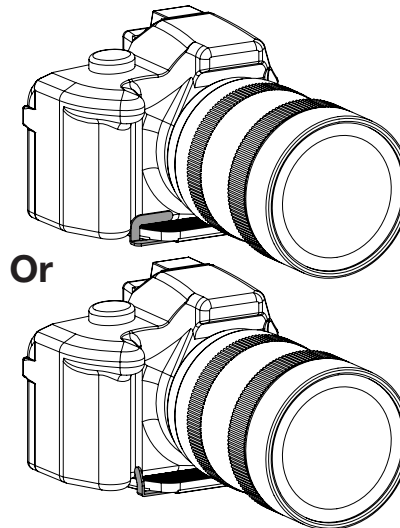


3b Insert the anti-rotation bracket, whichever best matches the shape of the camera, into the bottom of mounting plate.

Note: Orientation and position will depend on camera model and shape.

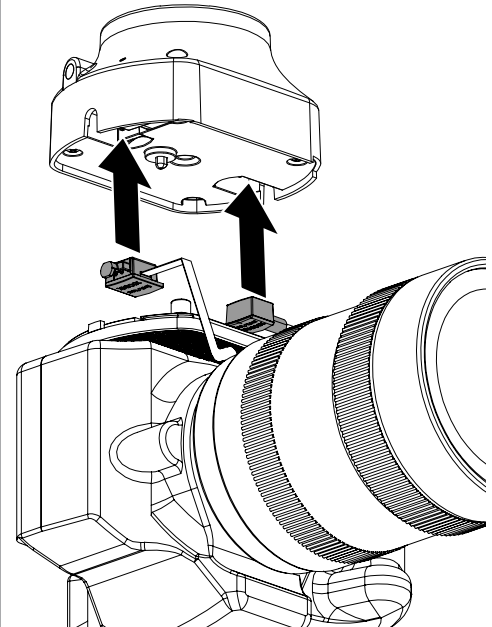


3c For the best experience, make sure that the anti-rotation bracket holds the camera in place as much as possible.

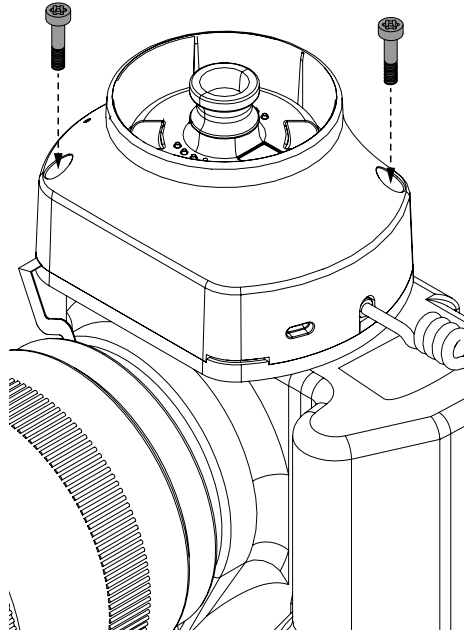


Note: More options are possible than what is shown here. Position, orientation and the bracket used will depend on the camera being displayed

4 Plug the power connector and lens sensor (if used) into the other half of the sensor housing.



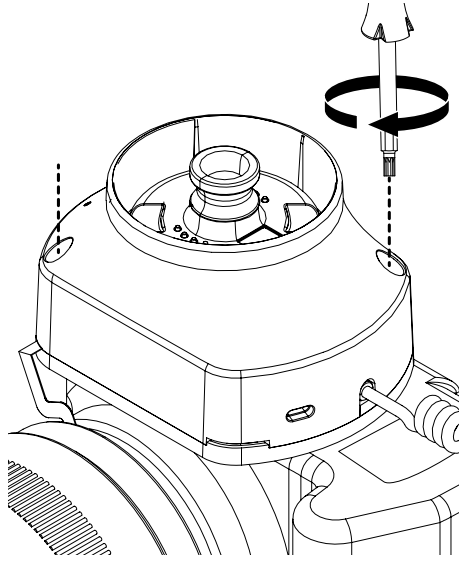
5 Insert the 2 screws into the bottom of the sensor housing.



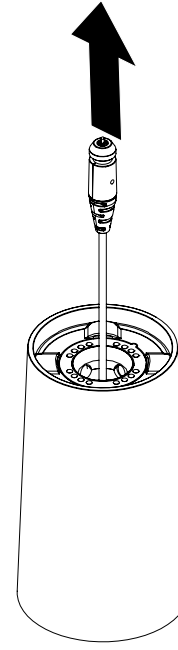
6 Tighten the 2 screws with the TT20 bit.



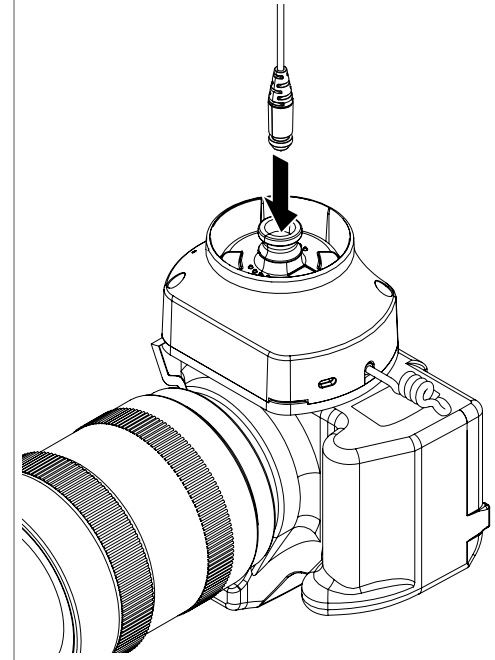
Note: Do NOT overtighten, as damage to the sensor could occur.



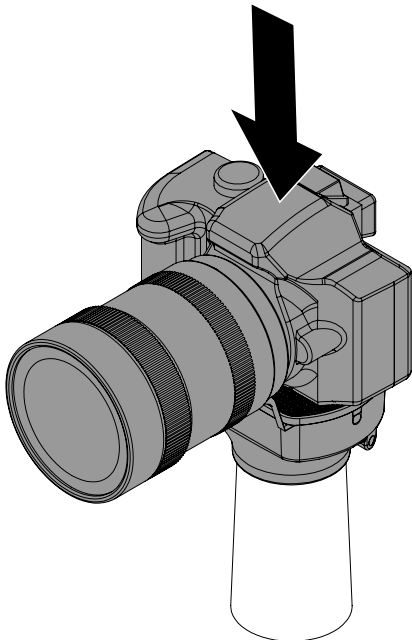
7 Pull the sensor cable from the previously installed OnePOD stand.



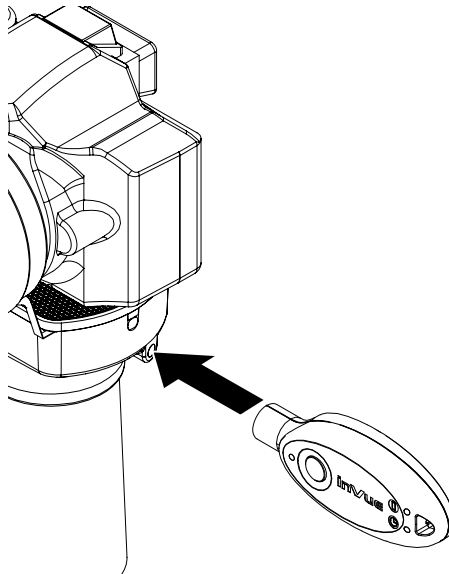
8 Plug the sensor cable into the bottom of the camera sensor.



9 Place the camera and sensor onto the OnePOD stand.



10 Place a charged and coded OneKEY against the lens on the side of the camera sensor. Press the button on the key to transfer the store's code to the sensor.



SD0631 Rev1 01/07/19



SABEL

1300 551 662
info@sabel.com.au