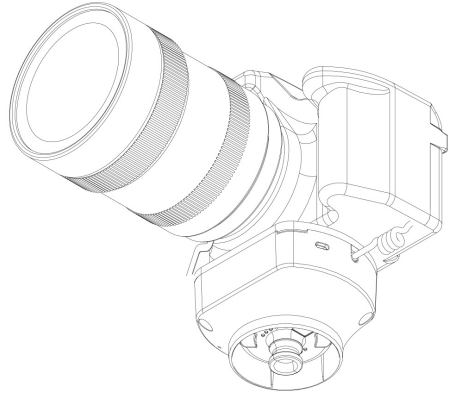


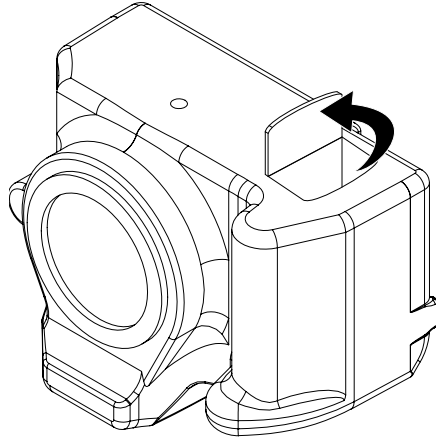
OnePOD Camera

Powered Camera Sensor DBD220-B/W

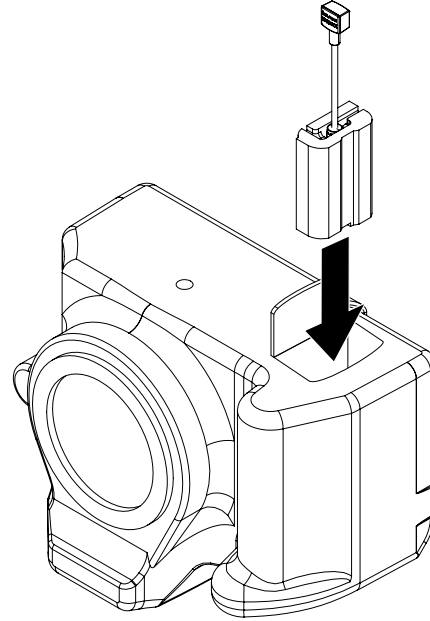
Camera Body Sensor Installation



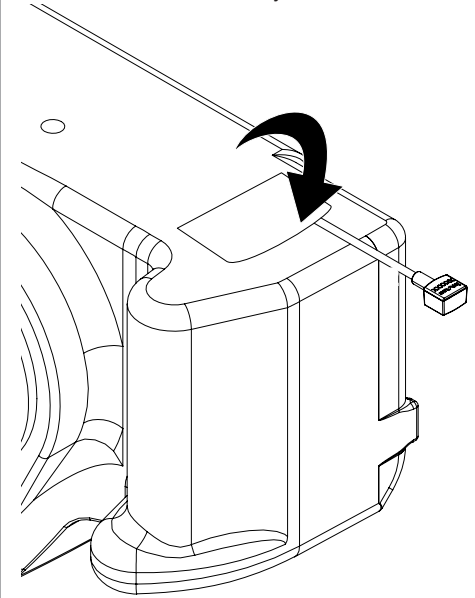
1 Open the door to the battery bay on the bottom of the camera.



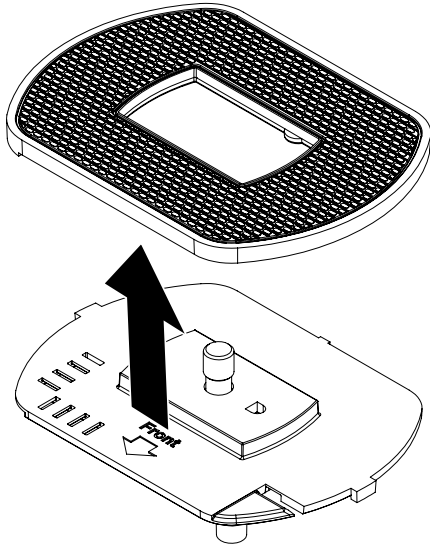
2 Insert the power adapter (the power adapter may look different depending on your camera model).



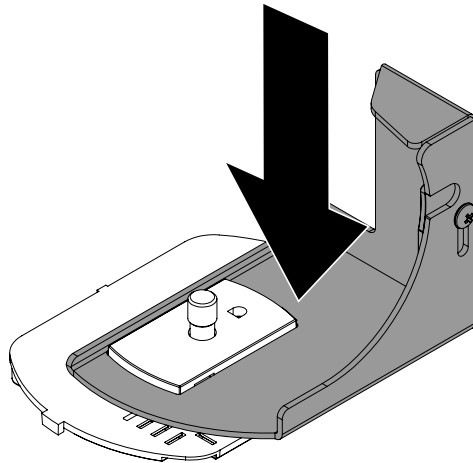
3 Route the cable out the side of the battery bay (some cameras may have a flange or trapdoor to aid this). Close the battery door.



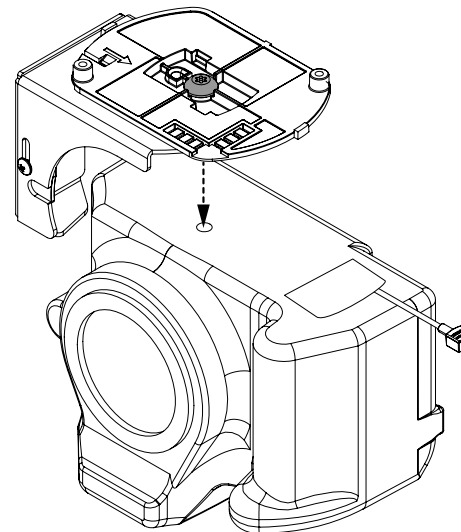
4a **If using a button blocker bracket:** Remove the rubber pad from the mounting plate.
Note: The rubber pad will not be needed for this installation.



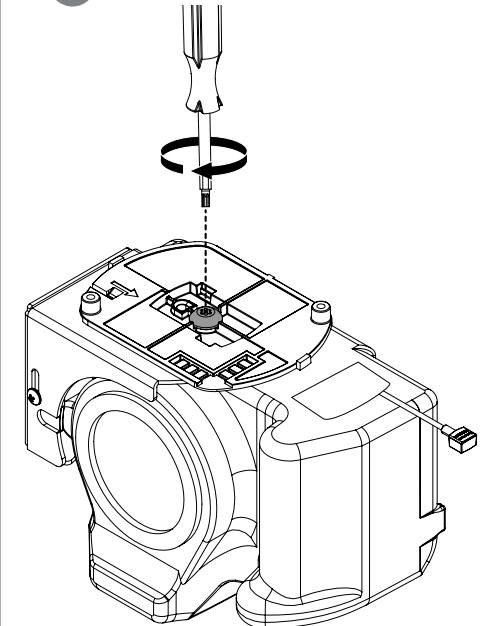
4b Place the blocker bracket onto the mounting plate.



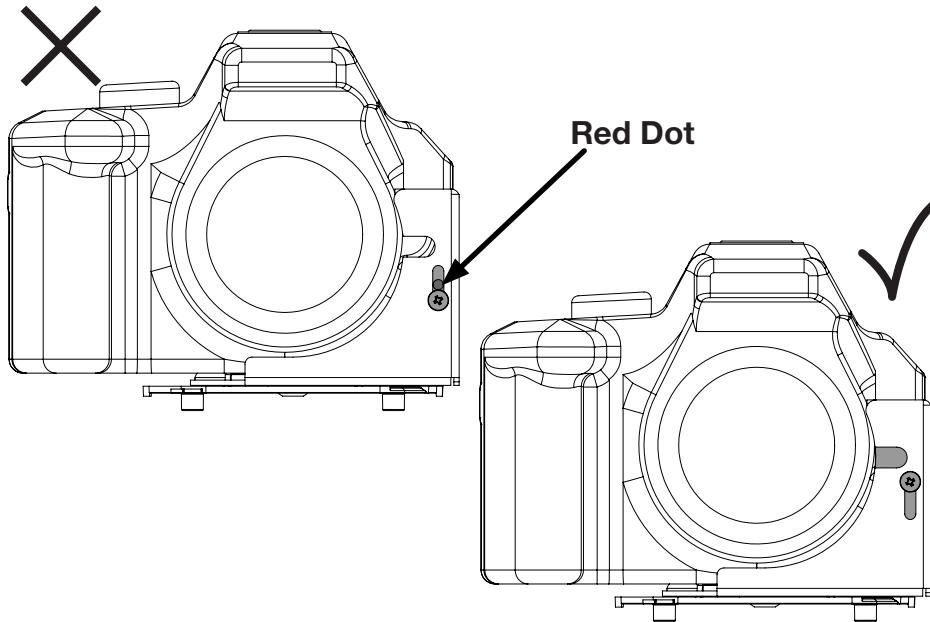
4c Place the mounting plate assembly onto the bottom of the camera. Align the screw on the plate with the hole in the bottom of the camera.



4d Tighten the screw using a TT20 bit.



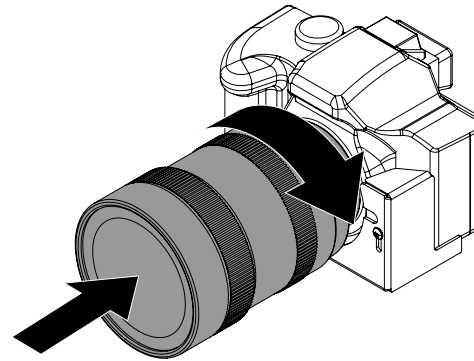
- 4e If present, make sure that the panel on the blocker bracket is covering the lens release button on the camera. If you can see the red dot, the panel is not in position. Insert a screwdriver into the screw, slide the panel into position and tighten the screw to secure the panel.



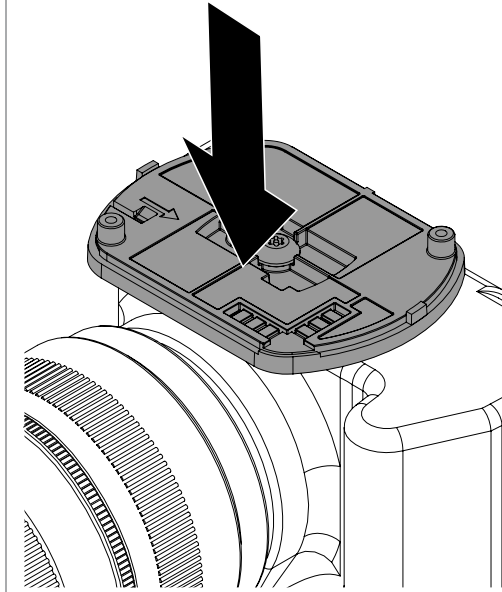
- 5 If the camera has interchangeable lenses, please see the lens sensors installation guide to secure the lenses.

Or

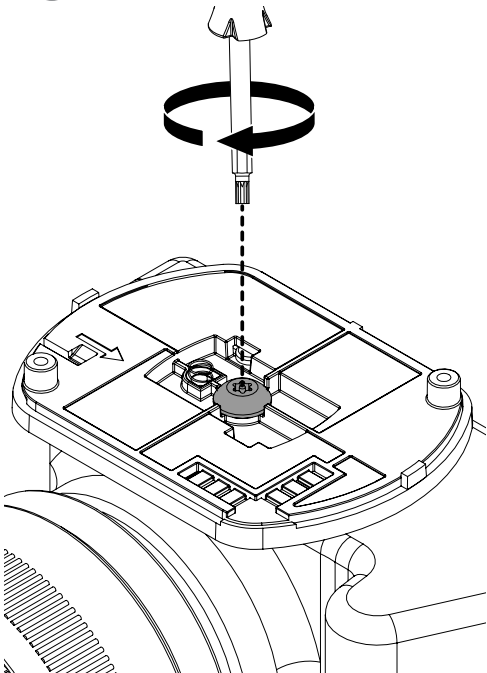
Attach the camera lens that is to be displayed.



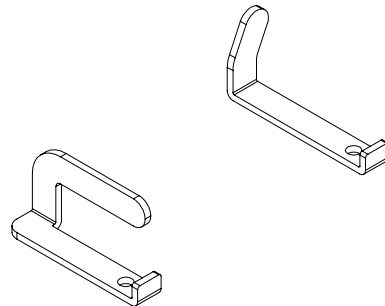
- 6a Place the mounting plate assembly onto the bottom of the camera. Align the screw on the plate with the hole in the bottom of the camera.



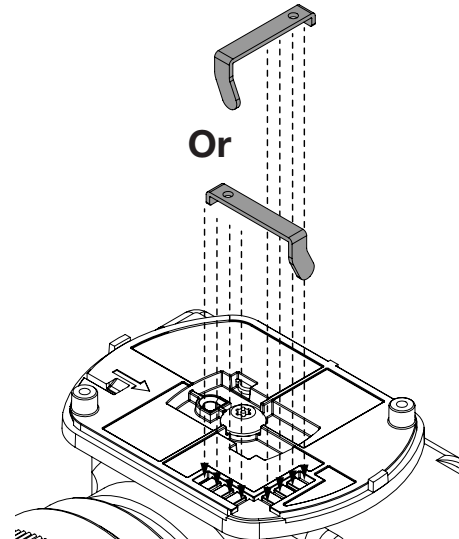
- 6b Tighten the screw using a TT20 bit.



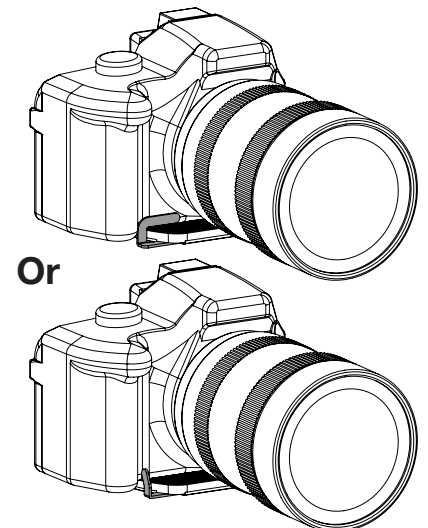
- 7a **Optional - If NOT using a button blocker bracket:** To prevent the camera from being rotated on the sensor, 2 anti-rotation brackets are provided.



- 7b Insert the anti-rotation bracket, whichever best matches the shape of the camera, into the bottom of mounting plate.
- Note:** Orientation and position will depend on camera model and shape.

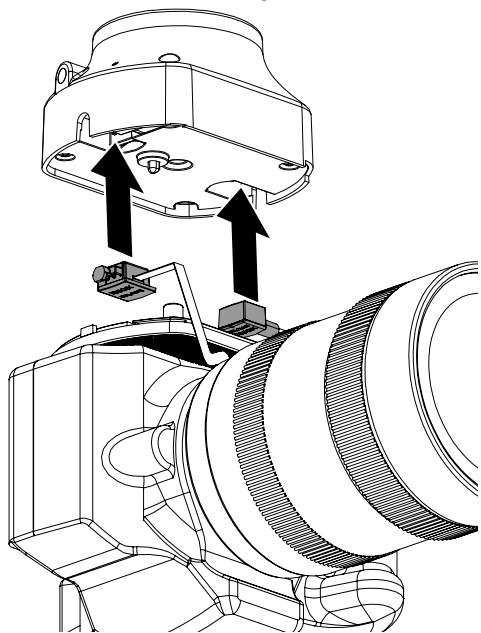


- 7c For the best experience, make sure that the anti-rotation bracket holds the camera in place as much as possible.

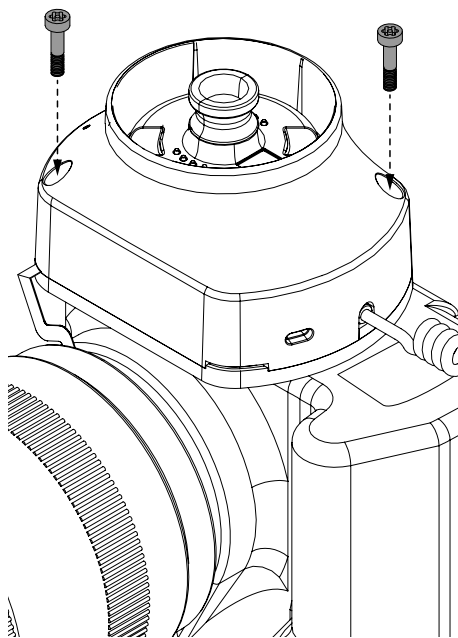


Note: More options are possible than what is shown here. Position, orientation and the bracket used will depend on the camera being displayed

8 Plug the power connector and lens sensor (if used) into the other half of the sensor housing.



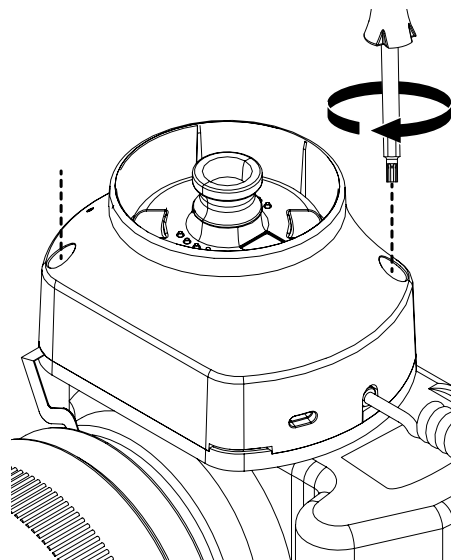
9 Insert the 2 screws into the bottom of the sensor housing.



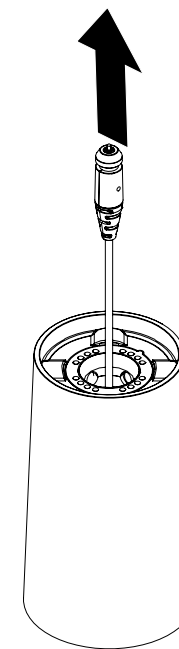
10 Tighten the 2 screws with the TT20 bit.



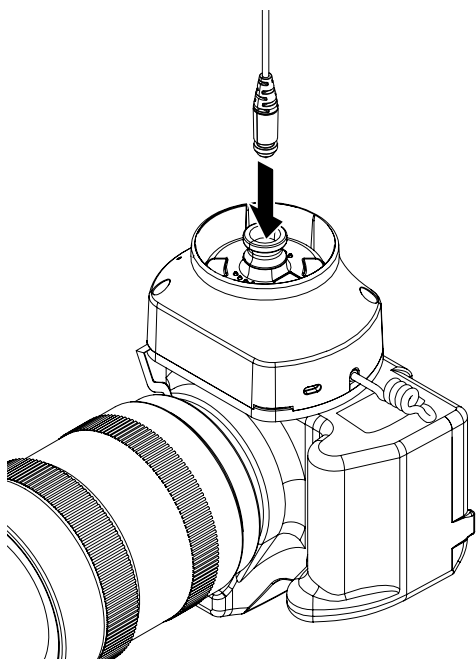
Note: Do NOT overtighten, as damage to the sensor could occur.



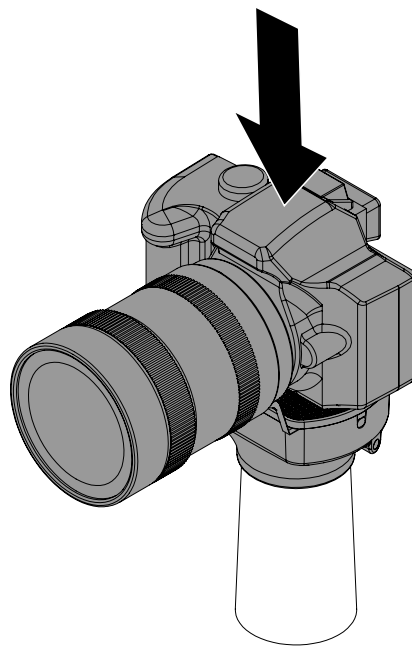
11 Pull the sensor cable from the previously installed OnePOD stand.



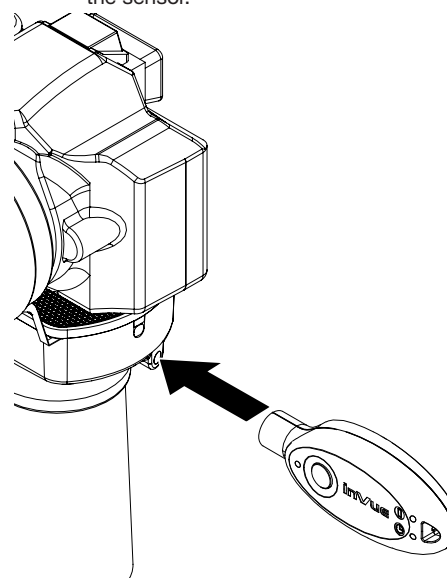
12 Plug the sensor cable into the bottom of the camera sensor.



13 Place the camera and sensor onto the OnePOD stand.



14 Place a charged and coded OneKEY against the lens on the side of the camera sensor. Press the button on the key to transfer the store's code to the sensor.



SD0631 Rev1 01/07/19



SABEL

1300 551 662
info@sabel.com.au