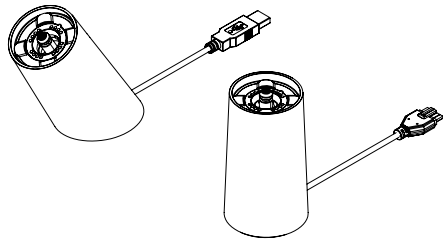
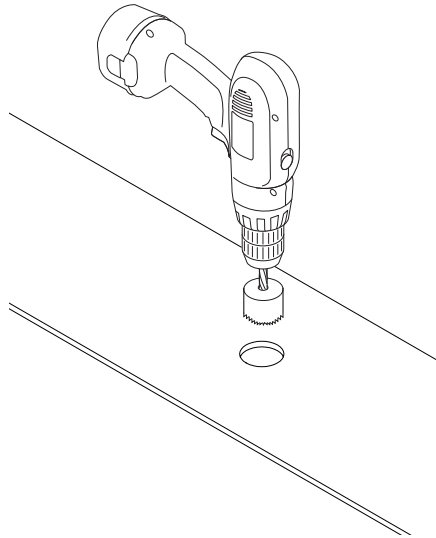


# One55 & One65

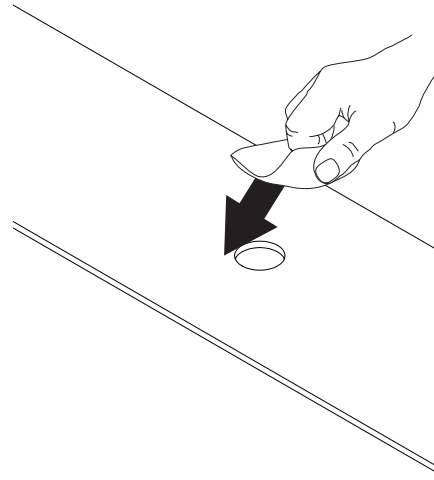
Angled and Flat Stands Installation



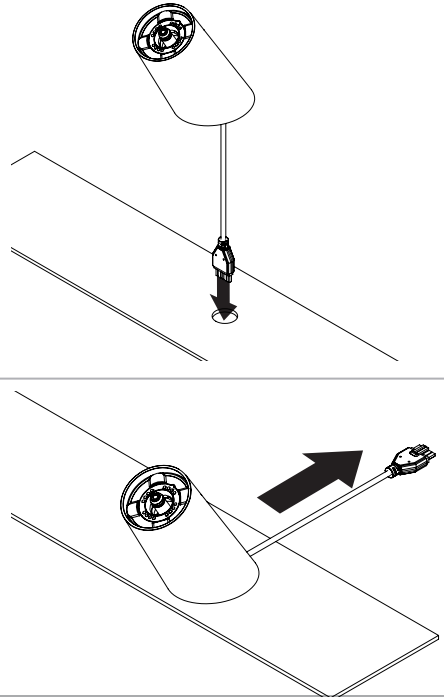
**1 Stand Installation:**  
If routing power cable through fixture, drill a 19mm minimum, 22mm maximum hole in the fixture. **Do NOT mount the stand over a hole larger than 22mm.**



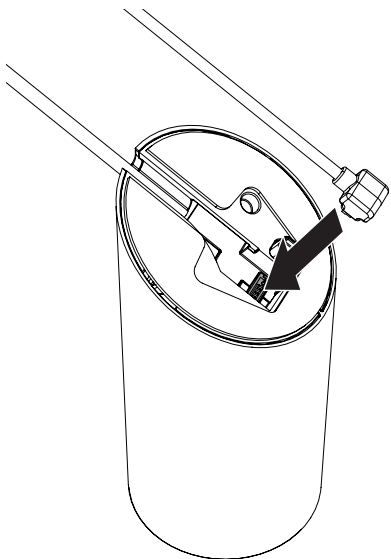
**2** Wipe fixture with alcohol pad. **Let fixture dry completely.**



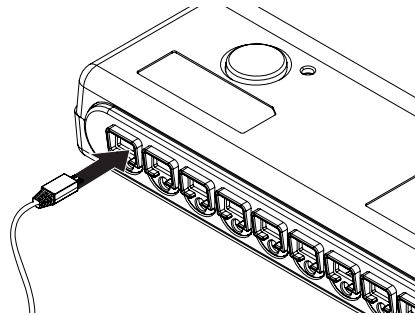
**3** Determine whether power cable will route through hole or above fixture.



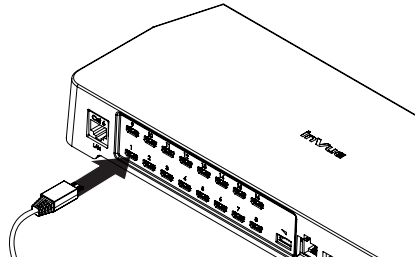
**4a Optional:**  
**If using a DIB or smart hub:**  
Plug the corresponding data cable into the port in the bottom of the stand.



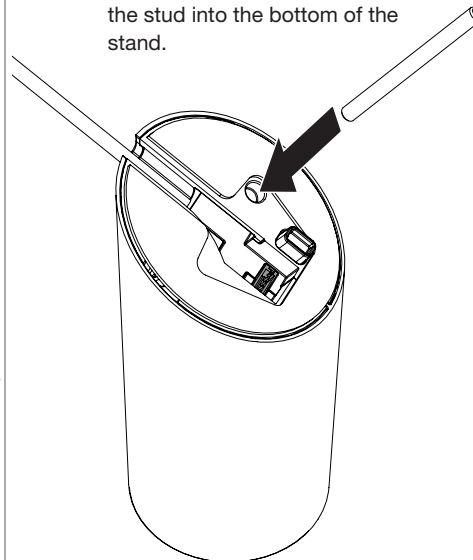
**4b If using a DIB or smart hub:**  
Plug the cable into the DIB box or smart hub.



OR

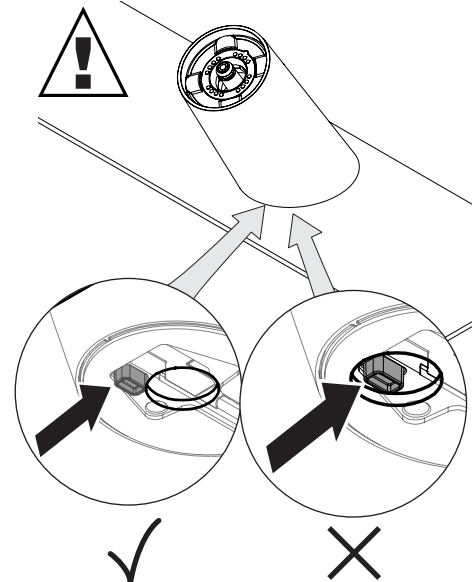


**5 Optional:**  
If using the stud mount kit, thread the stud into the bottom of the stand.

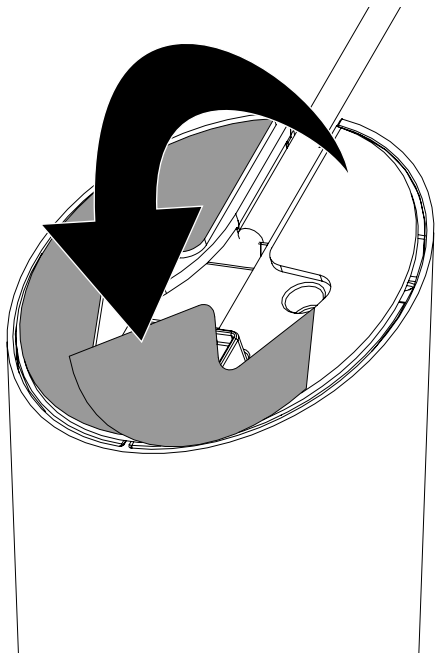


**Note:** If using the lock down feature on the stand, the use of the stud mount kit is recommended.

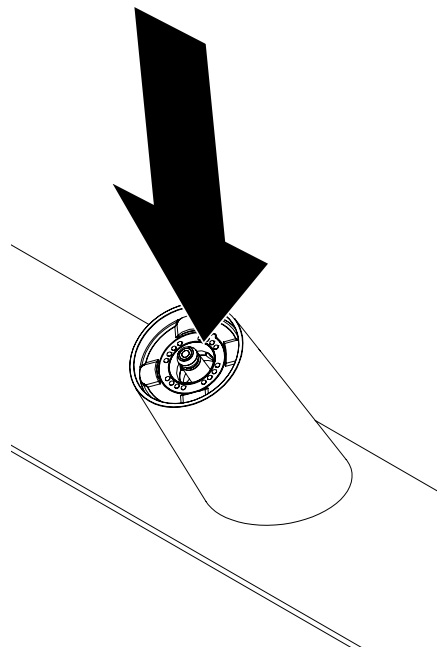
**6** Consider where the stand will be mounted. **Be sure the plunger on the bottom will press against the fixture surface.**



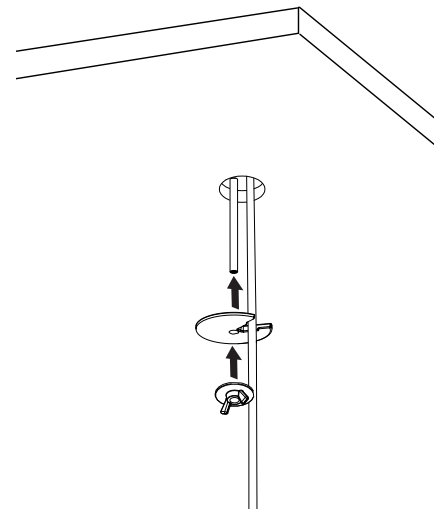
7 Remove clear film from adhesive.



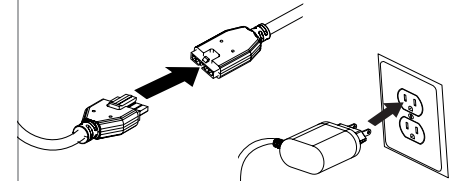
8 Press stand onto surface for at least 10 seconds.



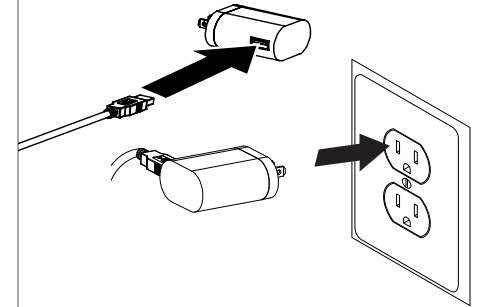
9 **Optional:**  
If using a stud mount kit, attach the plastic washer and wing nut to the stud below the fixture and tighten by hand to secure the stand to the fixture.



10 **Be sure power is applied in this order.** Plug the power cable into the power supply. Plug the power supply into the wall. The stand will chirp.



OR



11 See the instructions for the bracket arms and sensor to complete the installation.



SD0546 Rev4 03/09/18



**SABEL**

P 1300 551 662

E info@sabel.com.au

© 2020 InVue Security Products Inc. All rights reserved. InVue is a registered trademark of InVue Security Products.