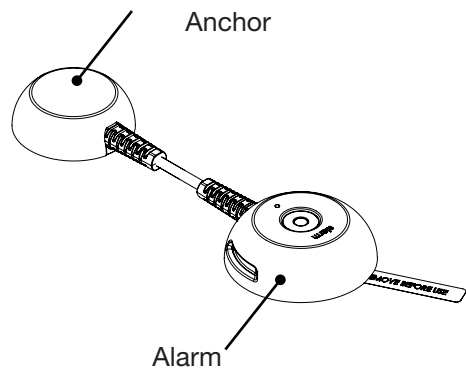
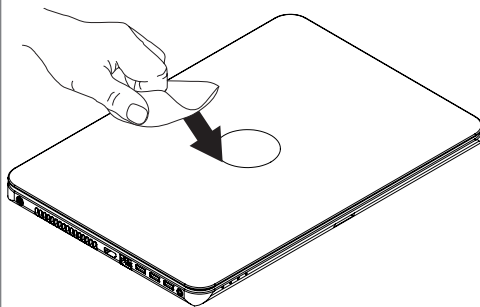


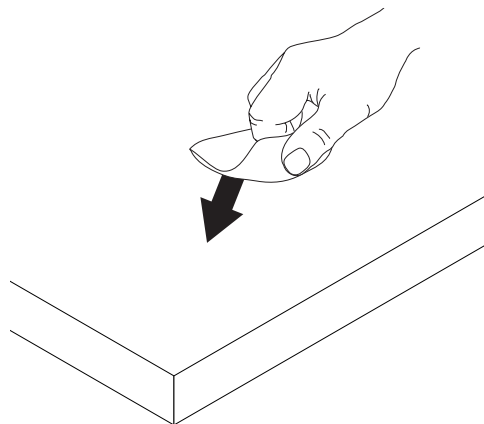
**Zips**  
Laptop - Alarm On Product  
ZL1000-B/W



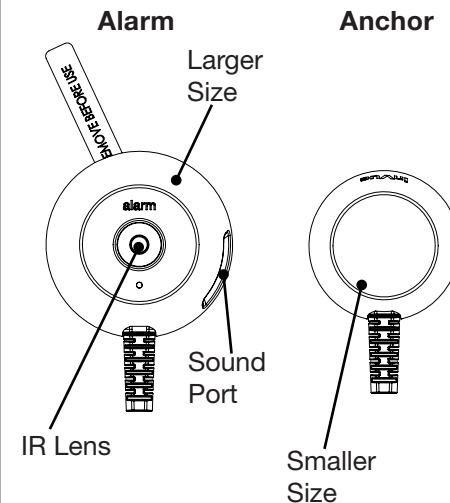
**1** With the laptop closed, clean the top with the provided alcohol wipe and allow it to dry completely.



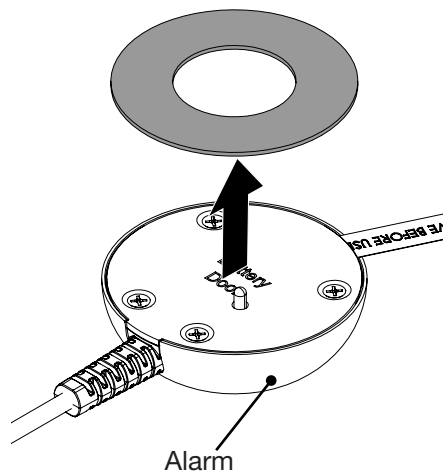
**2** Clean the fixture surface where the laptop will be displayed. Allow it to dry completely.



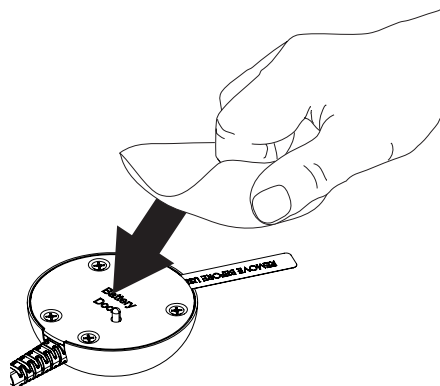
**3** Be sure you can identify the 2 different halves of the unit. The **ALARM** side can be identified by it's larger size, it also has the IR lens and the sound port on it. The **ANCHOR** side is smaller and almost completely smooth. While installing be sure to interact with the appropriate side.



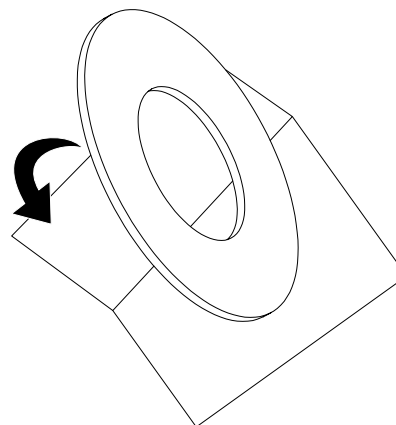
**4a** **Optional:**  
If the laptop being displayed has a curved back, remove the adhesive from the alarm side of the unit.



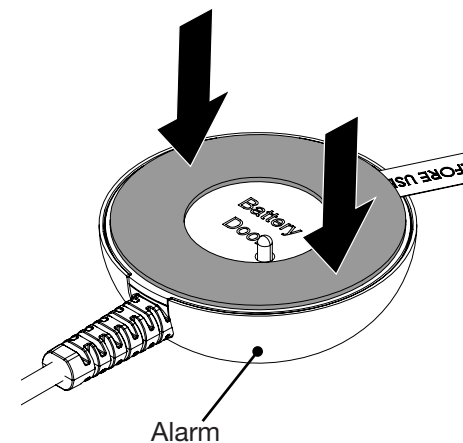
**4b** Clean the alarm side of the unit with the provided alcohol wipe. Allow it to dry completely.



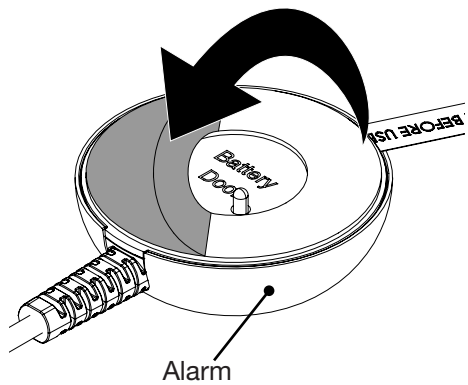
**4c** Remove one of the Curved Surface Adhesives (ADH2175) from it's backing.



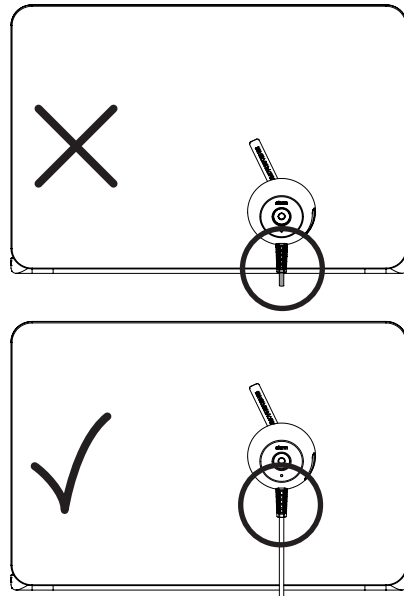
**4d** Place the Curved Surface Adhesive onto the alarm side. Apply pressure for at least 10 seconds.



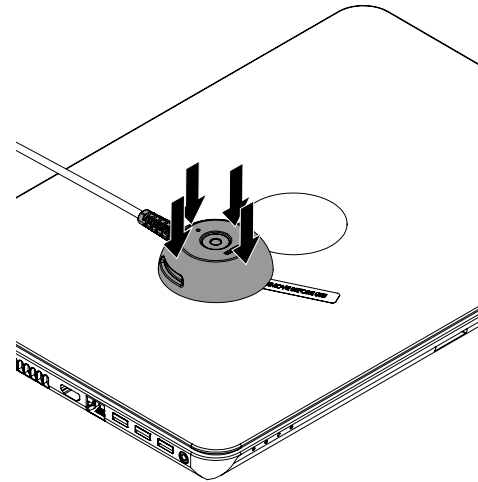
**5** Peel the clear film from the adhesive on the bottom of the alarm side.



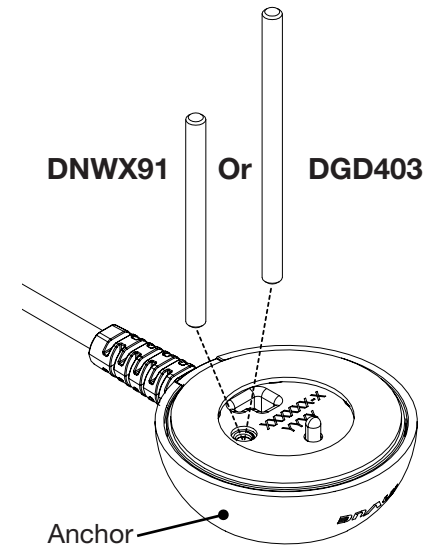
**6a** Determine where the alarm will be placed. Make sure that the cable will not be pinched when the laptop is opened.



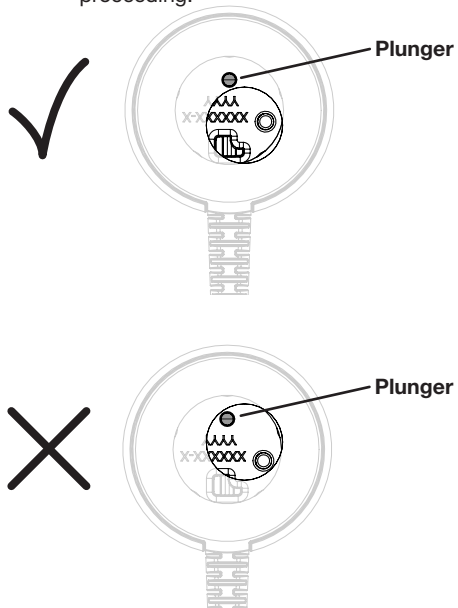
**6b** Place the alarm side onto the back of the laptop. The alarm can be placed as to not cover the logo if desired. Apply pressure for at least 10 seconds.



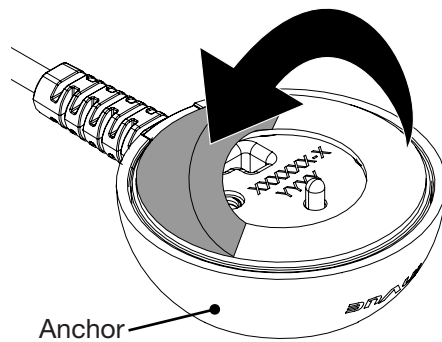
**7a** **Optional:** To stud mount (DNWX91 for thinner fixtures, DGD403 for thicker fixtures) the anchor to the fixture. Thread the stud into the bottom of the anchor side of the unit.



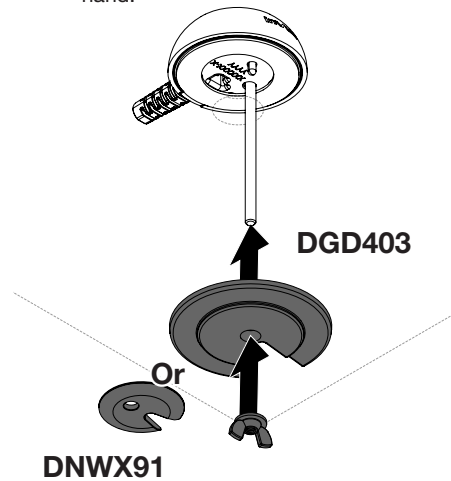
**7b** Be sure the plunger will sit against the surface and will not sit in the hole. Adjust the anchor if necessary before proceeding.



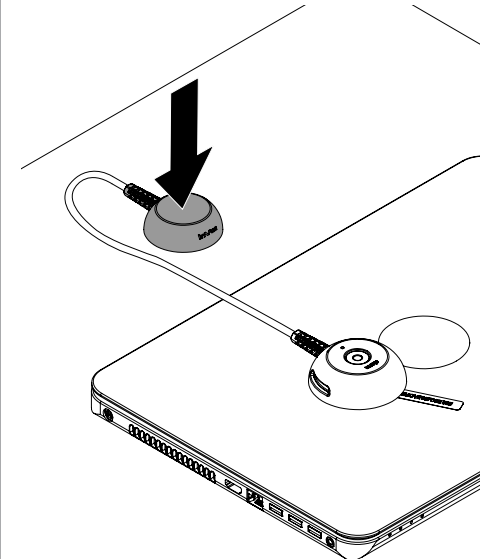
**8** Peel the clear film from the adhesive on the anchor side of the unit.



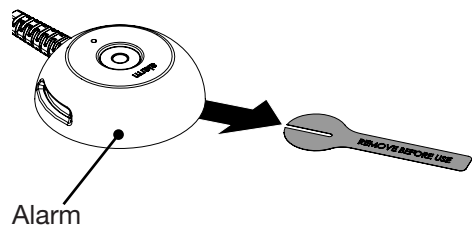
**9** If a stud mount kit was used, place the anchor side of the unit over the hole so that the stud fits through the fixture, with the cable facing **any direction except TOWARDS** the laptop. Place the washer and wingnut over the stud and fully tighten by hand.



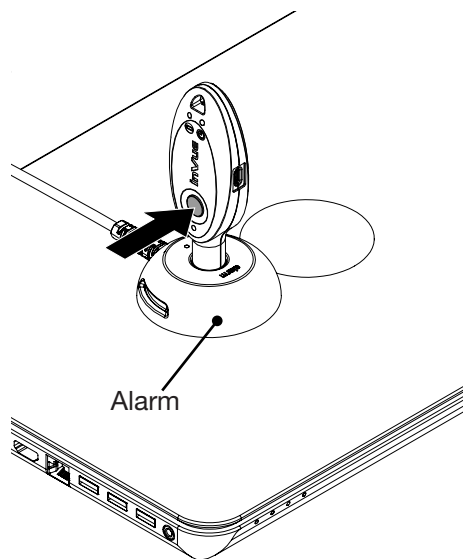
**10** Place the anchor unit on the surface with the cable facing **any direction except TOWARDS** the laptop. Apply pressure for at least 10 seconds.



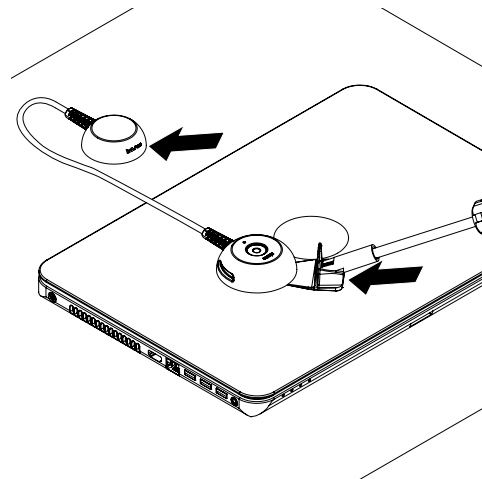
- 11 Pull the plastic tab from the alarm side of the unit to activate the battery.



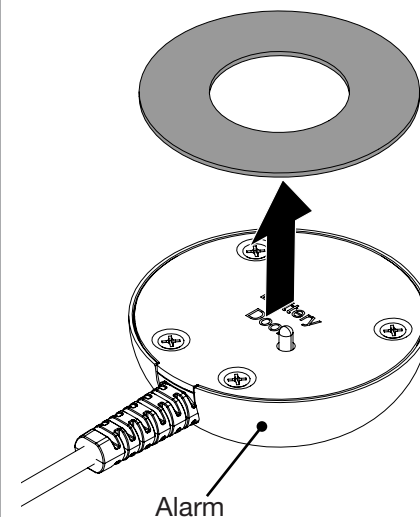
- 12 Place a charged and coded IR3 key onto the lens on the alarm. Press the key to transfer the code to the unit.



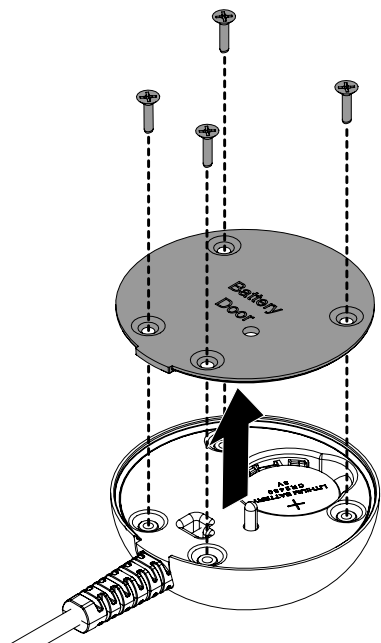
- 13 **Removal:**  
To remove the unit, deactivate using a charged and coded IR3 key and use the scraper removal tool (DNTX93) to break the adhesive bonds.



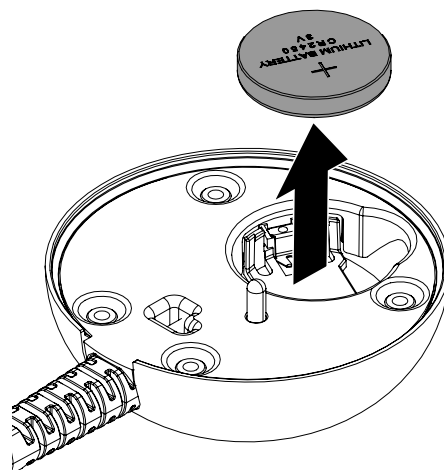
- 14 **Replacing the Battery:**  
Begin by removing the adhesive from the alarm side of the unit.



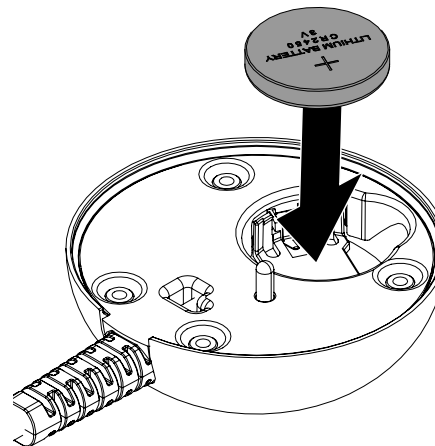
- 15 Remove the 4 screws and the battery door from the bottom of the unit.



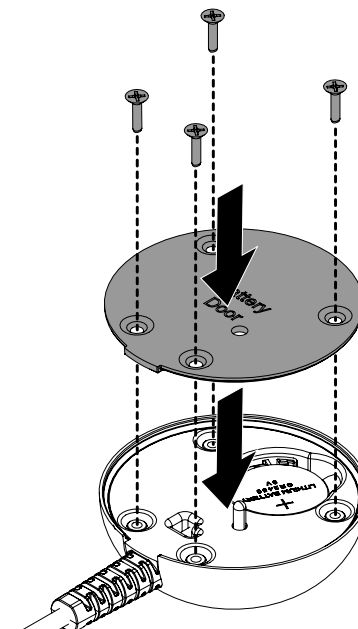
- 16 Remove the old battery.



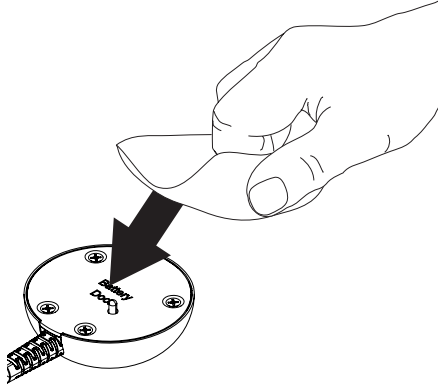
- 17 Install the new battery (standard CR2450 or InVue's EM4421).



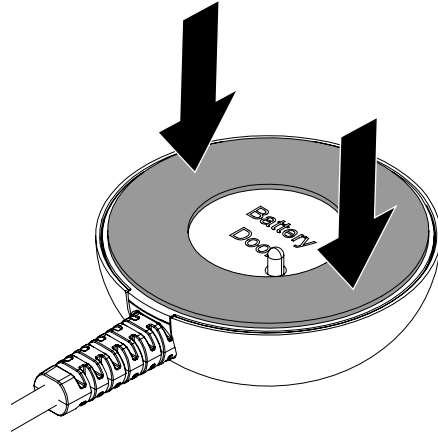
- 18 Reattach the battery door with the 4 screws. Make sure the screws are fully seated but **do NOT** overtighten.



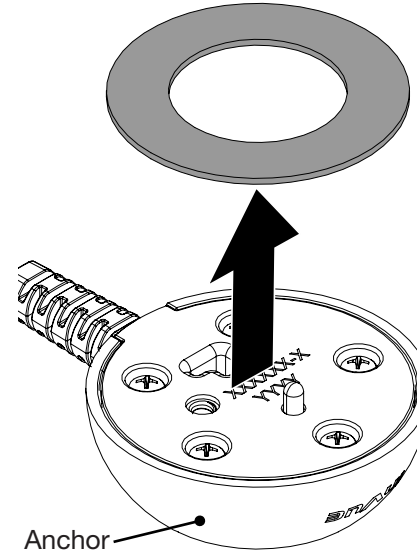
- 19 Clean the bottom of the alarm side of the unit with the provided alcohol wipe. Allow it to dry completely.



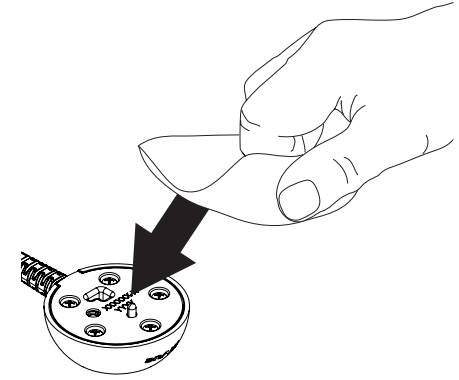
- 20 Remove the replacement adhesive (ADH2174 - Sensor replacement PSA) from the backing and place on the bottom of the alarm side. Apply pressure for at least 10 seconds.



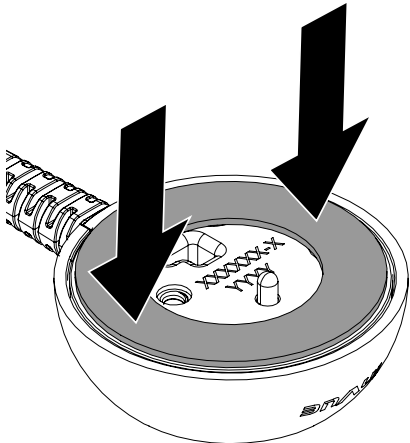
- 21 To replace the adhesive on the anchor side, first remove the old adhesive.



- 22 Clean the bottom of the anchor side of the unit with the provided alcohol wipe. Allow it to dry completely.



- 23 Remove the replacement adhesive (ADH2008 - Anchor replacement PSA) from the backing and place on the bottom of the anchor side. Apply pressure for at least 10 seconds.



SD0562 Rev1 03/15/18



**SABEL**

1300 551 662  
info@sabel.com.au

© 2021 InVue Security Products Inc. All rights reserved.  
InVue is a registered trademark of InVue Security Products.