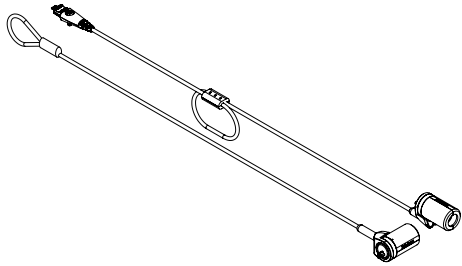
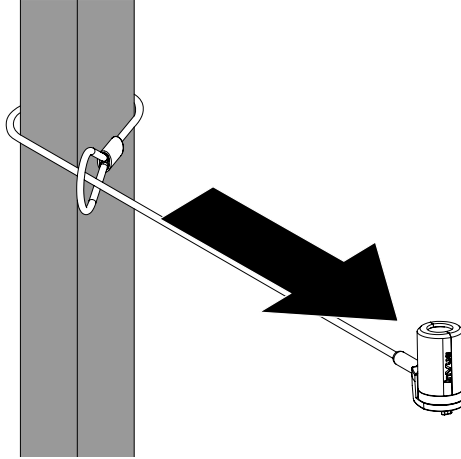


## Zips!

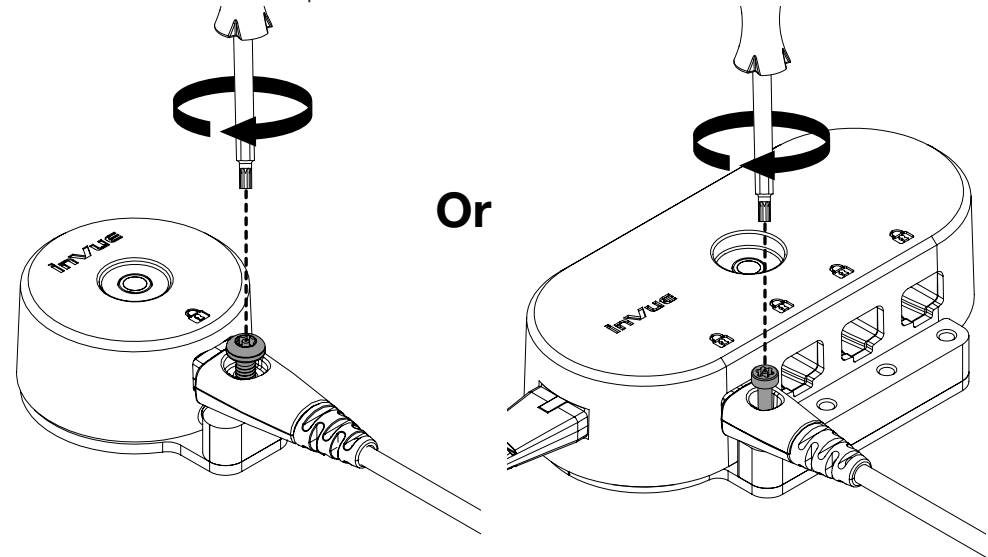
Non-Alarming & Alarming K-Locks  
ZT1000 & ZT1100



- 1** **If using Non-Alarming Version (ZT1000):**  
Locate a solid anchor point, (such as a table leg) that is strong enough to resist a physical attack. Wrap the K-Lock around the feature and insert the head of the lock through the loop and pull through to secure the K-Lock to the anchor point.

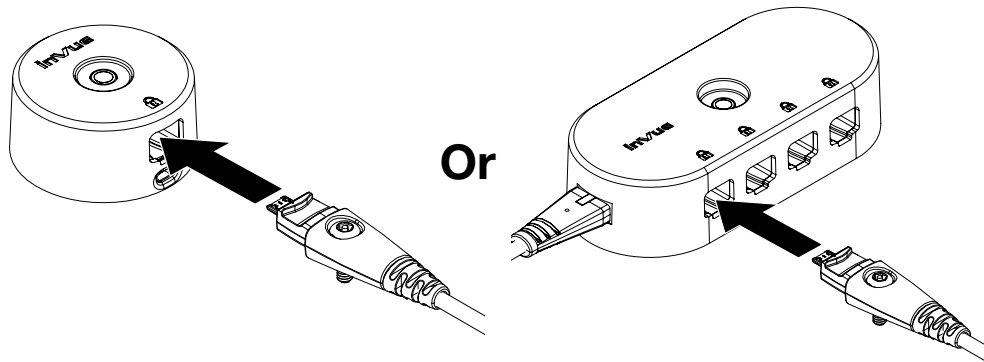


- 2a** **If using Alarming Version (ZT1100) & Zips 3.0 with High Security Plate:**  
Plug the sensor into the alarm unit (see the instructions included with the alarm unit for more information) and align the hole in the sensor with the hole in the high security plate. Secure the sensor with the captured screw.



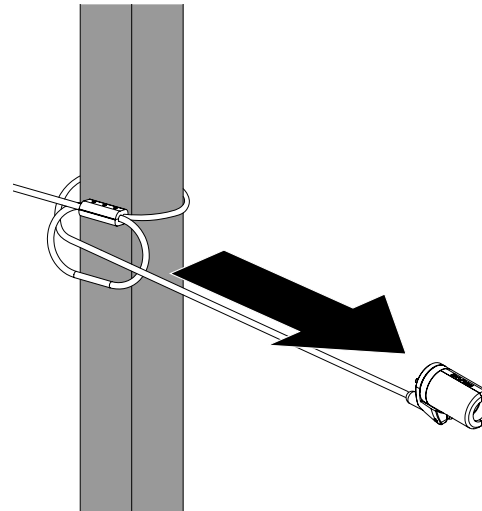
**Note:** If previously installed, the alarm unit may need to be repositioned in order for the K-Lock to reach the laptop being displayed.

- 2b** **If using Alarming Version (ZT1100) & Zips 3.0 without High Security Plate:**  
Plug the sensor into the alarm unit.

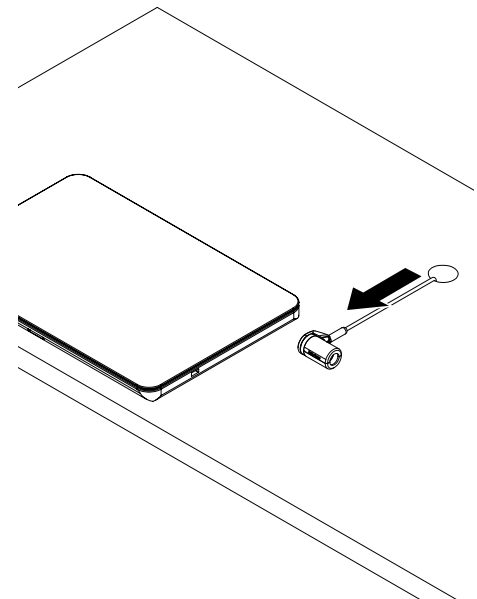


**Note:** If previously installed, the alarm unit may need to be repositioned in order for the K-Lock to reach the laptop being displayed.

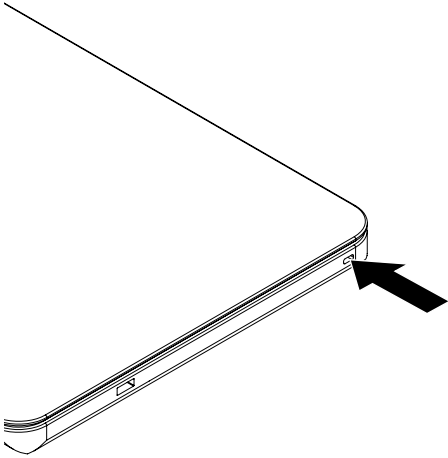
- 2c** Locate a solid anchor point, (such as a table leg) that is strong enough to resist a physical attack. Wrap the K-Lock around the feature and insert the head of the lock through the loop in the cable and pull through to secure the K-Lock to the anchor point.



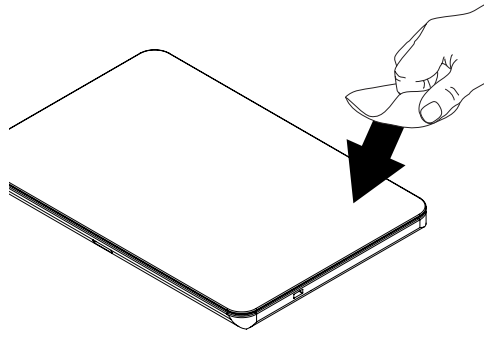
- 3** Route the K-Lock head to the laptop, either up through a hole in the fixture or across the surface.



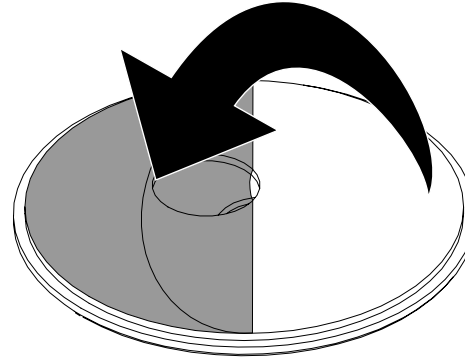
4 If you have a security slot (shown below) skip to step 6. Otherwise, continue to step 5.



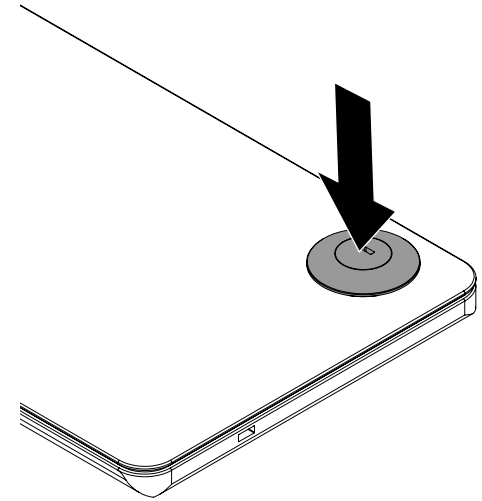
5a If no security slot is present, use the provided alcohol wipe to clean an area on the laptop. Allow it to dry completely.



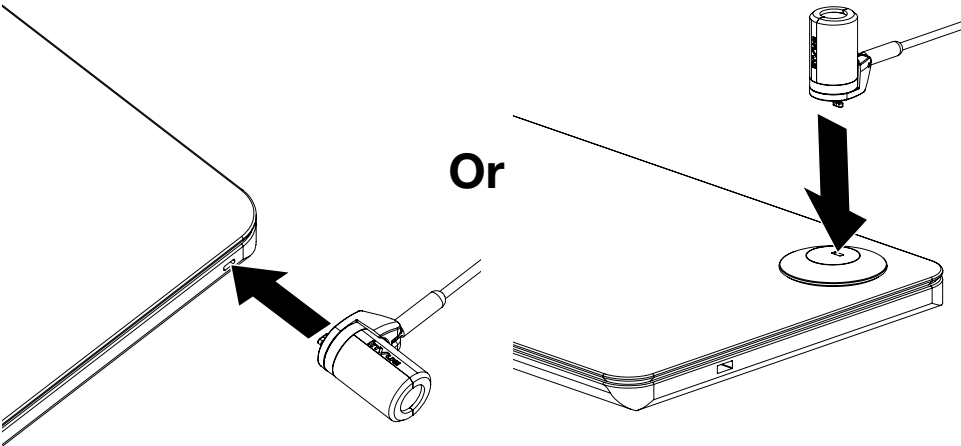
5b Peel the clear film from the adhesive on the bottom of the K-Lock Medallion (ZT2001 or ZT2004).



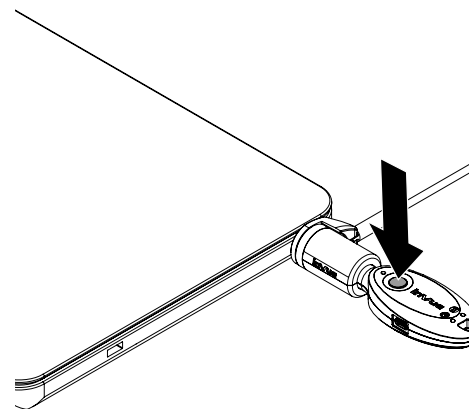
5c Place the Medallion on the area cleaned on the laptop. Apply pressure for at least 10 seconds.



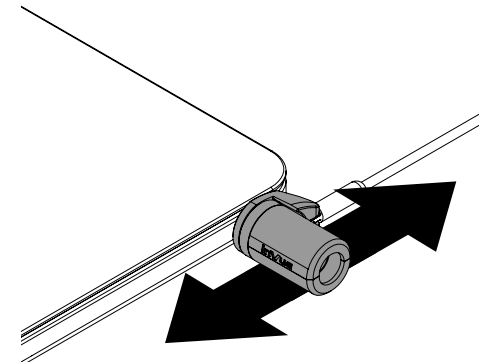
6 Align the lock bar with the security slot (the lock cylinder rotates to aid in this) and insert into the slot.



7 Insert an authorized OneKEY into the port on the end of the lock cylinder. Press the button on the key to power the lock cylinder.



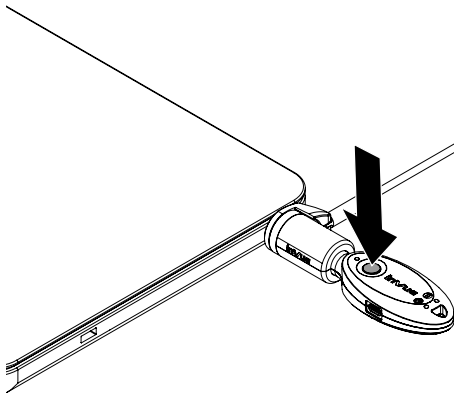
8 Wiggle and pull the K-Lock to make sure it is secure in the device or medallion.



**Note:** Leave the OneKEY in place for approximately 1 second for the lock cylinder to fully cycle.

9

To remove, insert an authorized OneKEY into the port on the end of the lock cylinder. Press the button on the key to power the lock cylinder.



**Note:** Leave the OneKEY in place for approximately 1 second for the lock cylinder to fully cycle.



SD0663 Rev3 03/21/19



**SABEL**

1300 551 662  
info@sabel.com.au