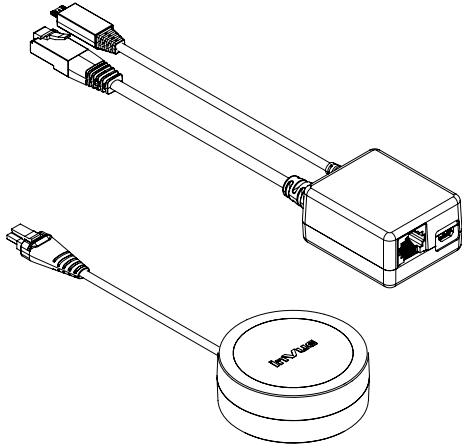

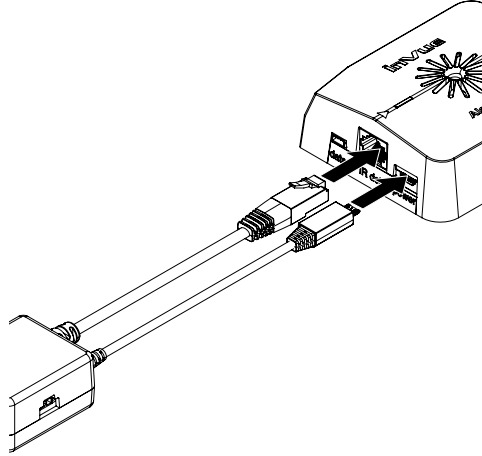


Zips / S2865 Remote LED Emitter Kit ZB4000

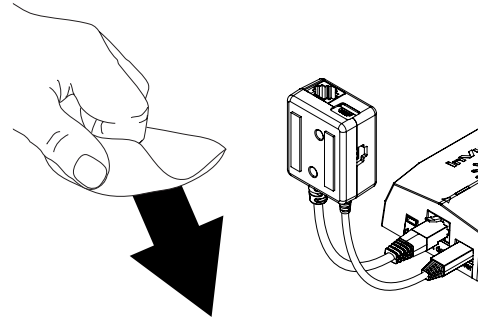


 For proper functionality, connect all cables in the order shown in these instructions.

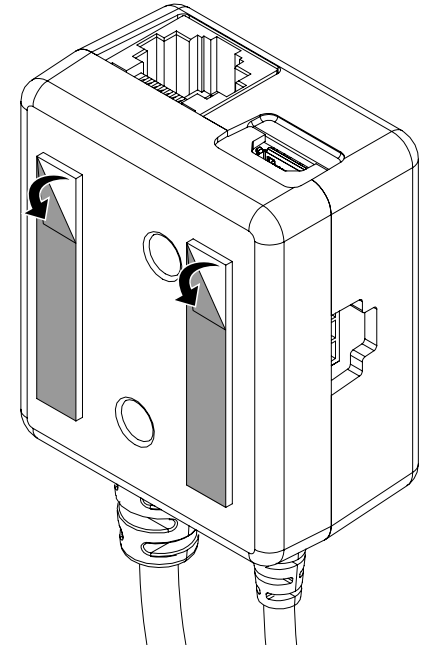
1 Plug the junction box into a previously installed S2865 Alarm Unit (see the instructions included with the Alarm Unit for more details, if installing, do not attach the IR dot or apply power yet). The RJ45 jack will plug into the port labelled "IR Dot" and the micro-USB will plug into the port labelled "Power".



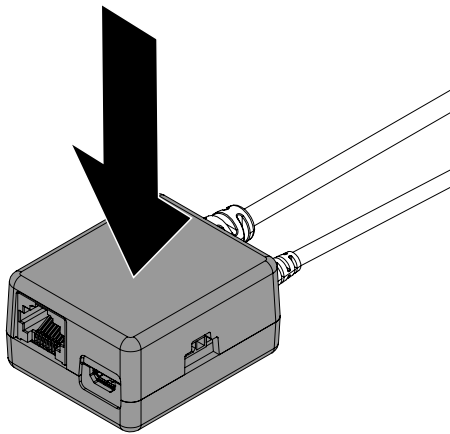
2 Lift the junction box and use the provided alcohol wipe to clean the area where it will be mounted. Allow it to dry completely.



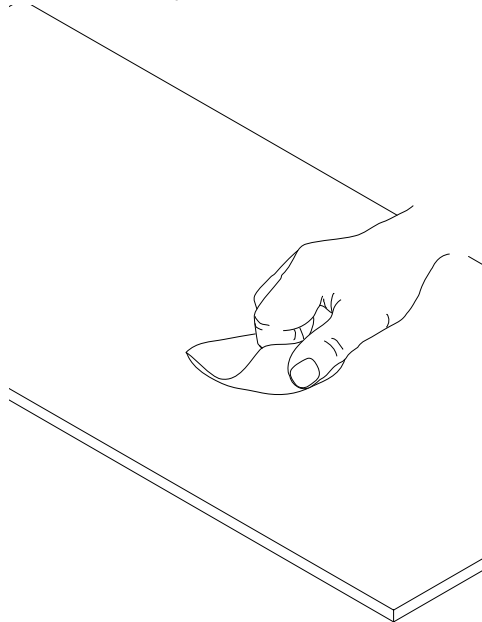
3 Peel the clear film from the adhesives on the bottom of the junction box.



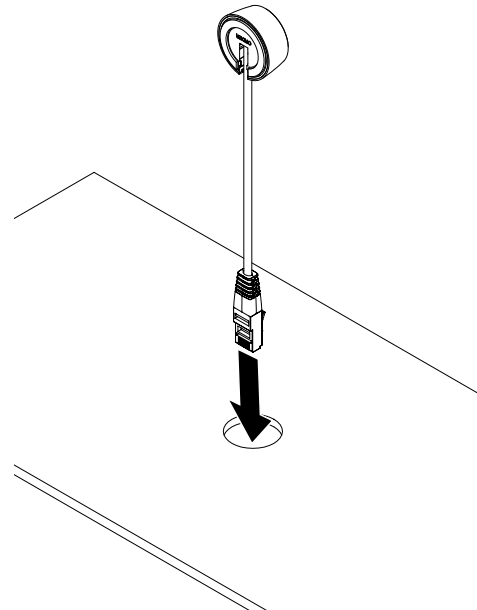
4 Place the junction box in the desired location and apply pressure for at least 10 seconds.



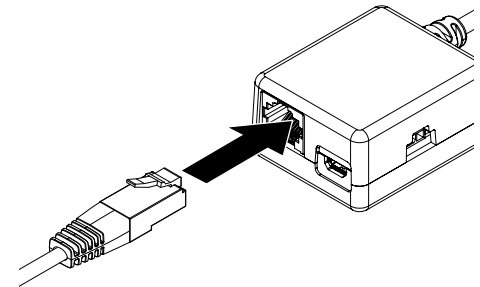
5 Use the provided alcohol wipe to clean the surface where the IR Dot will be placed.



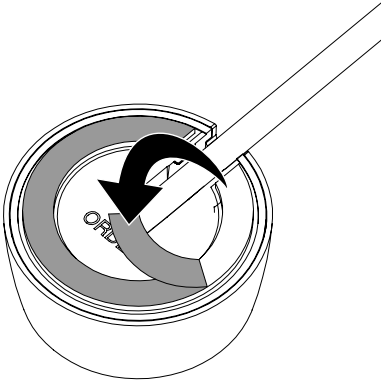
6 Route the IR Dot cable through a hole or slot in the fixture.



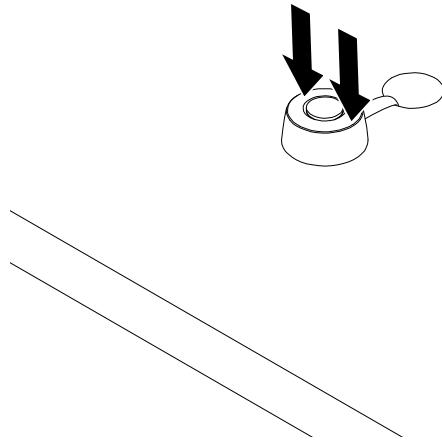
7 Plug the IR dot into the RJ45 port on the junction box.



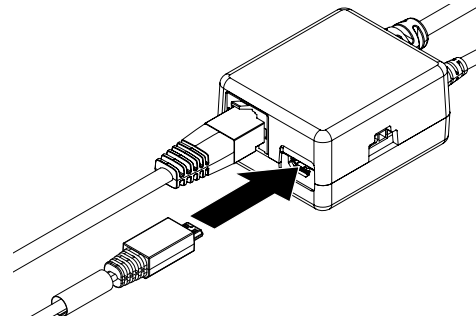
- 8 Peel the clear film from the adhesive on the bottom of the IR dot.



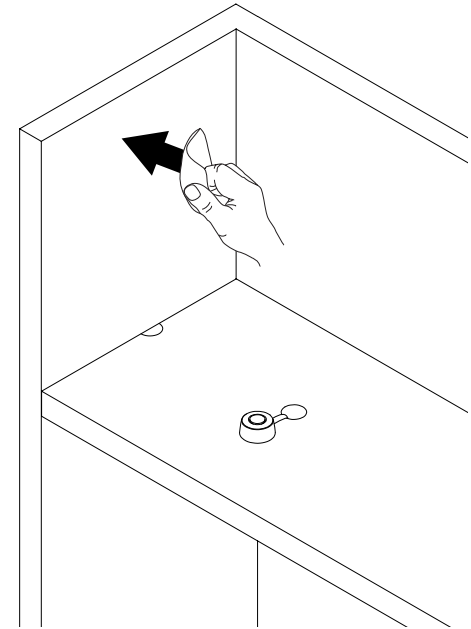
- 9 Place the IR dot in the desired location and apply pressure for at least 10 seconds.



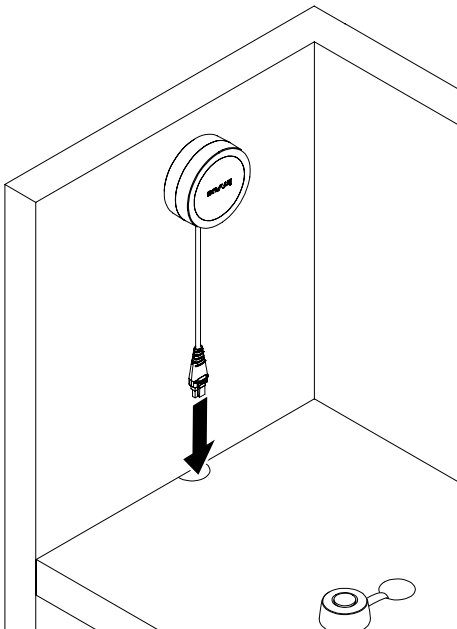
- 10 Plug the micro-USB end of the power supply into the port on the junction box.



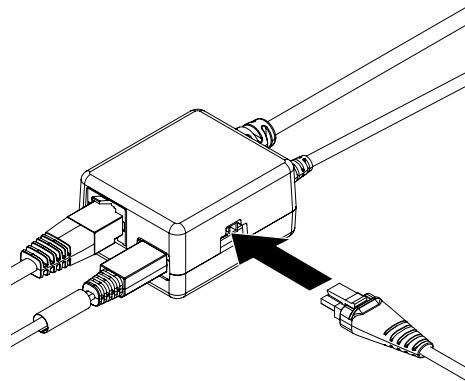
- 11 Using a provided alcohol wipe, clean a highly visible area where the LED emitter will be placed.



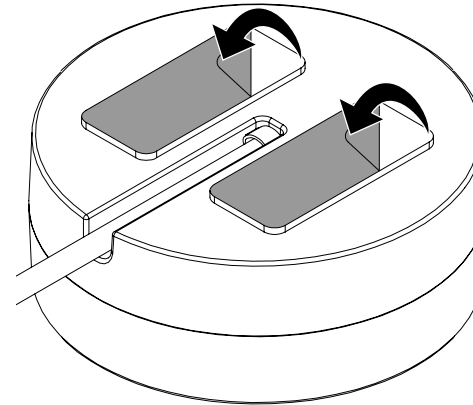
- 12 Route the LED emitter cable through the fixture to the junction box.



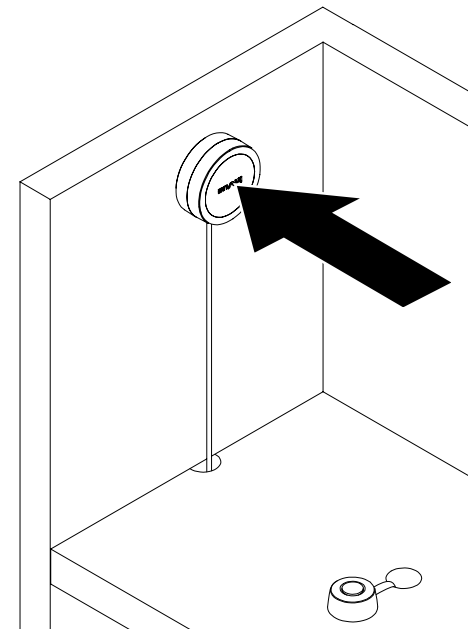
- 13 Beneath the fixture; plug the LED emitter cable into the junction box.



- 14 Peel the clear film from the adhesives on the LED emitter.

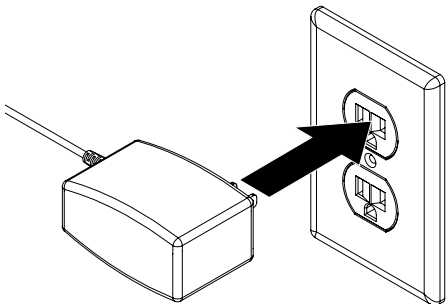


- 15 Place the LED emitter in the predetermined location and apply pressure for at least 10 seconds.



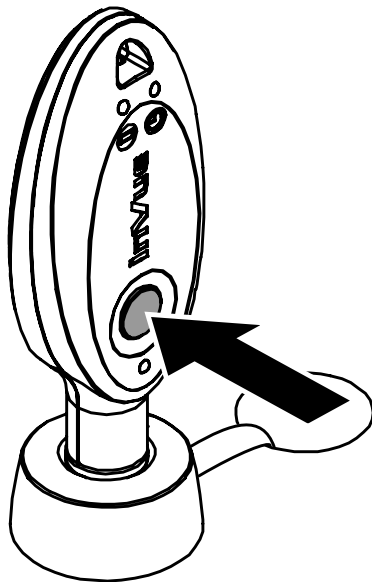
16

Plug the power supply into a power outlet. The LED emitter will flash once.



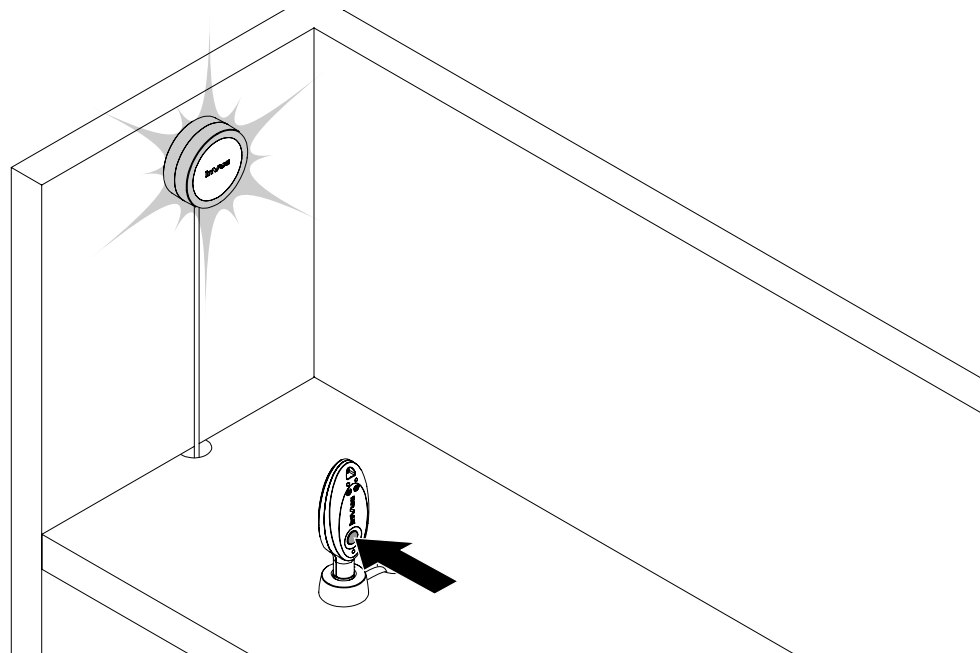
17

Place a coded and charged OneKEY on the lens of the IR Dot and press the button to code the system.



18

During an alarm event, the LED emitter will flash until deactivated. Place a charged and coded OneKEY onto the IR dot and press the button to deactivate.



SD0643 Rev1 12/12/19



SABEL

1300 551 662
info@sabel.com.au