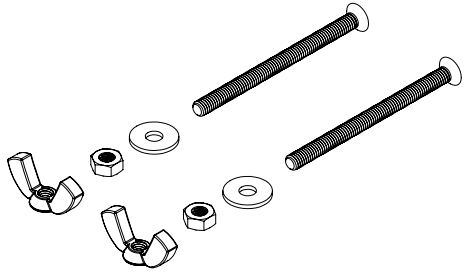
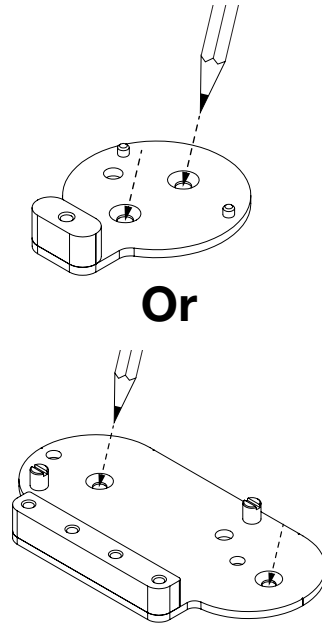


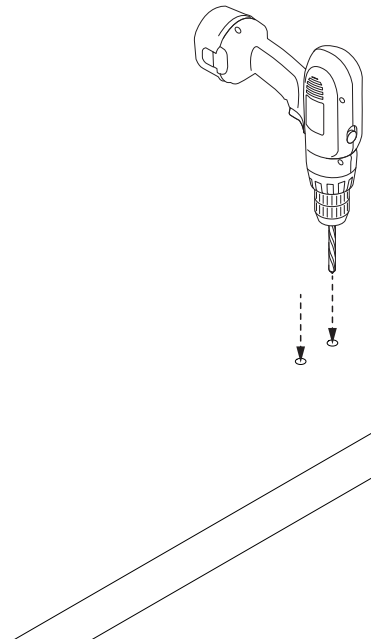
Zips 3.0 High Security Mounting Kit ZB4003



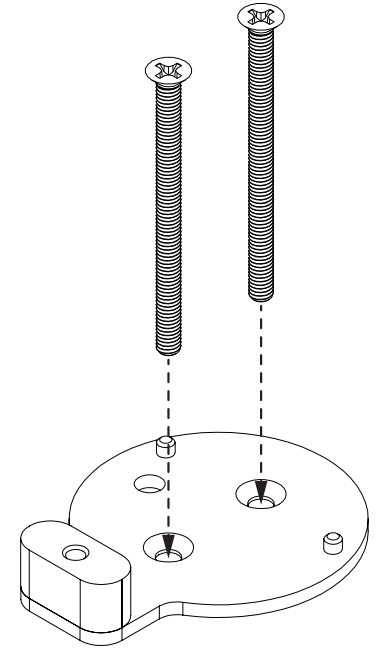
1 Place the high security plate where desired and use a pencil to mark the holes.



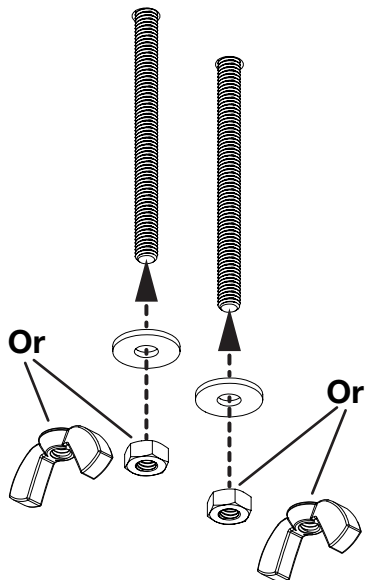
2 Use a drill with a 5/16 - 3/8 in bit to drill the 2 marked holes.



3 Place the high security plate over the drilled holes and insert the 2 bolts.



4 From beneath the fixture, place a washer over each bolt and secure with either the nut or the wingnut. Tighten fully.



SD0644 Rev0 02/22/19



SABEL

1300 551 662
info@sabel.com.au