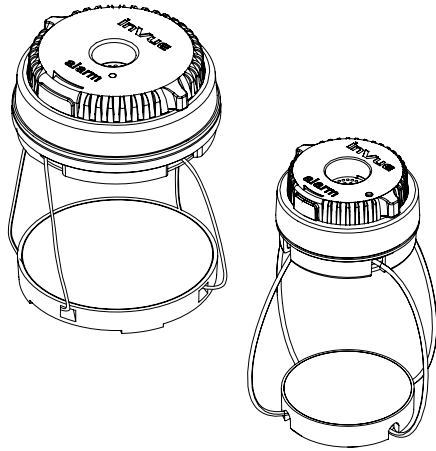
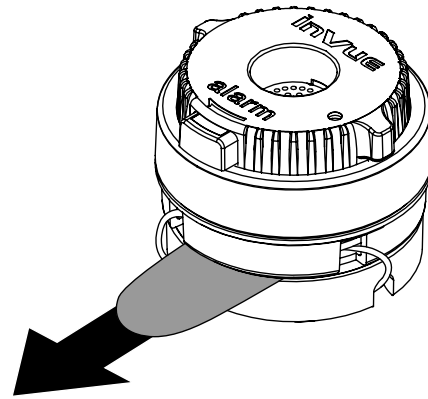


### IR Package Wrap

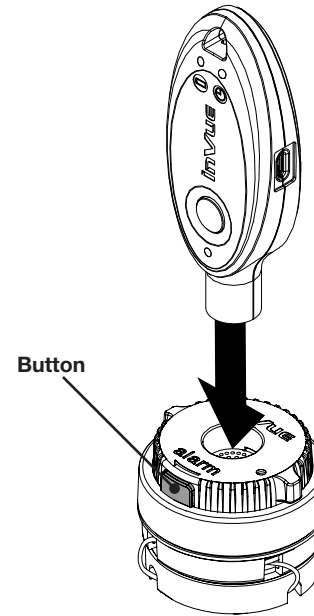
Small & Large Package Wrap  
NW52 & NW100



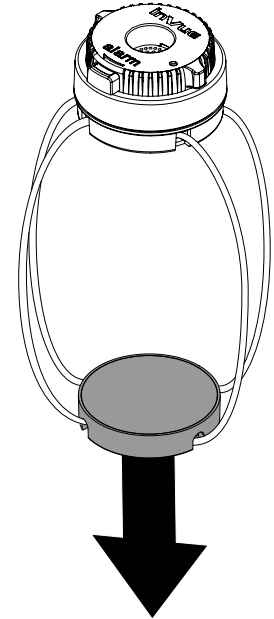
1 Remove the packaging tab from the unit.



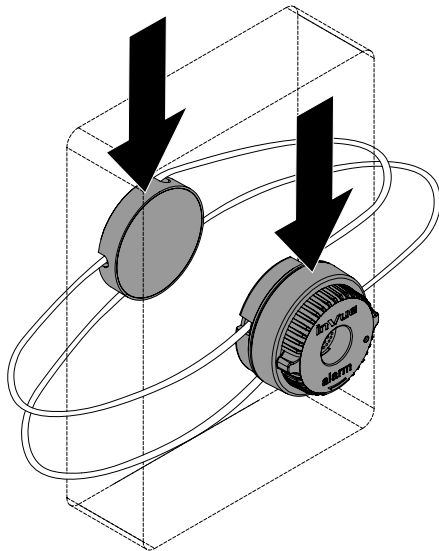
2 If the button is depressed, first use a charged and coded IR3 key and engage the lens on top of the package wrap to unlock the unit.



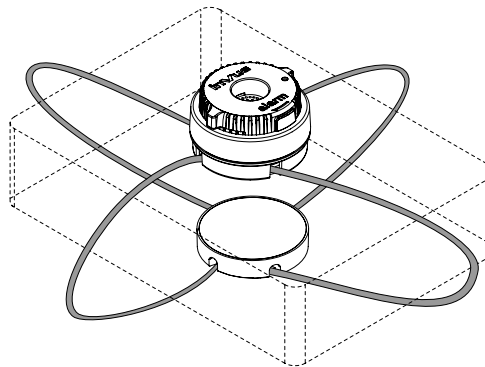
3 Slowly pull the bottom away from the top. Unspool enough of the cable that the unit will fit around the intended merchandise.



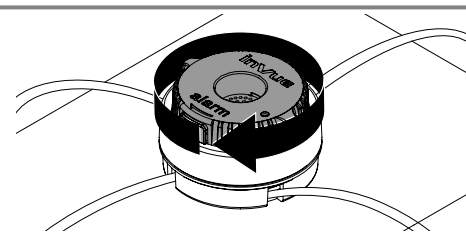
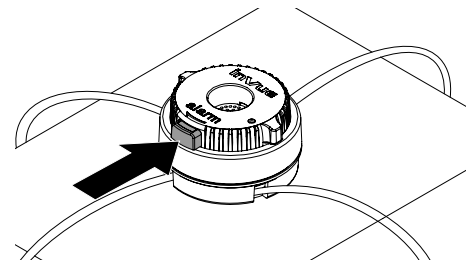
4 Place the top of the unit on the largest plane of the merchandise (this will typically be the front of the product). Place the bottom of the unit onto the opposite side.



5 Lay the merchandise flat on the bottom part of the unit and arrange the cables so that each goes over the other sides of the merchandise.

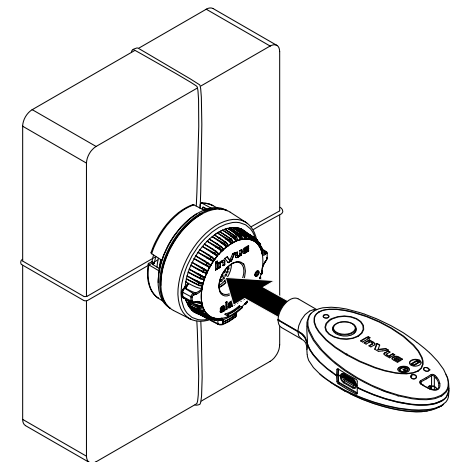


6 Press in the button on the top part of the unit and turn the top clockwise to tighten the cables around the merchandise.  
**Note:** The unit may need to be adjusted while tightening to keep it centered.



**Note:** The unit will chirp when the button is pushed and the LED will flash once every 20-30 seconds indicating that it is armed.

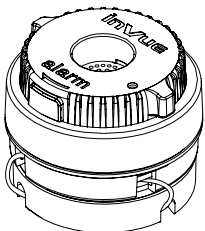
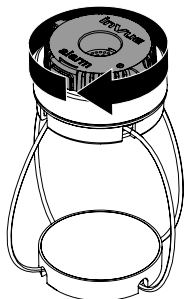
7 To release the merchandise from the package wrap. Engage the port on top of the unit with a charged and coded IR3 key. The button will pop out and the package wrap can be pulled away from the merchandise.



8

**Recommended:**

To store the package wrap when not in use, turn the top of the unit clockwise to remove the slack from the cables. Store the unit unlocked & disarmed.



SD0756 Rev1 03/24/21



**SABEL**

1300 551 662  
info@sabel.com.au

© 2021 InVue Security Products Inc. All rights reserved.  
InVue is a registered trademark of InVue Security Products.