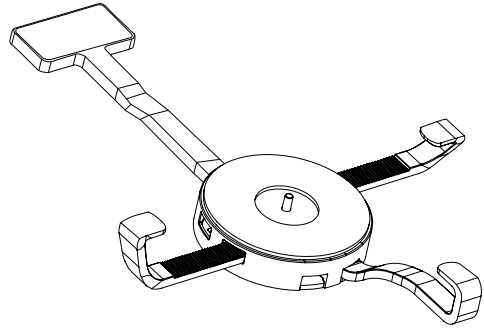
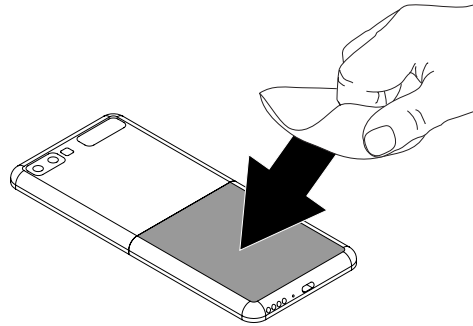


OnePOD

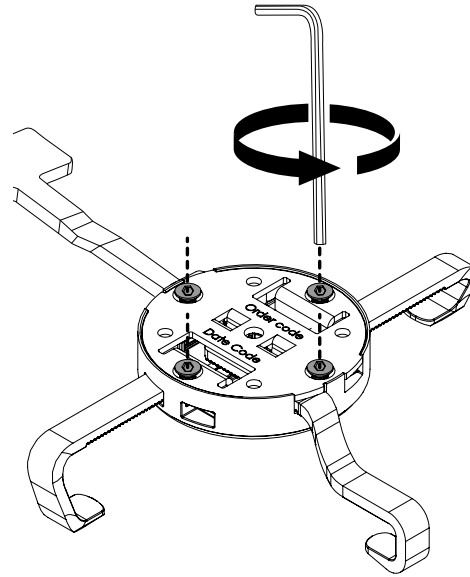
Custom Bracket Arms
SBH602



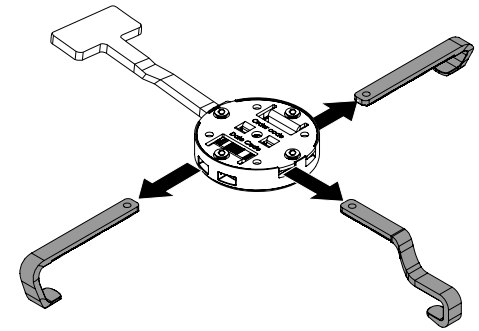
1 IMPORTANT:
To promote optimal adhesion to the device, apply the polish kit ADH2300 or ADH2353 to the back of the bottom portion of the device, following the instructions included with those kits. Then use the provided alcohol wipe to clean the area.



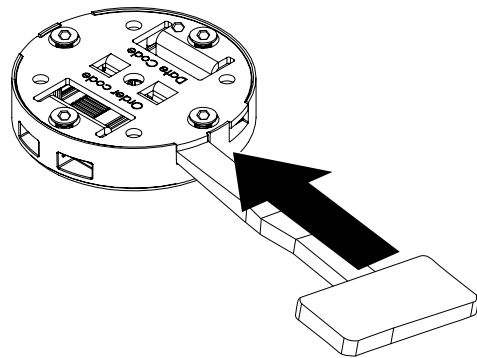
2 Loosen the 4 screws on the arm bracket plate.



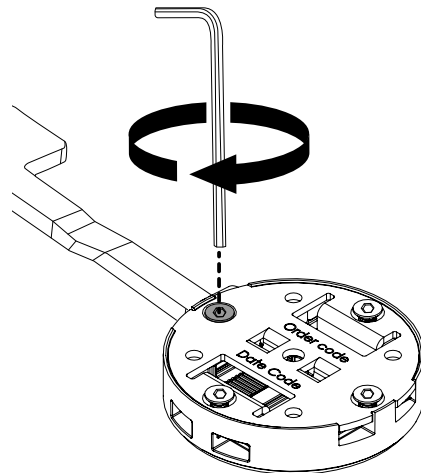
3 Remove the 2 side arms and the bottom arm.



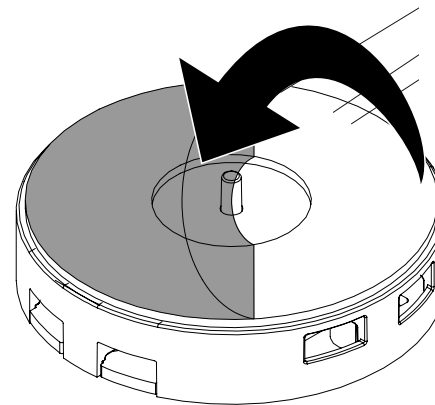
4 Optional: If wanting to use support arm, insert the support arm fully into the bracket plate.



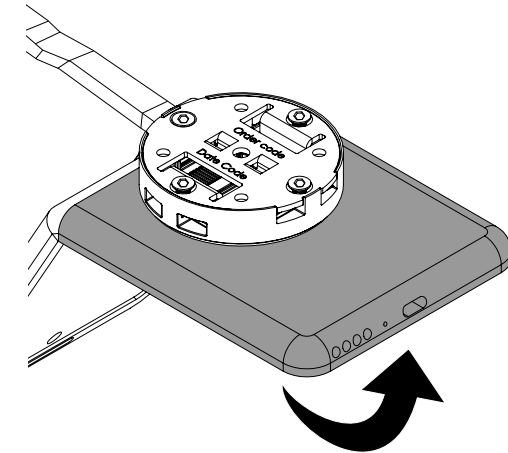
5 Tighten the screw nearest the flat arm to keep it in place.



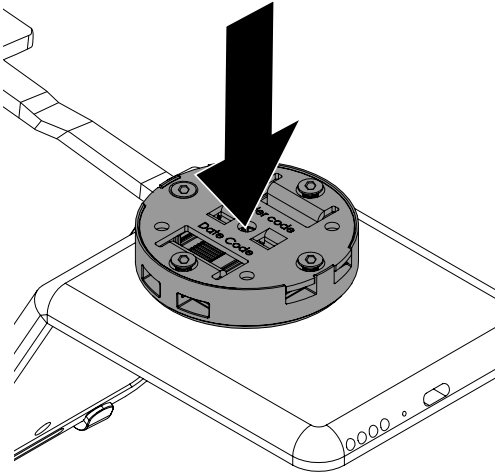
6 Peel the clear film from the adhesive.



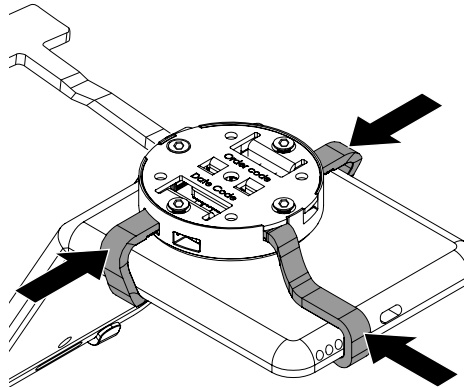
7 Position the arm bracket plate so that it is centered on the device. Carefully open the phone until the bottom part of the device makes contact with the adhesive on the bracket arm plate.



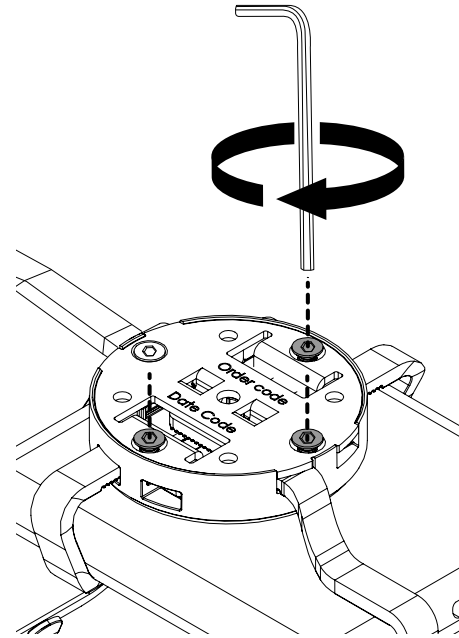
8 Press the bracket plate against the device for at least 10 seconds.



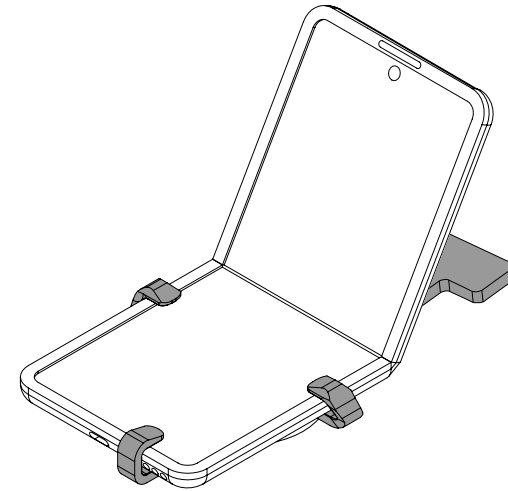
9 Reinsert the other arms so that they fit around the device.



10 Tighten the other 3 screws to secure the arms around the device.



11 The final assembly should resemble the below image.



Note: See the instructions included with your OnePOD stand for more information on how to set up the stand and attach the sensor.



SBH602 Rev 23/07/21



SABEL

P 1300 551 662

E info@sabel.com.au

© 2020 InVue Security Products Inc. All rights reserved. InVue is a registered trademark of InVue Security Products.