

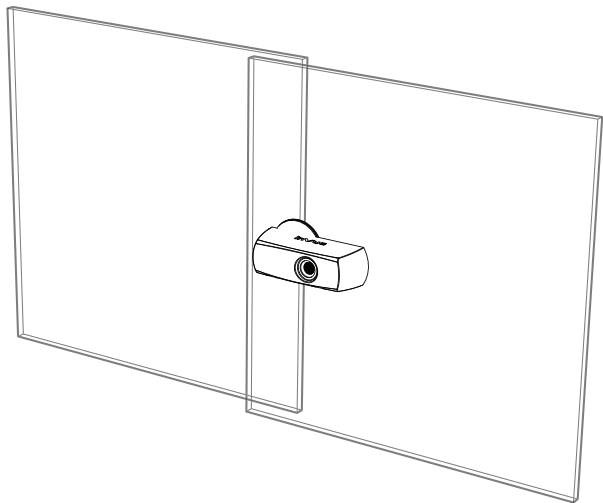
inVue

SABEL

Plunger Lock III

PL203

sabel.com.au



Overview

Review entire instruction guide before starting installation. It may be necessary to remove cabinet doors to allow for screw access and lock attachment.

Application

Plunger Lock III is designed for glass sliding panel doors with an existing hole ranging from 22 mm – 32 mm (0.87" – 0.26"). Reference Cabinet Requirements on pages 4 and 5.

Cabinet Specification

Glass bypass panels with a thickness range of 5.8 mm – 10 mm (0.23" – 0.4").

System Components

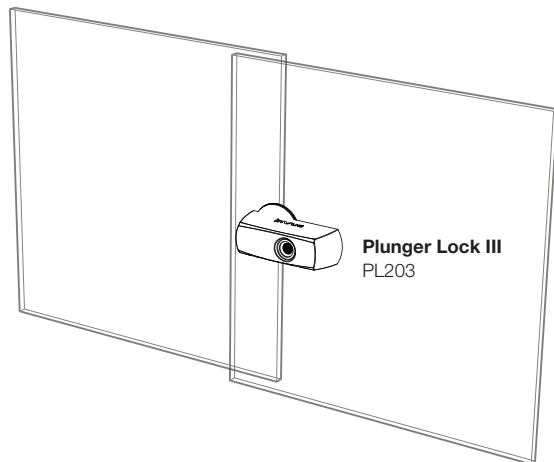
1. Plunger Lock III (PL203)
2. IR2 Key (PK4400)

Setup in 4 easy steps:

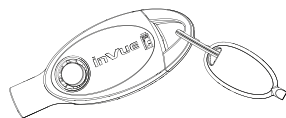
1. Gain access to front and back of front panel and mounting hole
2. Place Plunger Lock body into hole
3. Align back plate with lock from back side of panel
4. Attach plate to Plunger Lock body using 4 screws provided

Caution:

Wear appropriate safety gear (gloves and eye protection) when working with and around glass panels.

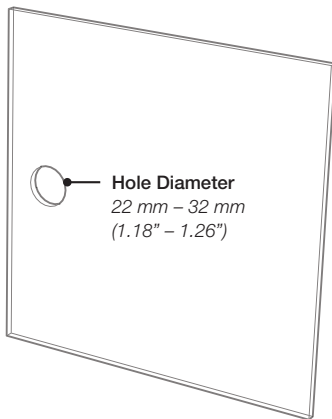


Plunger Lock III
PL203



IR2 Key
PK4400

CABINET REQUIREMENTS



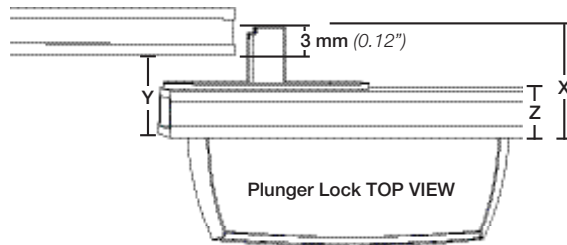
CABINET REQUIREMENTS

SABEL

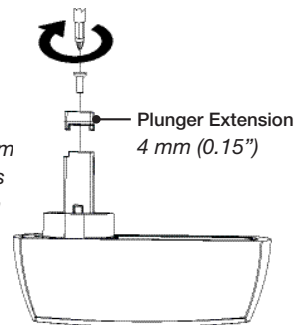
X = Plunger Length = 23.5 mm (0.91")

Y = Panel Thickness & Panel Gap must be 20.5 mm (0.81") or less

Z = Panel Thickness: 5.8 mm – 10 mm (0.23" – 0.4")



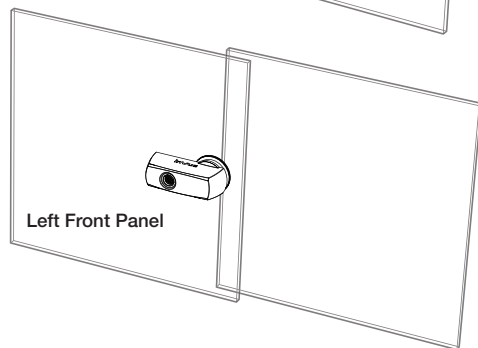
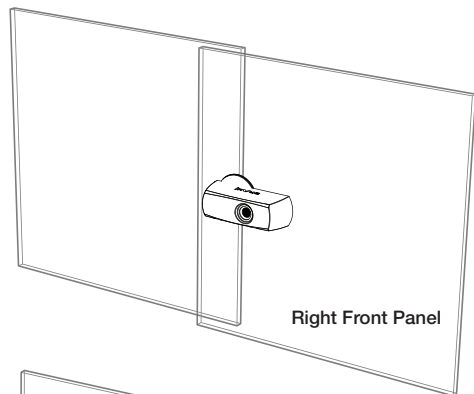
Note: If "Y" is greater than 20.5 mm (0.81") but less than 24.5 mm (0.96"), then plunger extension is required. Attach extension when plunger is extended using small screw provided.



1

Determine if front panel is on right or left hand side.

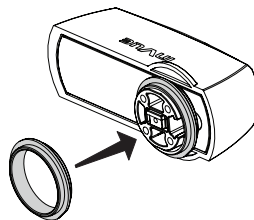
Note: The illustrations in this booklet are for right front panel orientation. For left front panel cabinet install in opposite direction.



SABEL

2

Optional. The lock is sized to fit a 22 mm – 23 mm hole. To install lock into larger hole (24 mm - 32 mm) use the appropriate spacer (included).



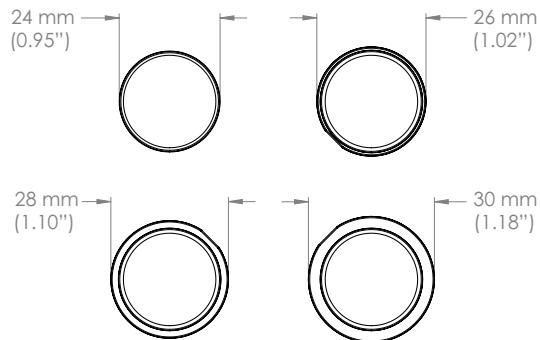
22 mm ≤ hole size < 24 mm: No spacer required

24 mm ≤ hole size < 26 mm: 24 mm spacer

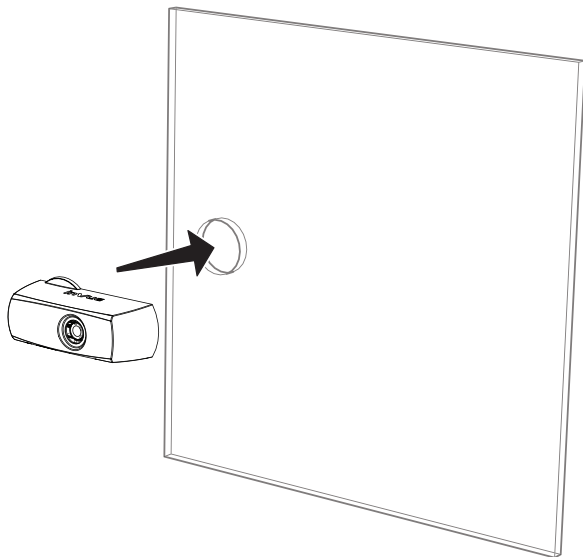
26 mm ≤ hole size < 28 mm: 26 mm spacer

28 mm ≤ hole size < 30 mm: 28 mm spacer

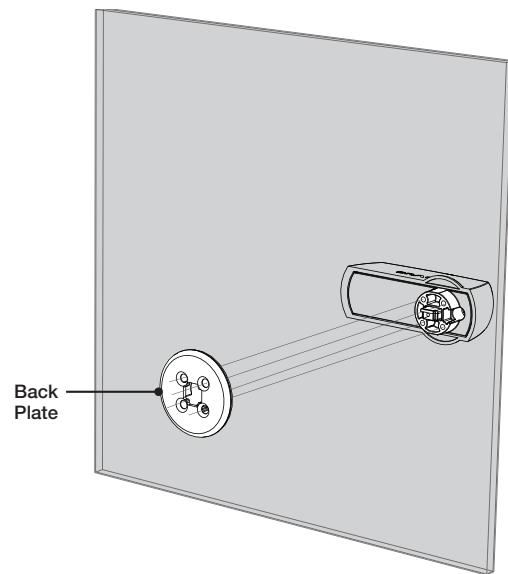
30 mm ≤ hole size < 32 mm: 30 mm spacer



- 3** Slide Plunger Lock through hole in front panel.

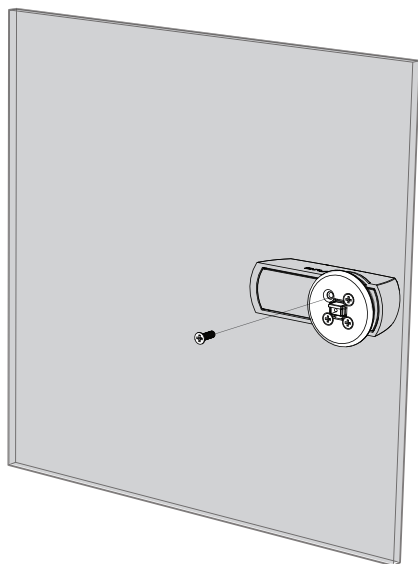


- 4** Rotate back plate until holes on back plate align and seat with screw holes on Plunger Lock.

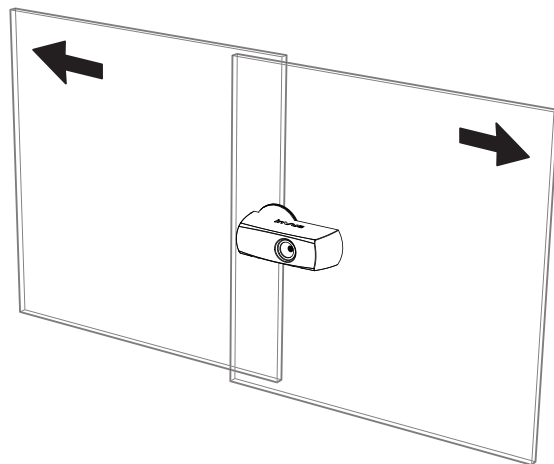


- 5** Using screws provided, alternate tightening screws to ensure proper fit.

Note: #1 Phillips screwdriver with magnetic tip recommended.

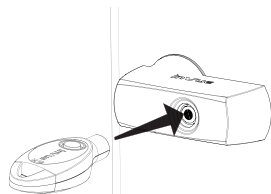


- 6** Close cabinets before testing lock operation.



7

Position IR2 Key against lock, push button and wait for "beep" before removing key. Lock and unlock product several times to ensure proper operation.



IR2 Key must be charged and activated. See IR2 Key instruction guide.



Hold until you get a confirmation "beep."
Note: If double "buzz," an error has occurred. Unlock, ensure panels are fully closed and try again.



Locked

LOCK STATUS INDICATORS



Unlocked



Locked



Error (not fully locked)

Note: Unlock lock, ensure panels are fully closed and try again.



SABEL

1300 551 662

info@sabel.com.au