

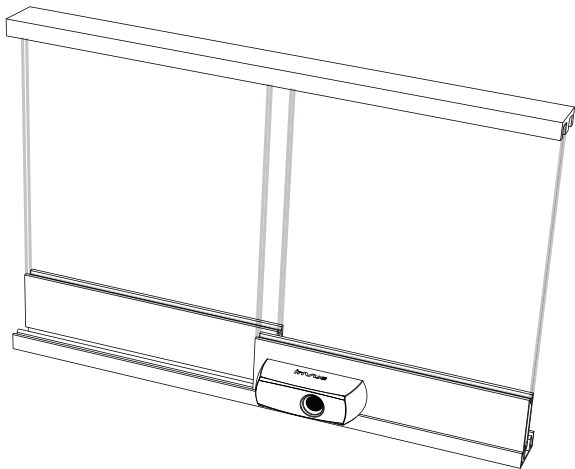
inVue

SABEL

Plunger Lock II

PL202

sabel.com.au



Overview

Review entire instruction guide before starting installation. It may be necessary to remove cabinet doors to allow for screw access and lock attachment.

Application

The Plunger Lock is designed for rigid sliding panel doors with existing 22 mm (0.86") hole, not to exceed 22.5 mm (0.88"). Reference cabinet requirements on page 5.

Cabinet Specification

Panels can be wood or metal framed glass.

System Components

1. Plunger Lock II (PL202)
2. IR2 Key (PK4400)

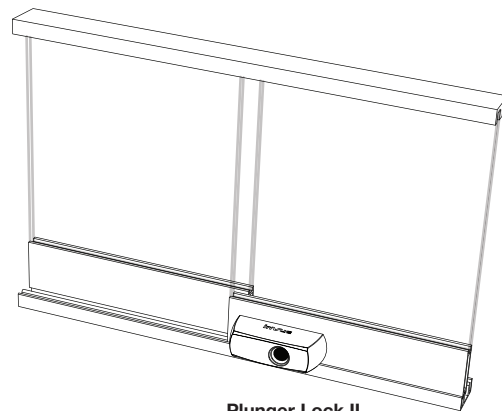
Setup in 5 easy steps:

1. Gain access to front and back of front panel and hole
2. Place Plunger Lock body into hole
3. Align back plate with hole from back side of panel
4. Attach plate to Plunger Lock body through the hole using 4 screws provided
5. Attach plate to panel using wood or metal screws provided

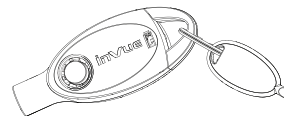
Caution:

Wear appropriate safety gear (gloves and eye protection) when working with and around glass panels.

FC CE N13611

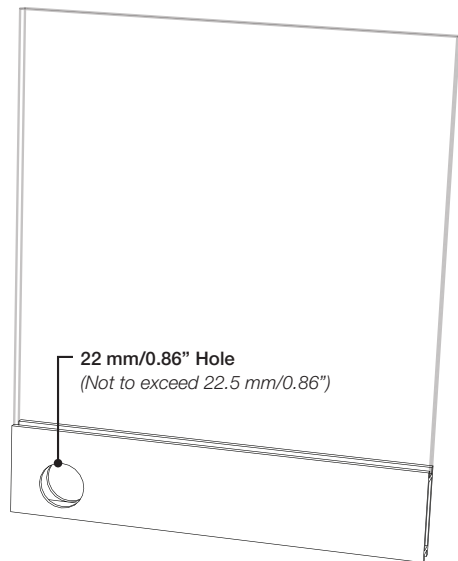


Plunger Lock II
PL202



IR2 Key
PK4400

CABINET REQUIREMENTS



CABINET REQUIREMENTS

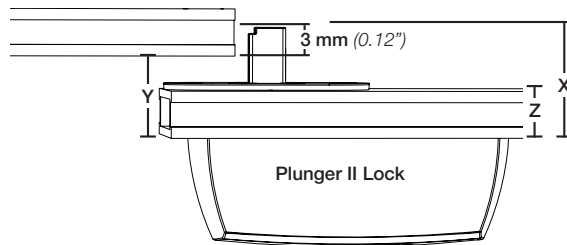
SABEL

X = Total Plunger Length = 23 mm (0.92")

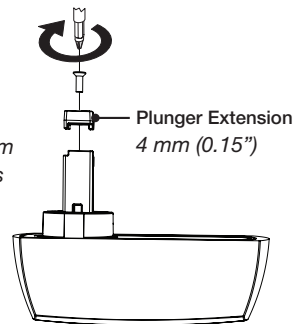
Y = Panel Thickness + Panel Gap must be 20.5 mm (0.79") or less

Z = Metal Frame or Wood Panel Thickness:

8 mm – 12 mm (0.31" – 0.47")

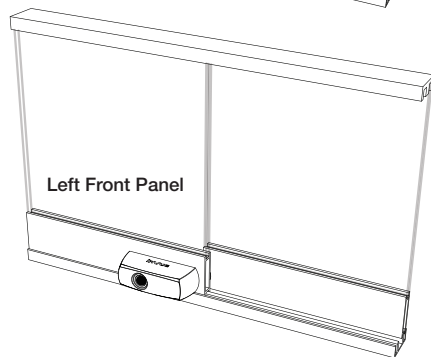
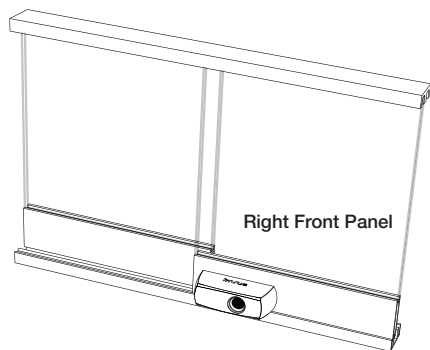


Note: If "Y" is greater than 20.5 mm (0.81") but less than 24.5 mm (0.96"), then plunger extension is required. Attach extension when plunger is extended using small screw provided.



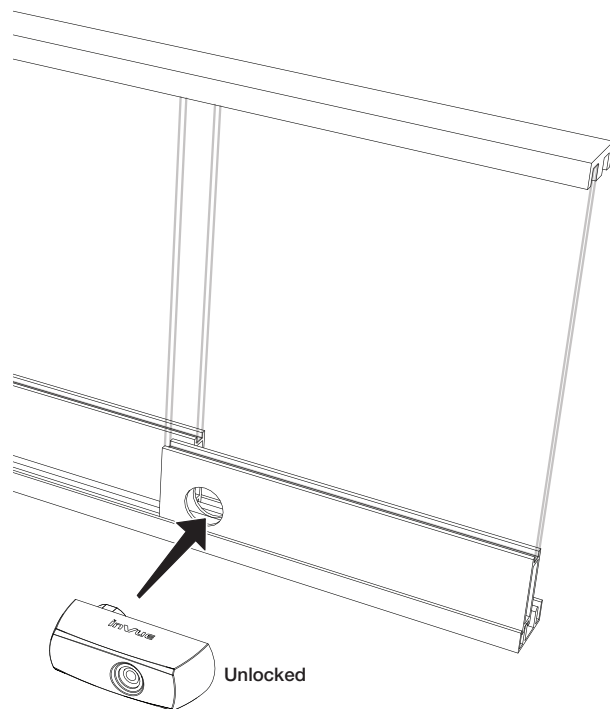
1

Determine if front panel is on right or left hand side.
Note: The illustrations in this booklet are for right front panel orientation. For a left front panel cabinet install lock in opposite direction.

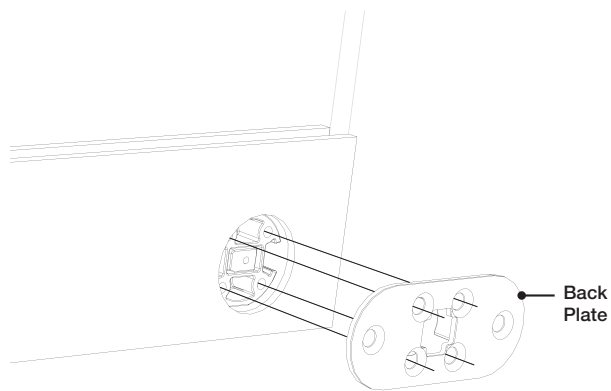


2

Make sure lock is unlocked using IR2 Key. Slide Plunger Lock through hole in front panel.

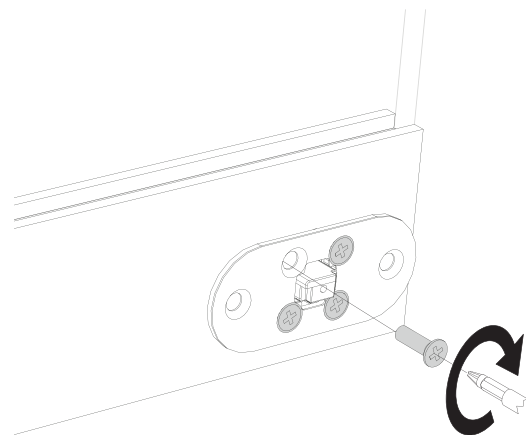


- 3** Rotate back plate until holes on back plate align and seat with screw holes on Plunger Lock.



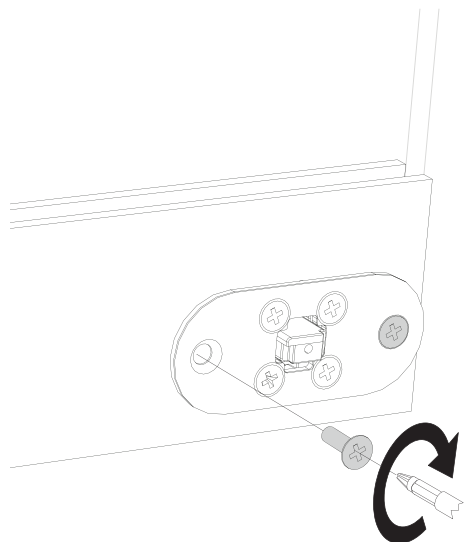
- 4** Using screws provided, alternate tightening screws to ensure proper fit.

Note: #1 Phillips screwdriver with magnetic tip recommended.

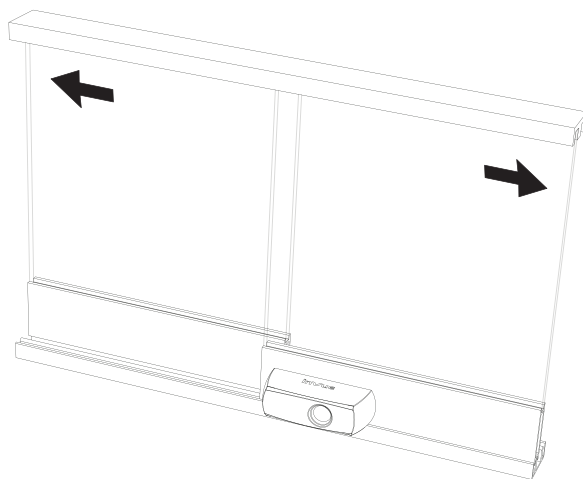


- 5** Using wood or metal screws provided, tighten back plate onto panel.

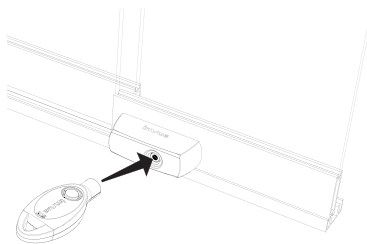
Note: If drilling is required, use a 3/32" drill bit.



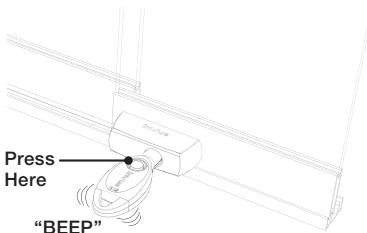
- 6** Close cabinets before testing lock operation.



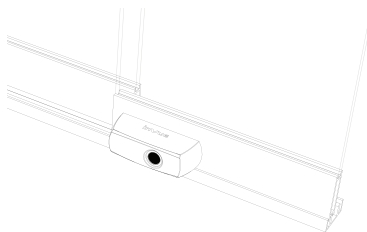
7 Position IR2 Key against lock, push button and wait for "beep" before removing key. Lock and unlock product several times to ensure proper operation.



IR2 Key must be charged and activated. See IR2 Key instruction guide.

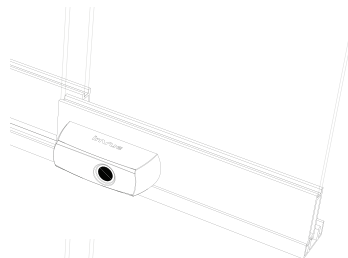


Hold until you get a confirmation "beep."
Note: If double "buzz," an error has occurred. Unlock, ensure panels are fully closed and try again.

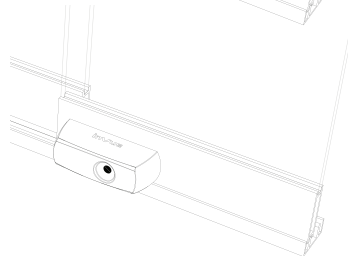


Locked

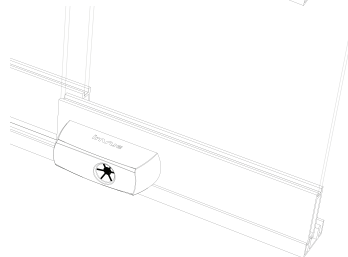
LOCK STATUS INDICATORS



Locked



Unlocked



Error (not fully locked)
Note: Unlock lock, ensure panels are fully closed and try again.



SABEL

1300 551 662

info@sabel.com.au