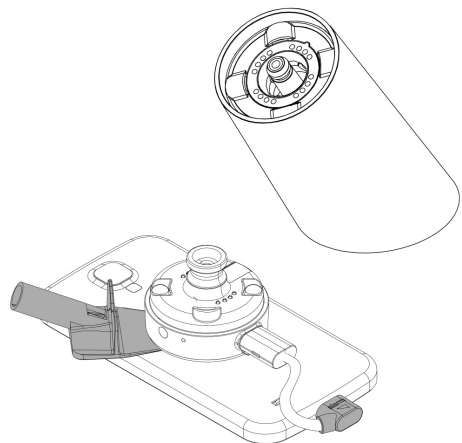
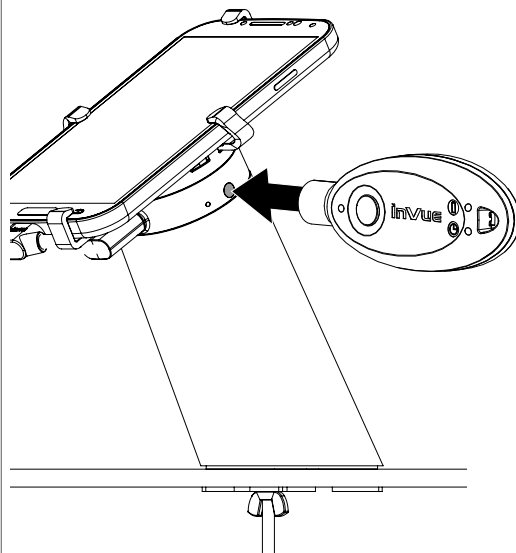


OnePOD One55

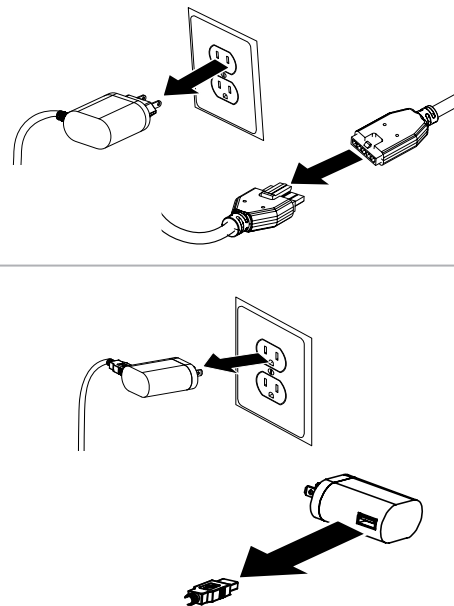
Stand, Sensor and Bracket Arms Removal



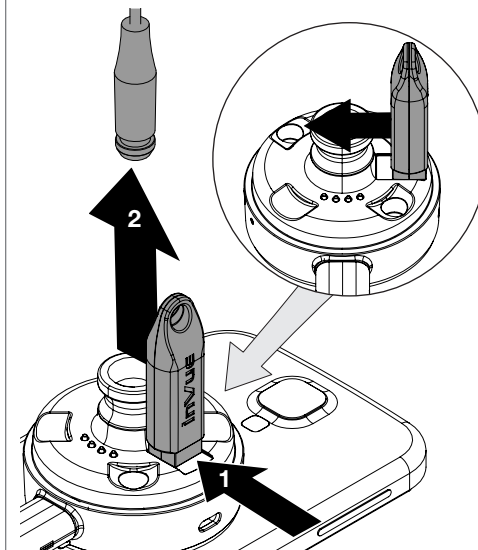
1 Deactivate the stand by placing a charged and coded IR key against the IR lens on the side of the sensor and pressing the button. The stand will chirp to confirm.



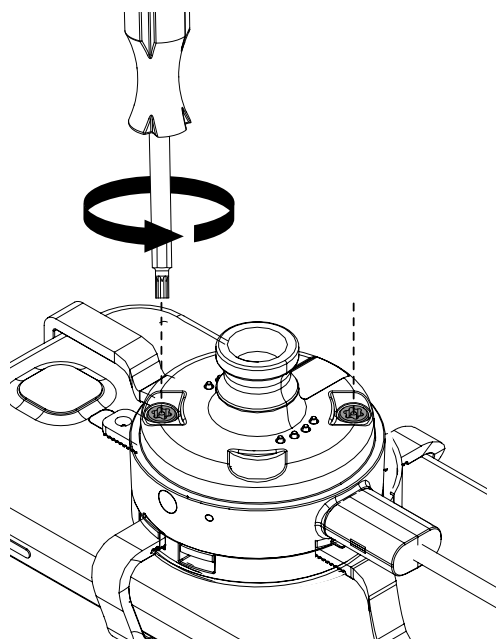
2 Unplug the power supply from the wall and disconnect the power supply from the stand's power cable.



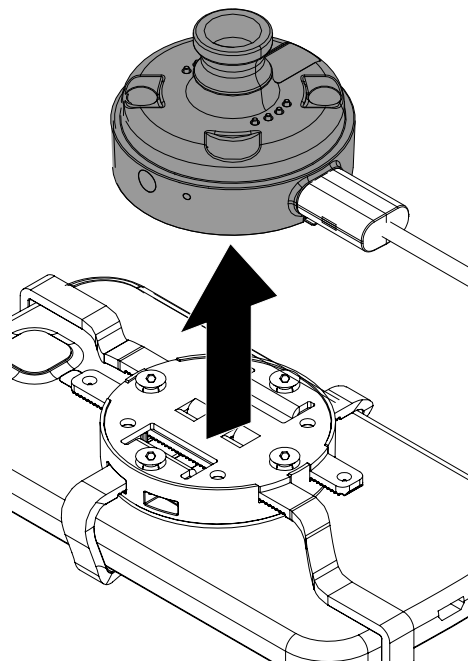
3 Remove the sensor and device from the stand. Place the magnet key (DBG400 or DBG406) into the depression on the sensor and push it inward to release the sensor cable. Pull the cable free.



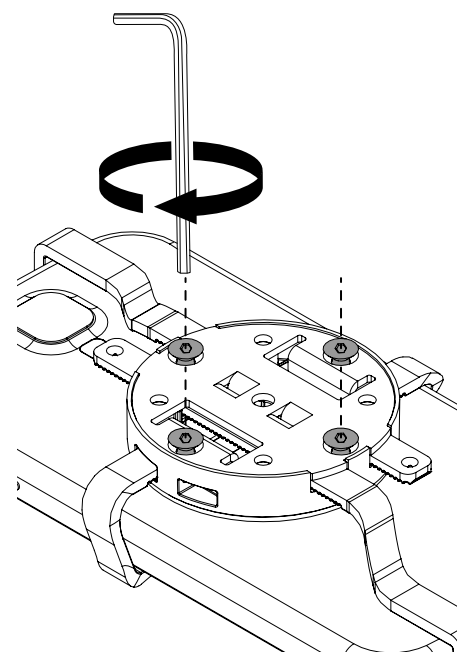
4 Use a T20 bit to remove the screws holding the sensor to the bracket plate.



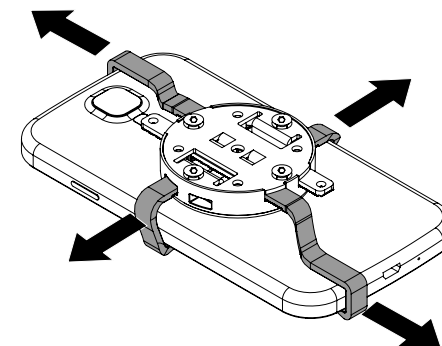
5 Remove the sensor from the bracket plate.



6 Loosen the 4 screws in the bracket plate.

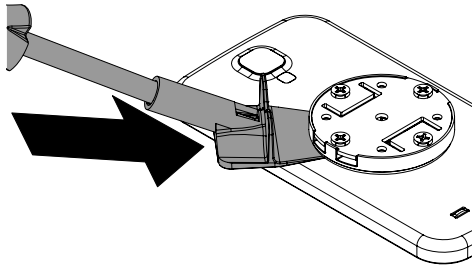


7 Slide the arms out from the bracket plate.

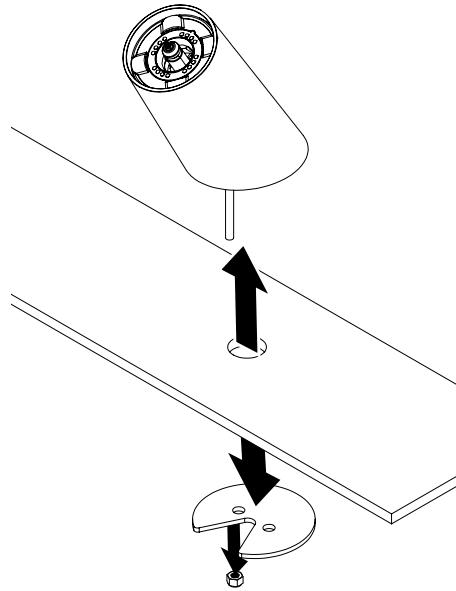


E

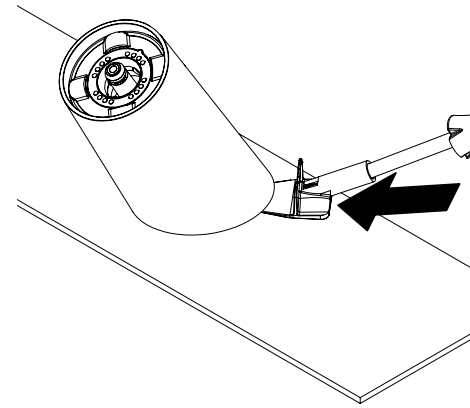
8 Use the scraper removal attachment (DNTX93) to break the adhesive bond between the sensor and the device.



9 Beneath the fixture, unscrew the wingnut (or lock nut, if used) from the stud, remove the metal plate (and slot mount adapter, if used)



10 Use the scraper removal attachment (DNTX93) to break the adhesive bond between the stand and the surface.



SD0548 Rev3 03/09/18



SABEL

P 1300 551 662

E info@sabel.com.au

© 2020 InVue Security Products Inc. All rights reserved. InVue is a registered trademark of InVue Security Products.