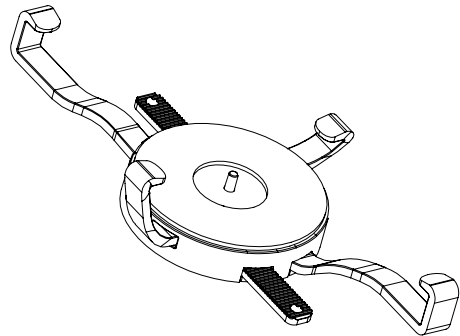
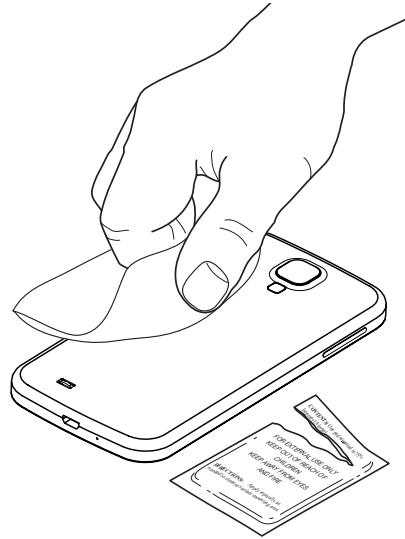


OnePOD

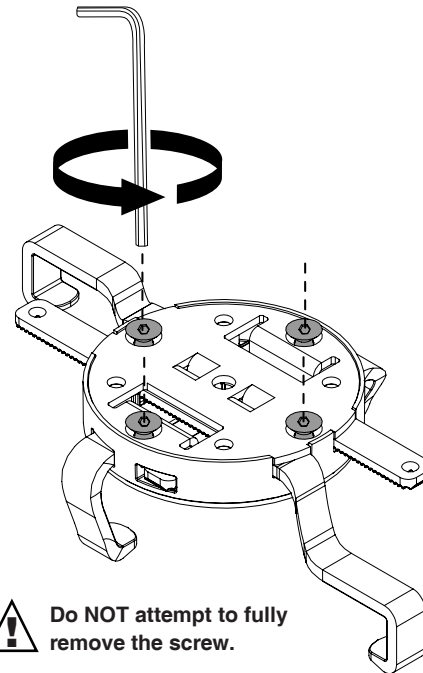
Enhanced & High Security Bracket
Arm Plates for Handhelds & Tablets
DBx29x



1 Wipe the back of device with the provided alcohol pad.
Let it dry completely.

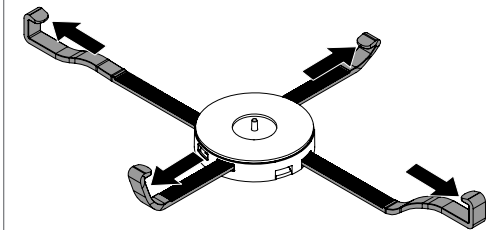


10 Loosen the 4 screws in the bottom of the bracket plate.

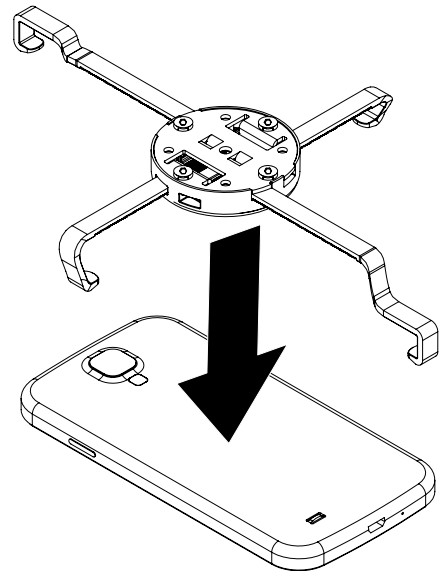


! Do NOT attempt to fully remove the screw.

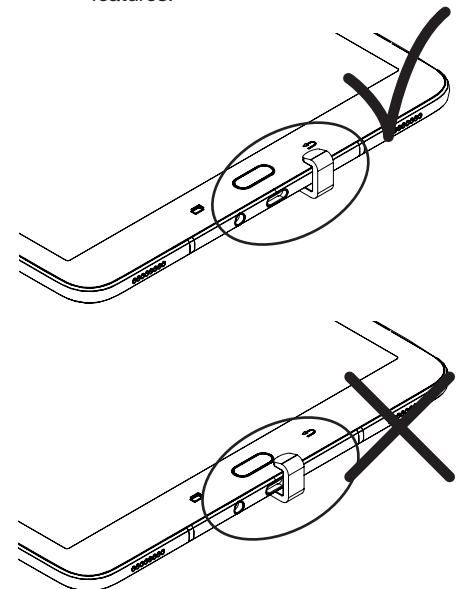
11 Slide the arms out from the bracket plate just far enough to accommodate the device.



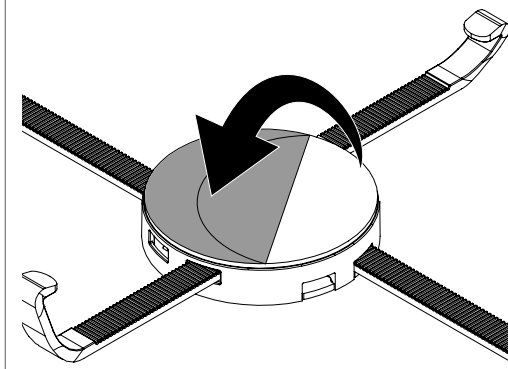
12a Before peeling the adhesive, center the bracket plate onto the back of the device to ensure that the arms will not interfere with any buttons or features on the device.



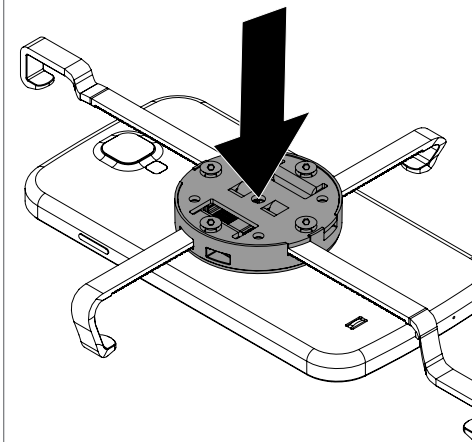
12b Optional:
The longer arms may need to be switched to prevent interference with buttons, power ports or other features.



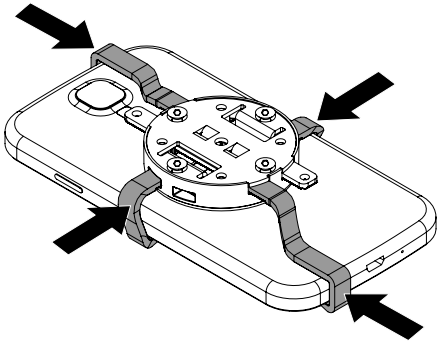
13 Remove the bracket plate from the phone and peel the clear film from the adhesive.



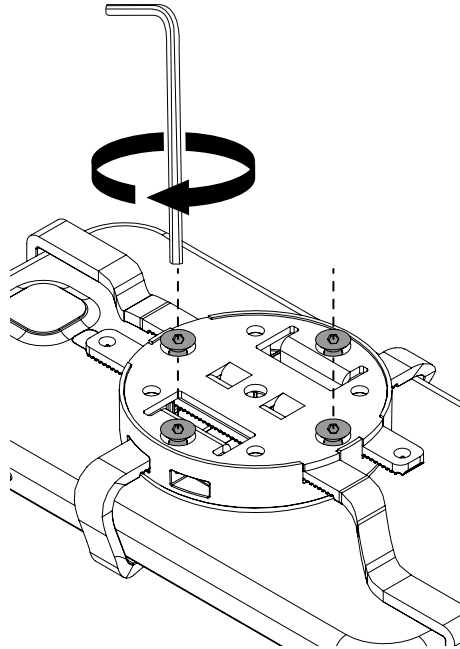
14 Place the bracket plate into the position determined in Step 12 and apply pressure for at least 10 seconds.



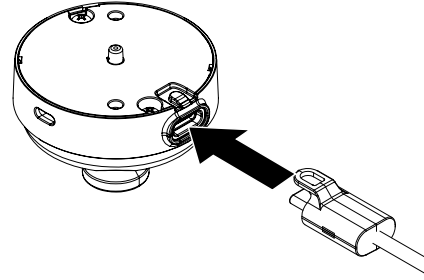
15 Slide the arms around the device.



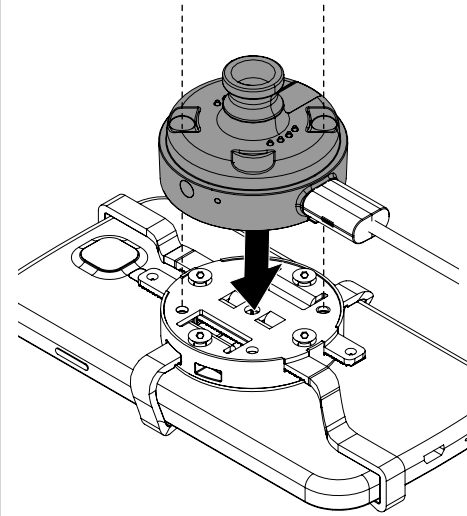
16 Tighten the 4 screws in the bottom of the bracket plate.



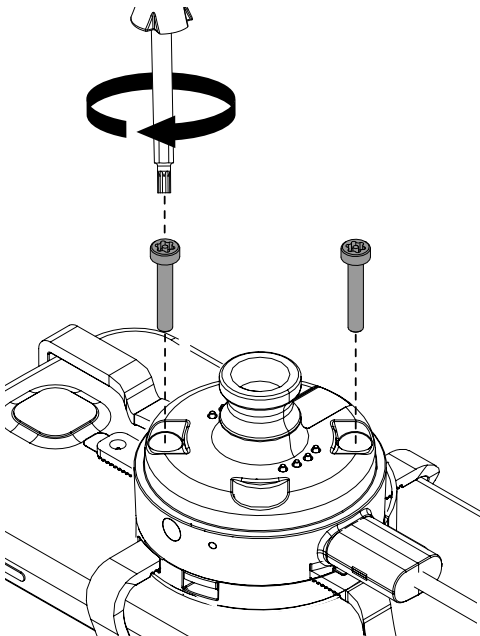
17 **Attaching the Sensor To the Bracket Plate:**
Plug the power connector into the sensor.



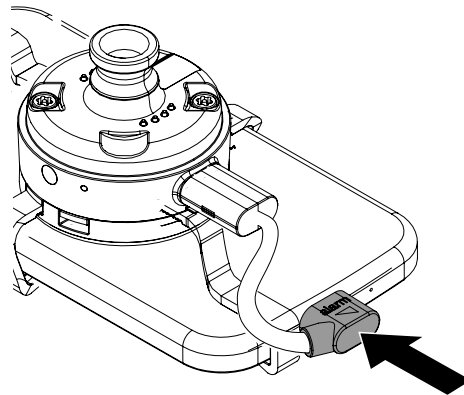
18 Align the sensor to the back of the bracket plate with the power connector facing towards the power port of the device.



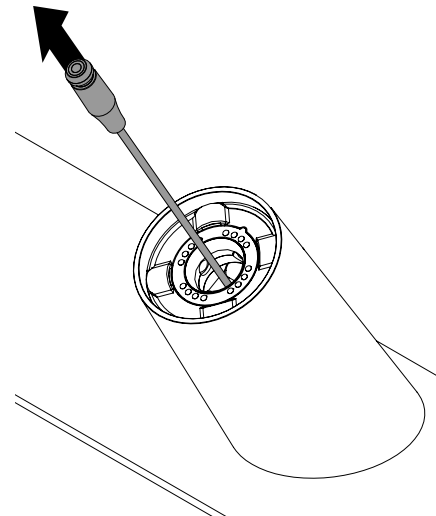
19 Insert the 2 screws and use a T20 bit to tighten and secure the sensor to the bracket plate.



20 Plug the power connector into the device.

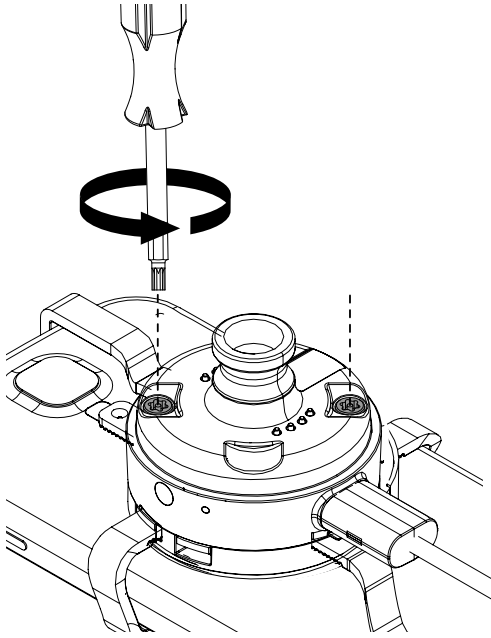


21 **Attaching the Sensor to the Stand:**
Pull the sensor cable from the stand.

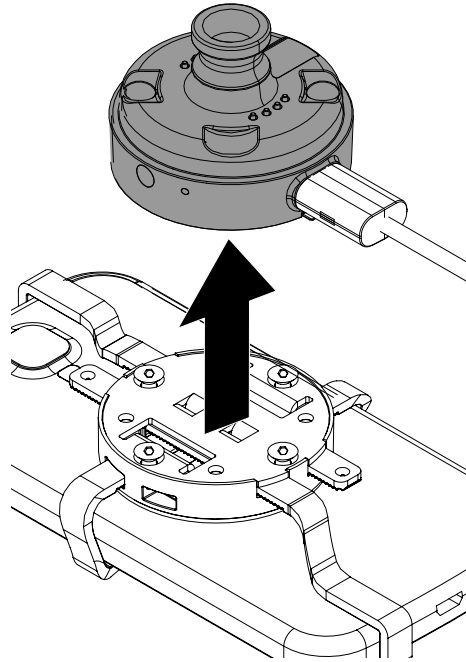


Removal:

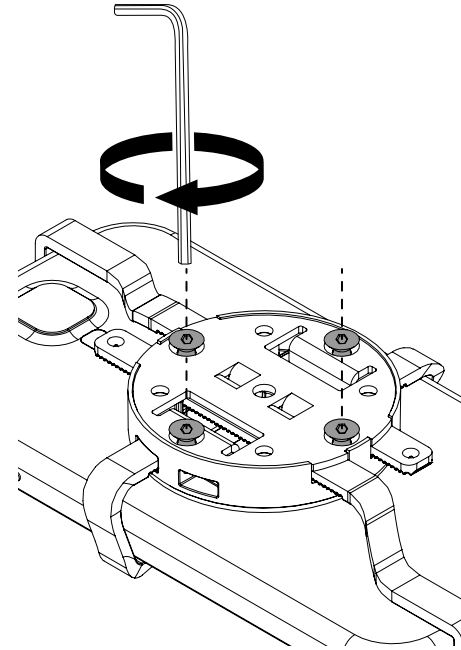
2 Use a T20 bit to remove the screws holding the sensor to the bracket plate.



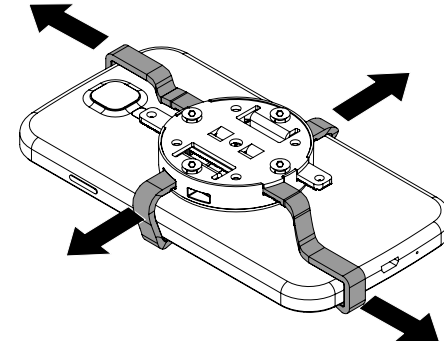
3 Remove the sensor from the bracket plate.



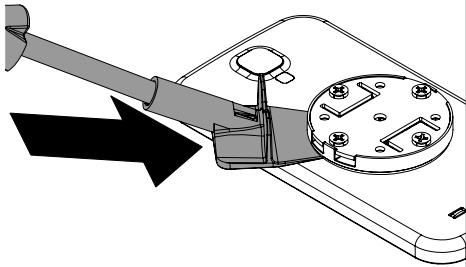
4 Loosen the 4 screws in the bracket plate.



5 Slide the arms out from the bracket plate.

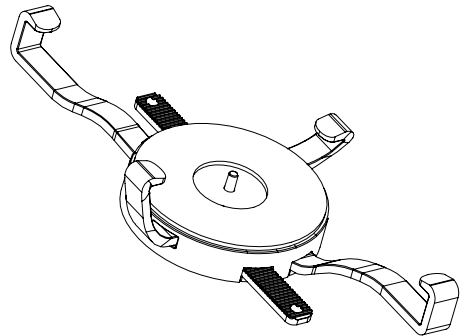


6 Use the scraper removal attachment (DNTX93) to break the adhesive bond between the sensor and the device.

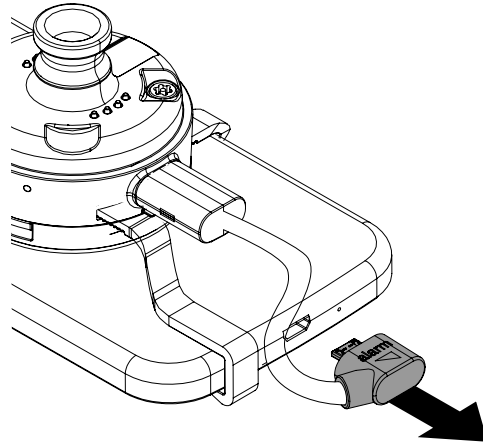


OnePOD

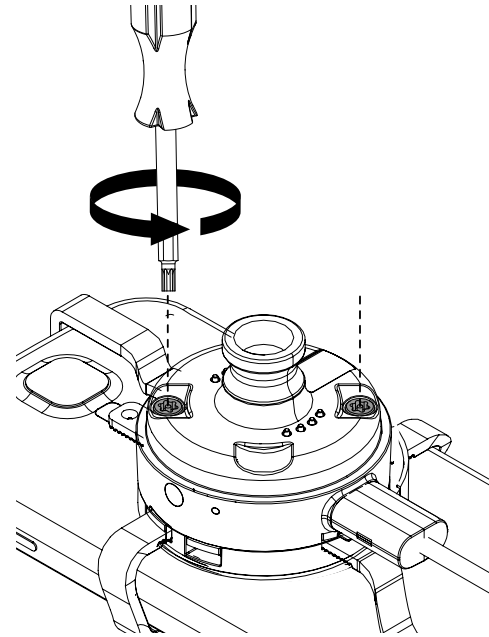
Stand, Sensor and Bracket Arms Removal



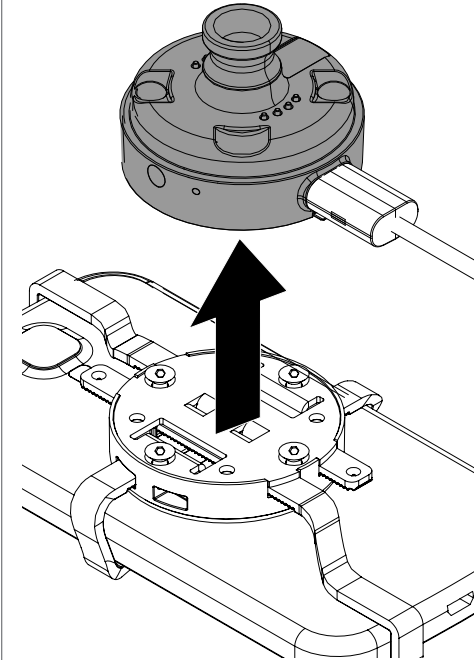
1 Unplug the power connector from the device.



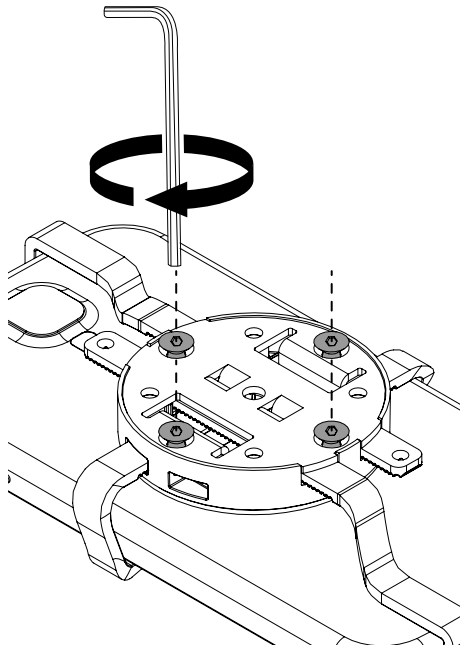
2 Use a T20 bit to remove the screws holding the sensor to the bracket plate.



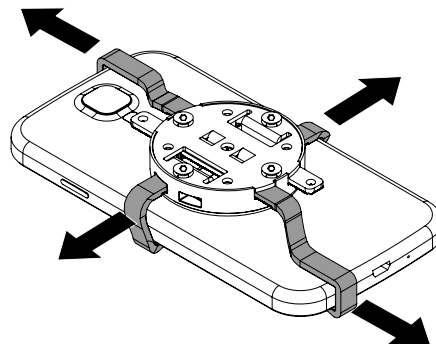
3 Remove the sensor from the bracket plate.



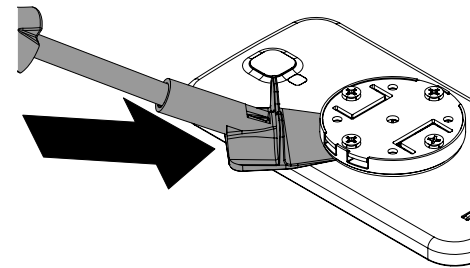
4 Loosen the 4 screws in the bracket plate.



5 Slide the arms out from the bracket plate.



6 Use the scraper removal attachment (DNTX93) to break the adhesive bond between the sensor and the device.



SD0548 Rev3 03/09/18



SABEL

P 1300 551 662

E info@sabel.com.au

© 2020 InVue Security Products Inc. All rights reserved. InVue is a registered trademark of InVue Security Products.