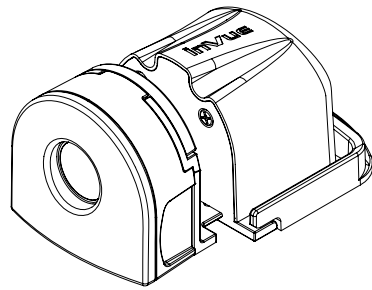
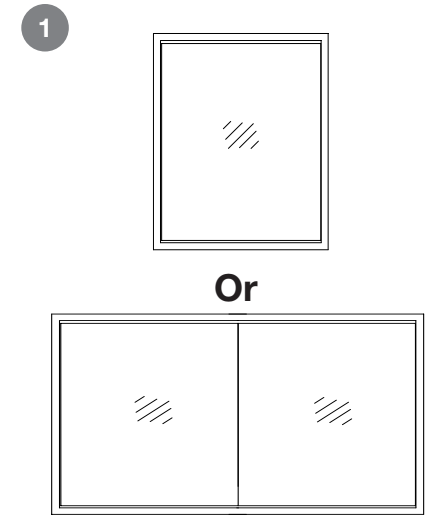
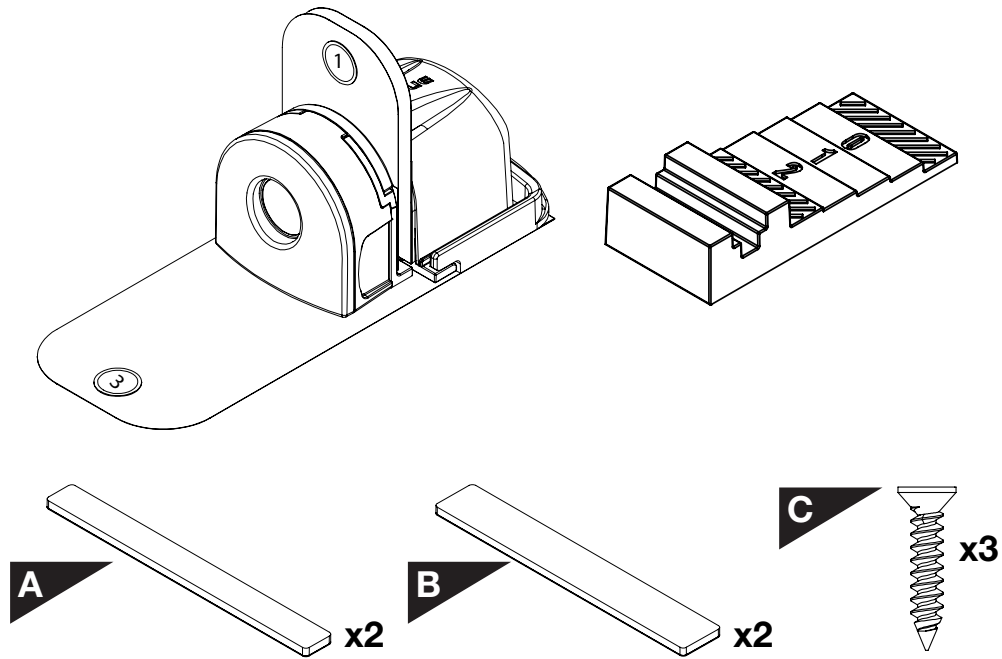


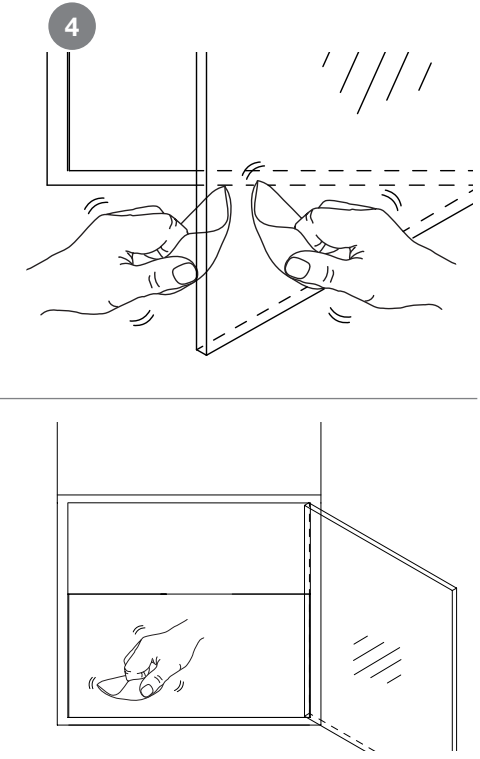
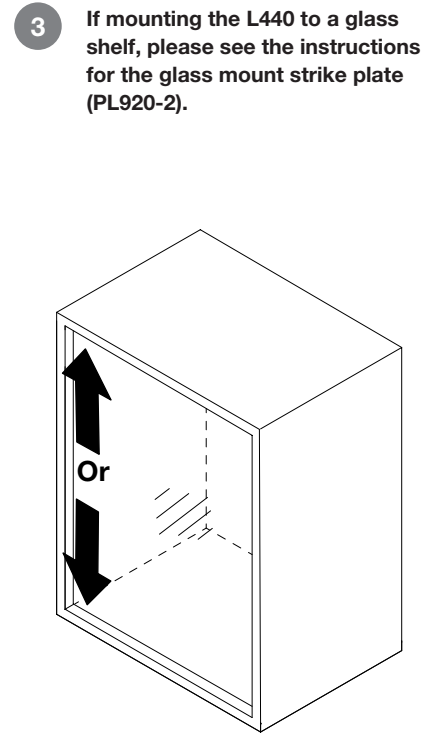
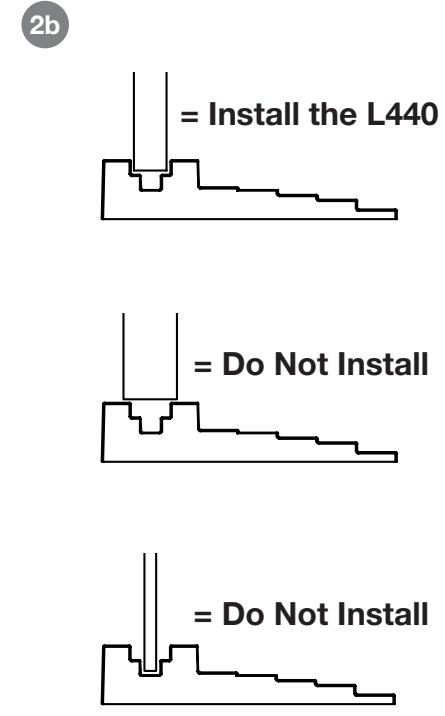
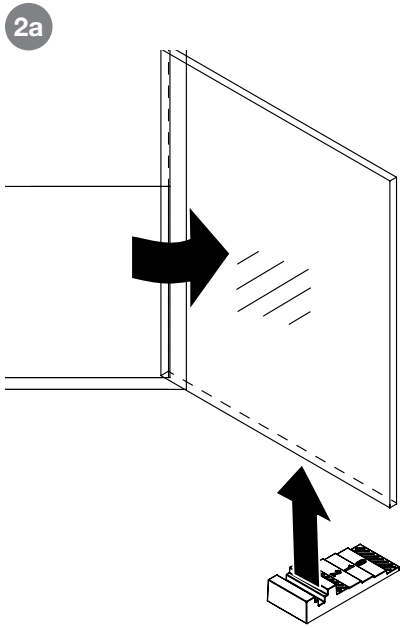
L440 Lock
PL901



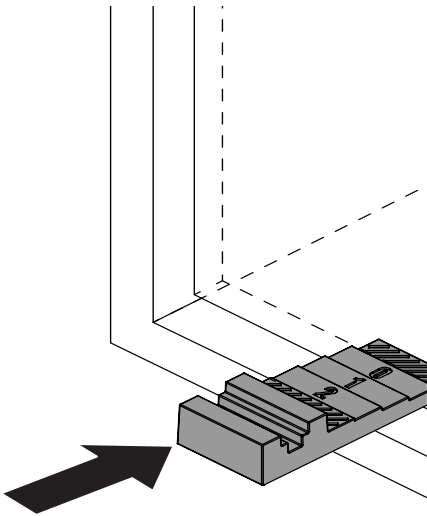
Included Parts



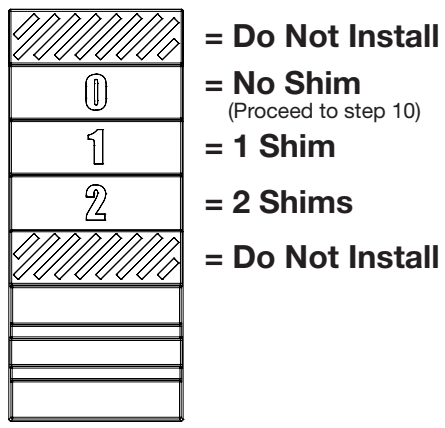
CAUTION: If the L440 will be installed on a double door fixture please see the instruction sheet for the door brace (PL920-01).



5

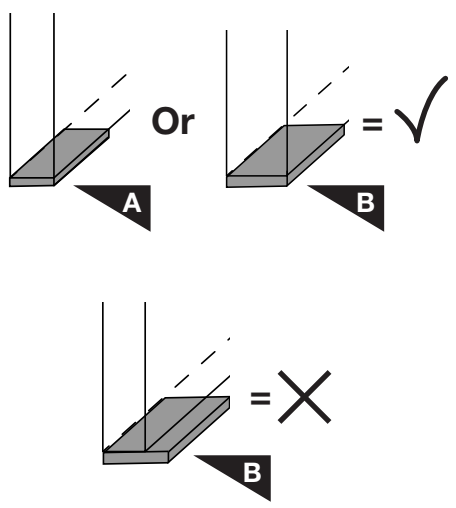


6



7

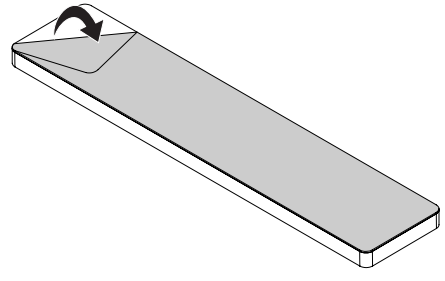
If needed from steps 5 & 6.



CAUTION: Be sure that the shim is not wider than the thickness of the glass door.

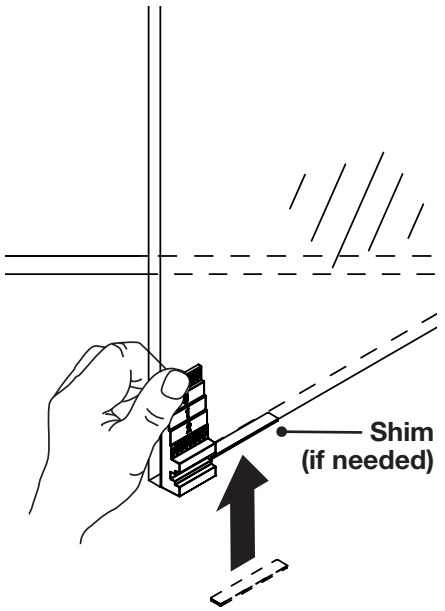
8

If needed from steps 5 & 6.

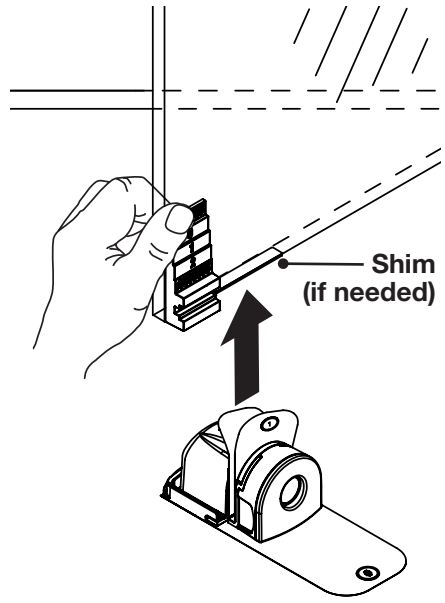


9

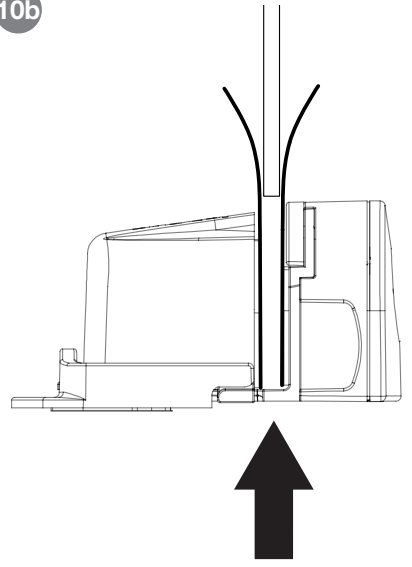
If needed from steps 5 & 6.



10a



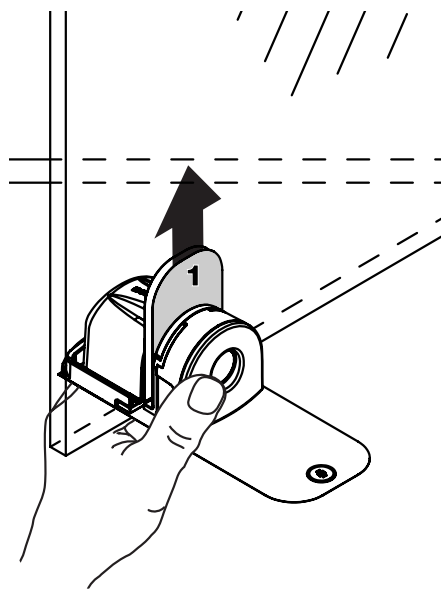
10b



CAUTION: Be sure that the glass goes between the 2 adhesive liners on the lock housing and that the lock is pressed against the bottom edge of the glass or shim (if needed).

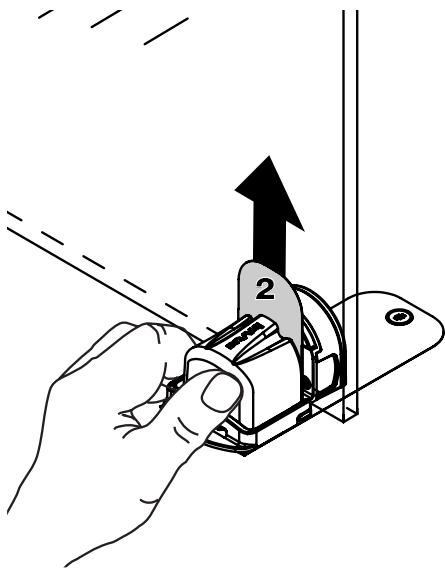
11

Remove release liner #1



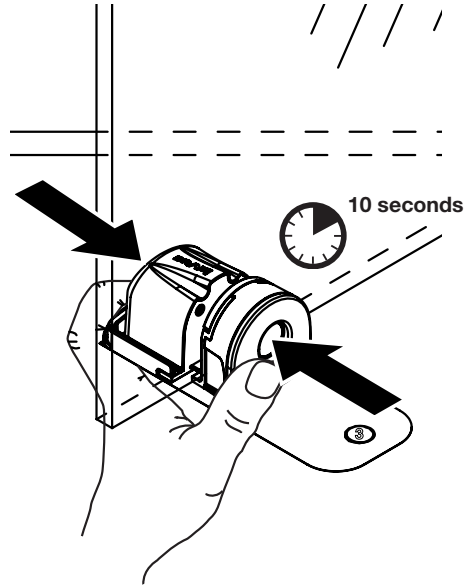
Note: Be sure that the lock housing is pressed firmly against the glass.

12 Remove release liner #2

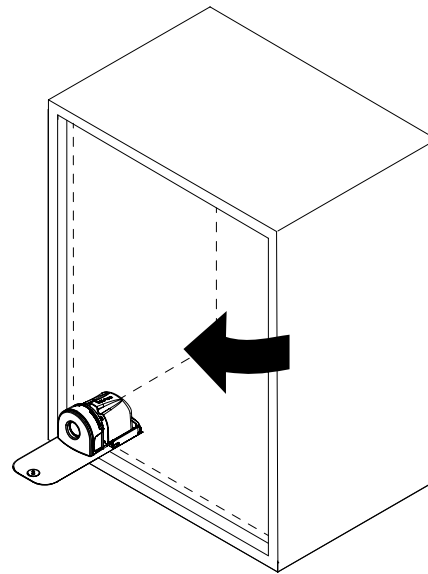


Note: Be sure that the lock housing is pressed firmly against the glass.

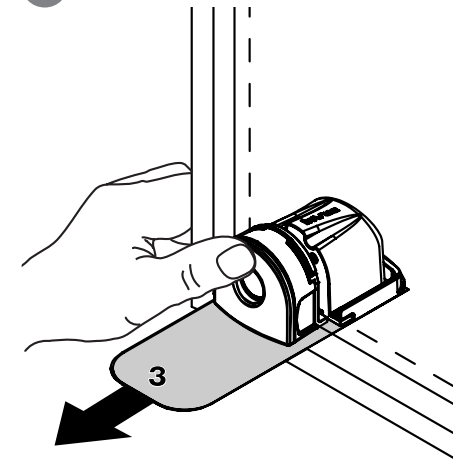
13



14a

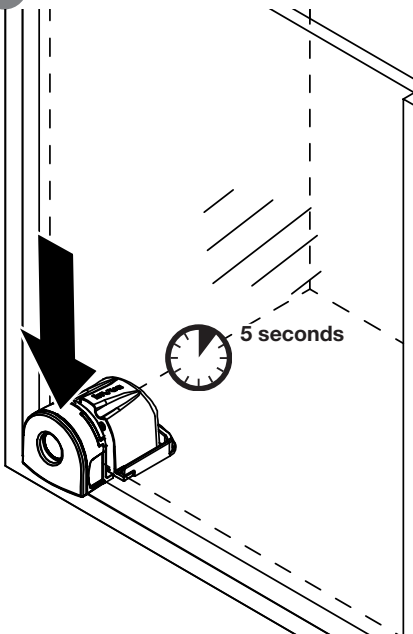


14b Remove release liner #3

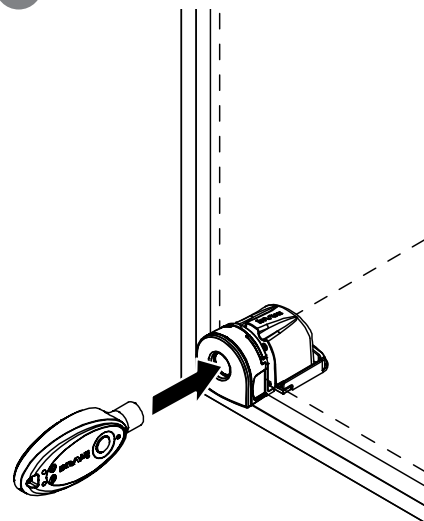


CAUTION: Hold the door in the closed position while pulling the #3 adhesive liner.

15

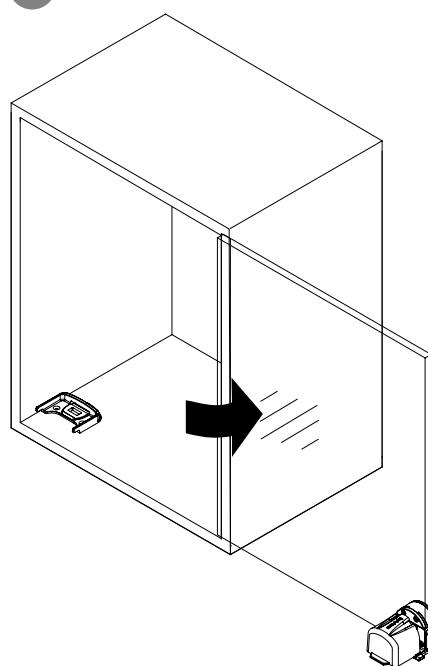


16

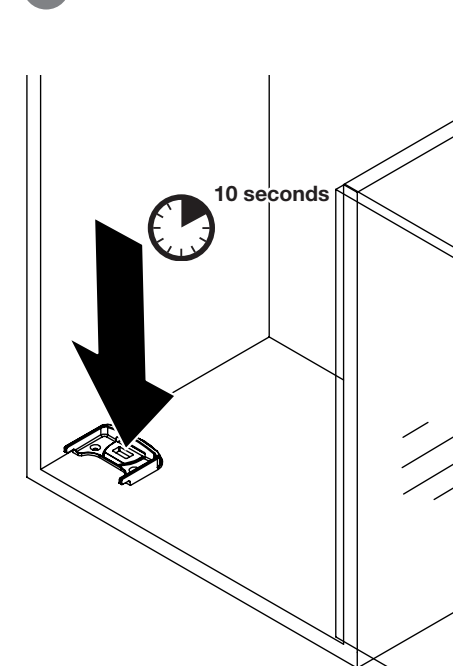


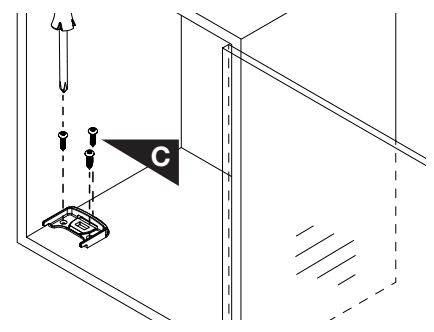
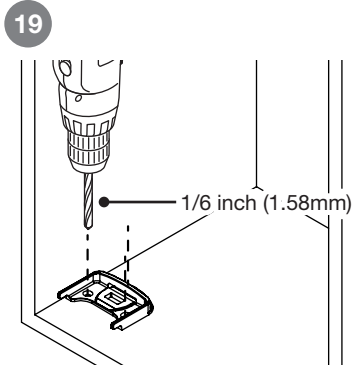
Note: If the key does not beep and makes a "knack-knack" sound it means the key was pulled away too soon. Try again and wait for the beep before pulling the key away.

17

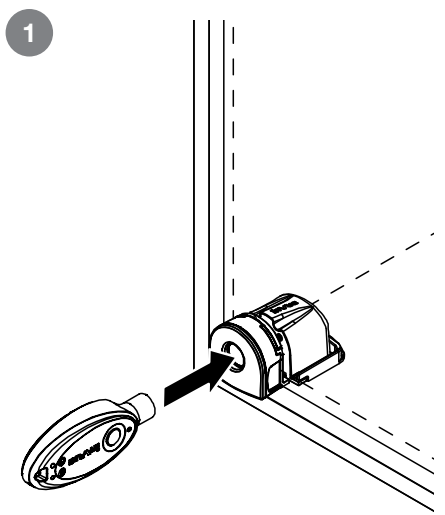


18

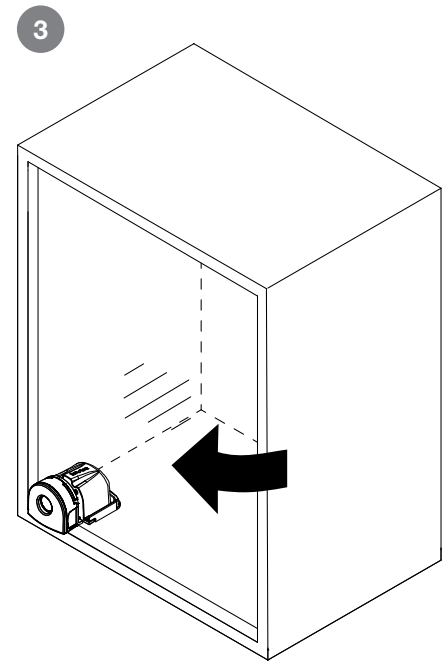
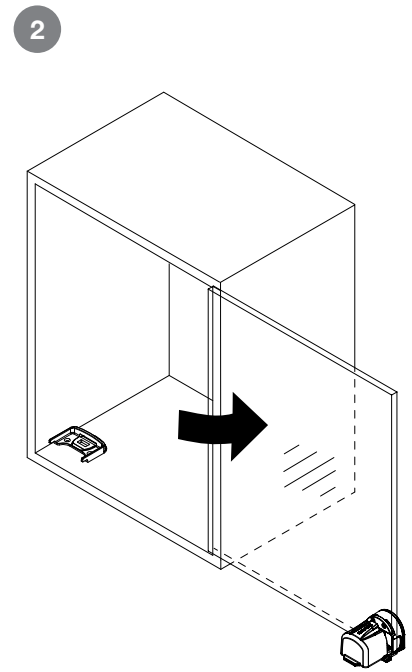




Use Instructions:



Note: If the key does not beep and makes a “knack-knack” sound it means the key was pulled away too soon. Try again and wait for the beep before pulling the key away.



SD0753 Rev2 18/10/21



SABEL

1300 551 662
info@sabel.com.au