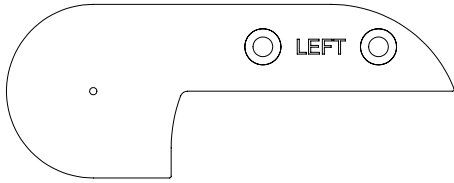
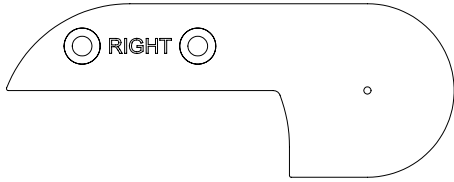


# invue SABEL

## L440

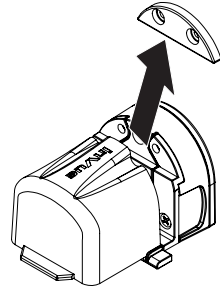
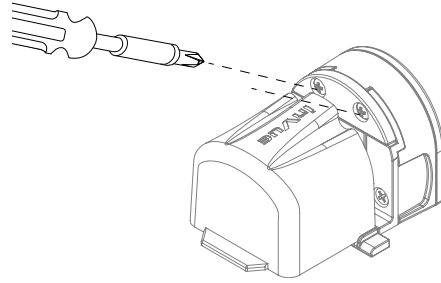
Door Brace Kit  
PL920-01



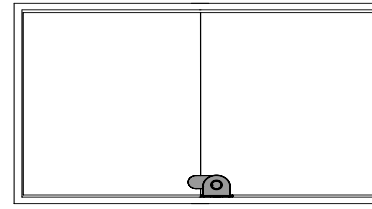
A



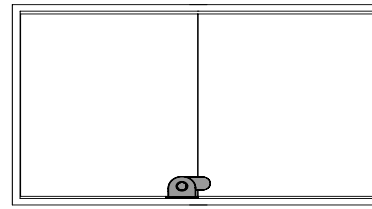
1



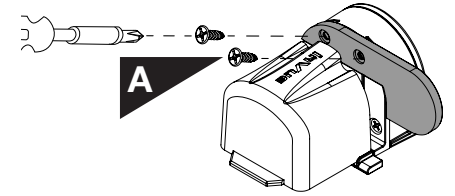
2



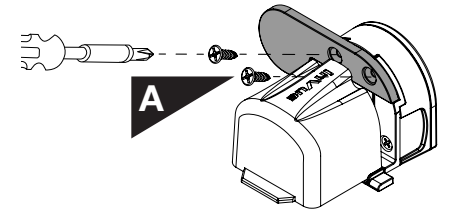
Or



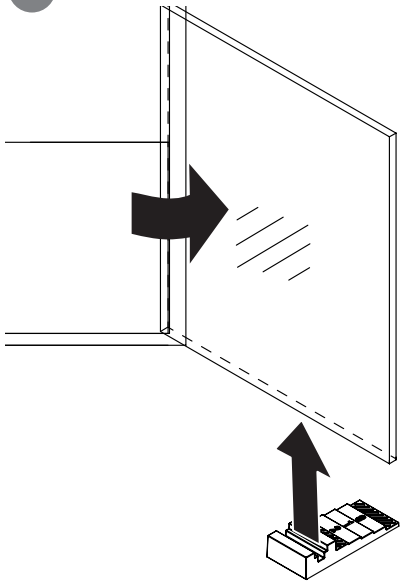
3



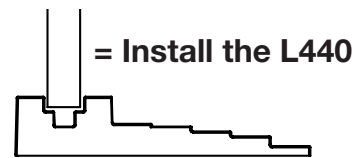
Or



4a

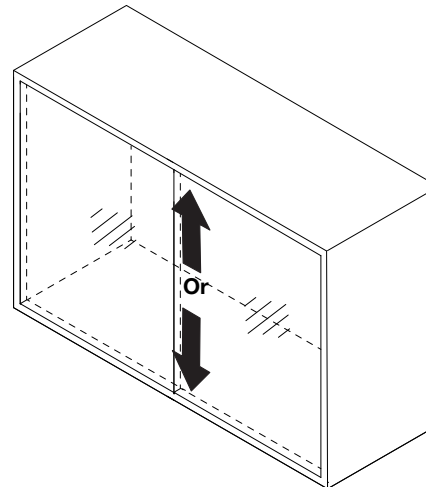


4b

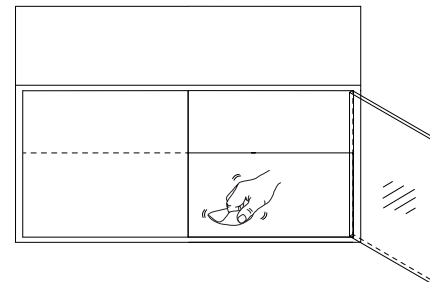
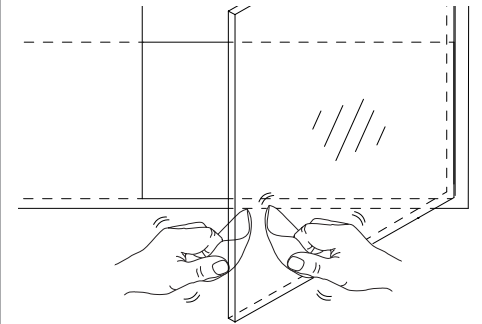


5

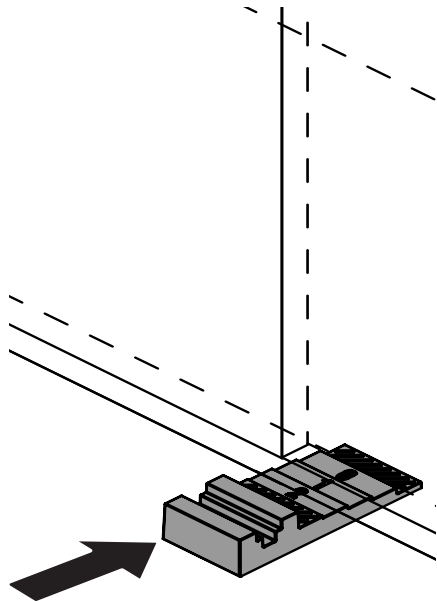
If mounting the L440 to a glass shelf, please see the instructions for the glass mount strike plate (PL920-2).



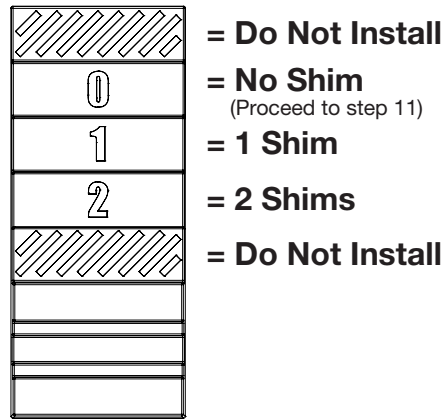
6



7

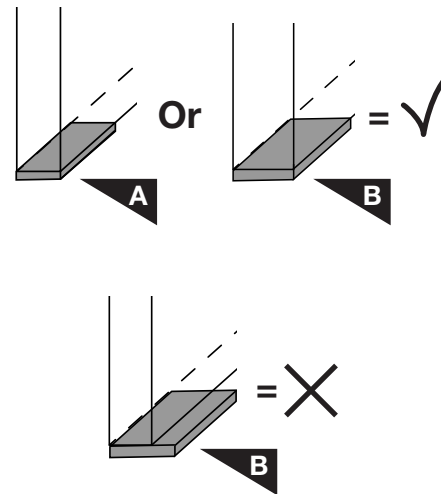


8



9

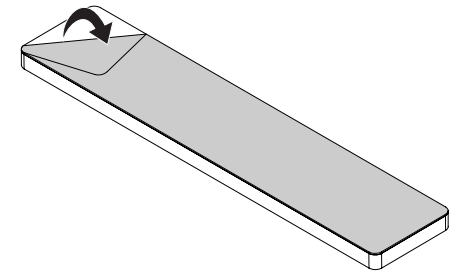
If needed from steps 7 & 8.



**CAUTION:** Be sure that the shim is not wider than the thickness of the glass door.

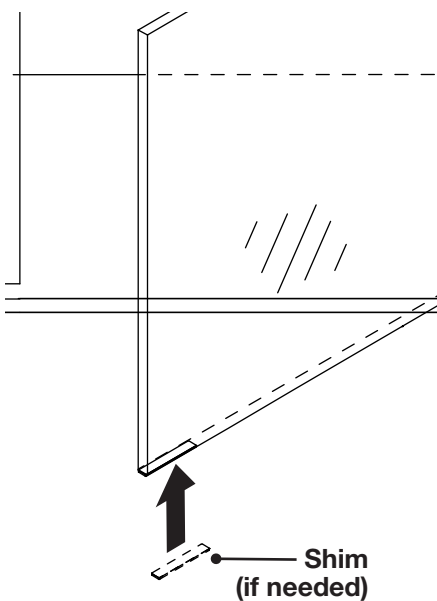
10a

If needed from steps 7 & 8.

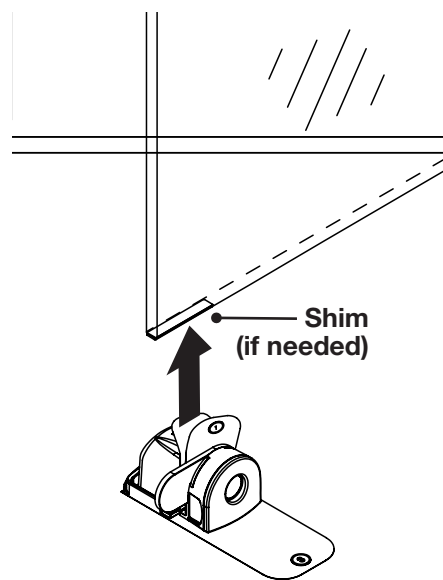


10b

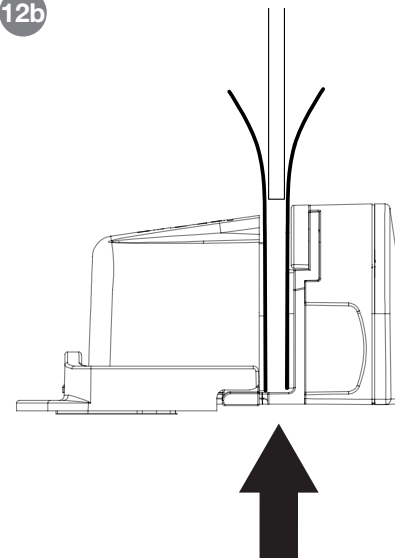
If needed from steps 7 & 8.



11



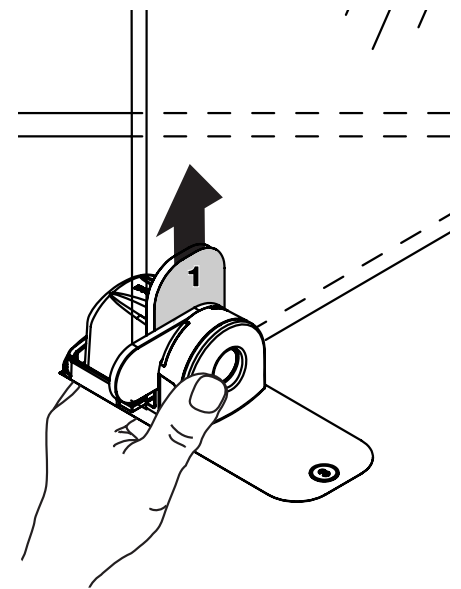
12b



**CAUTION:** Be sure that the glass goes between the 2 adhesive liners on the lock housing and that the lock is pressed against the bottom edge of the glass or shim (if needed).

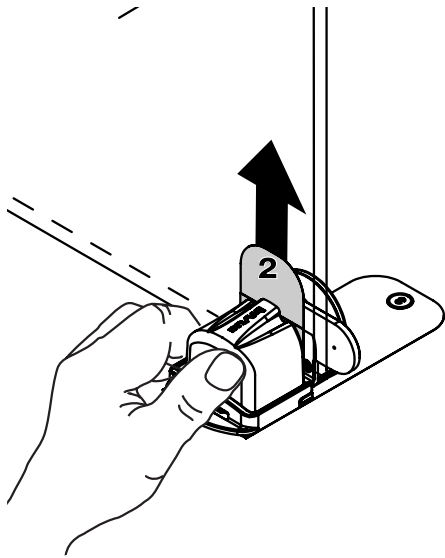
13

Remove release liner #1



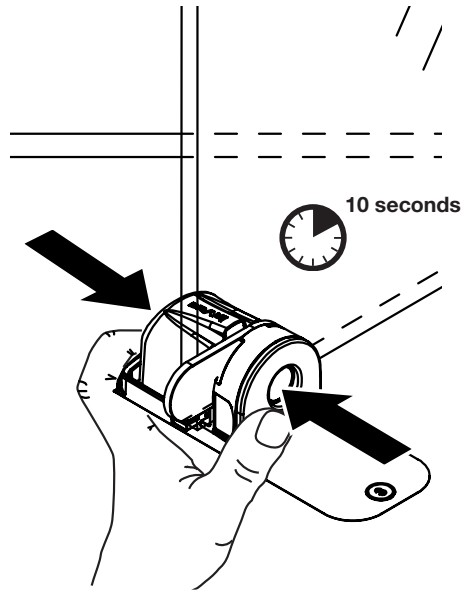
**Note:** Be sure that the lock housing is pressed firmly against the glass.

14 Remove release liner #2

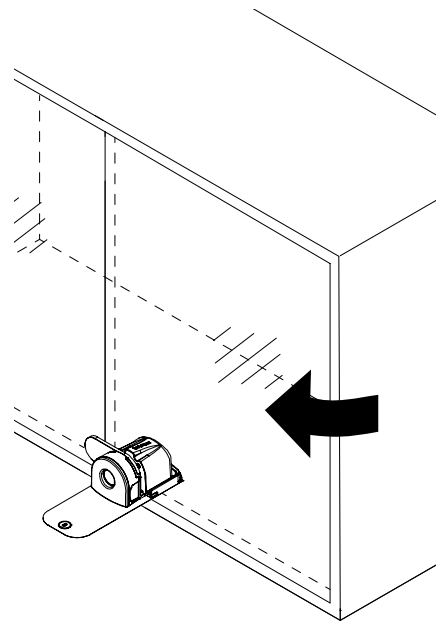


**Note:** Be sure that the lock housing is pressed firmly against the glass.

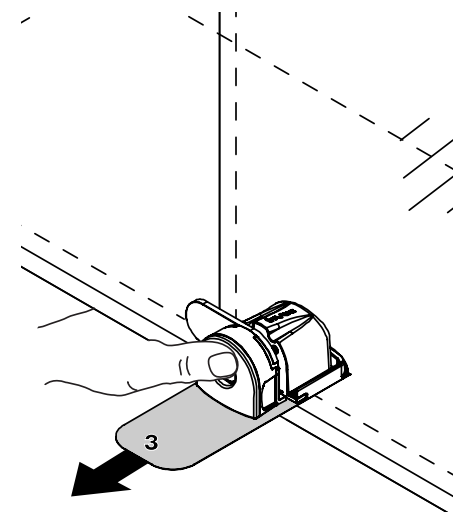
15



16a

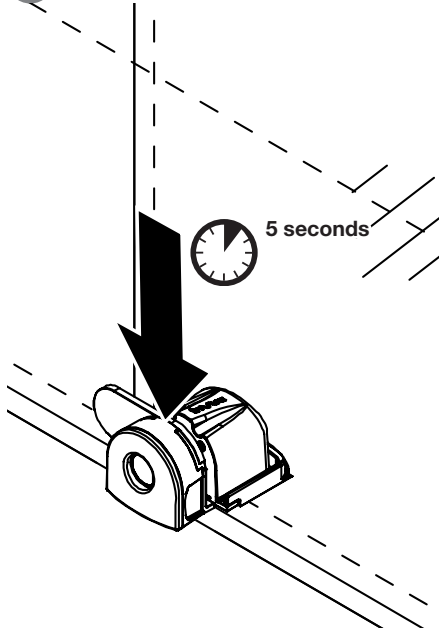


16b Remove release liner #3

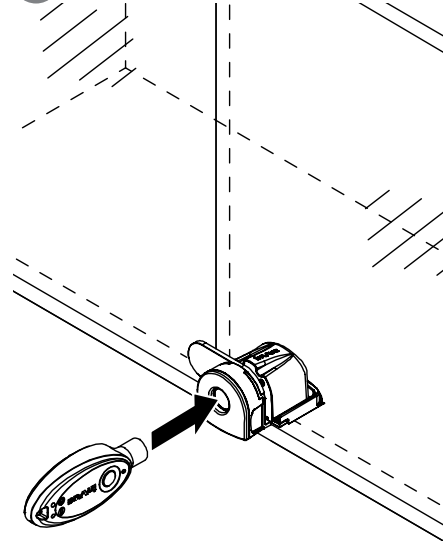


**CAUTION:** Hold the door in the closed position while pulling the #3 adhesive liner.

17

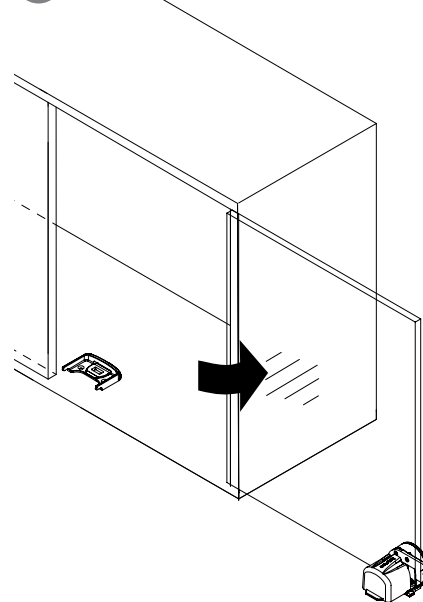


18

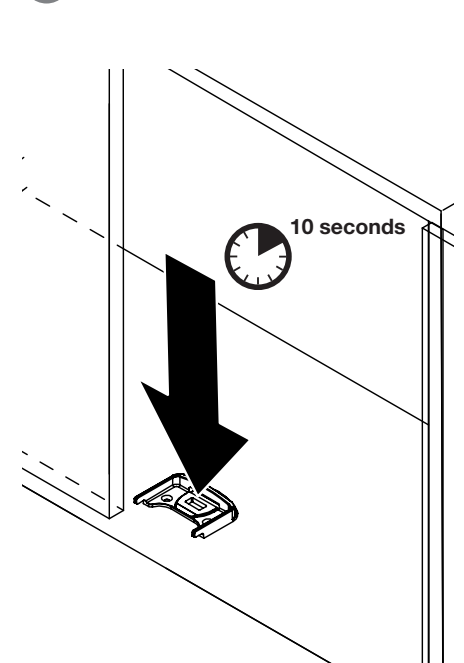


**Note:** If the key does not beep and makes a "knack-knack" sound it means the key was pulled away too soon. Try again and wait for the beep before pulling the key away.

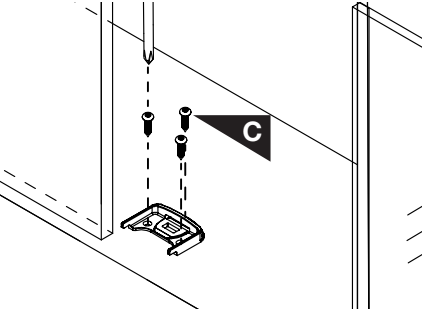
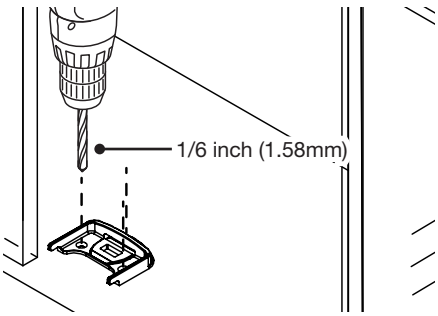
19



20

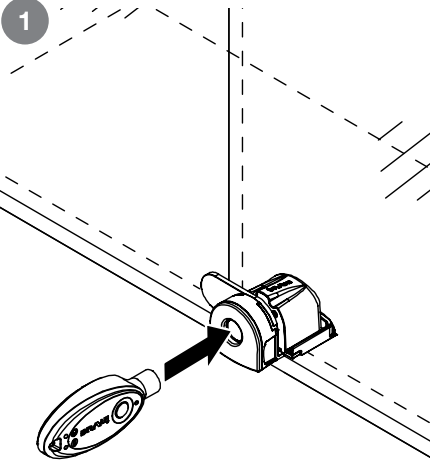


21



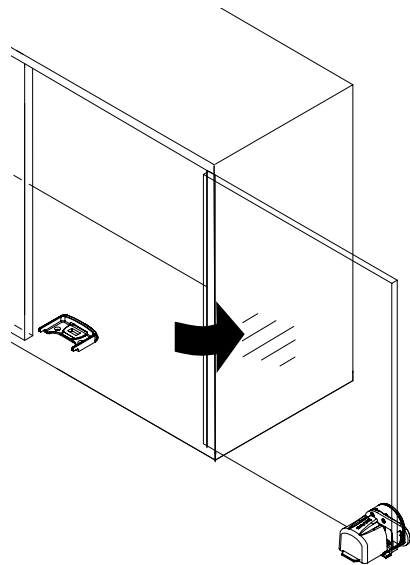
**Use Instructions:**

1

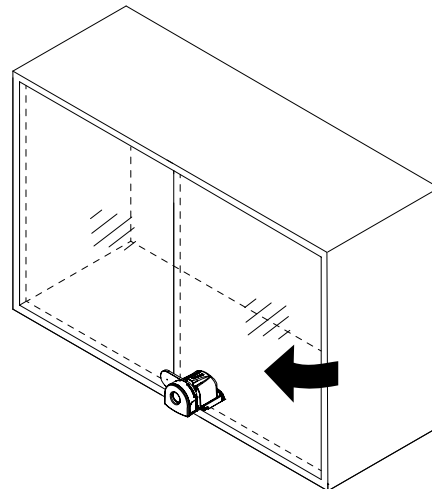


**Note:** If the key does not beep and makes a “knack-knack” sound it means the key was pulled away too soon. Try again and wait for the beep before pulling the key away.

2



3



SD0753 Rev2 18/10/21



**SABEL**

1300 551 662

info@sabel.com.au