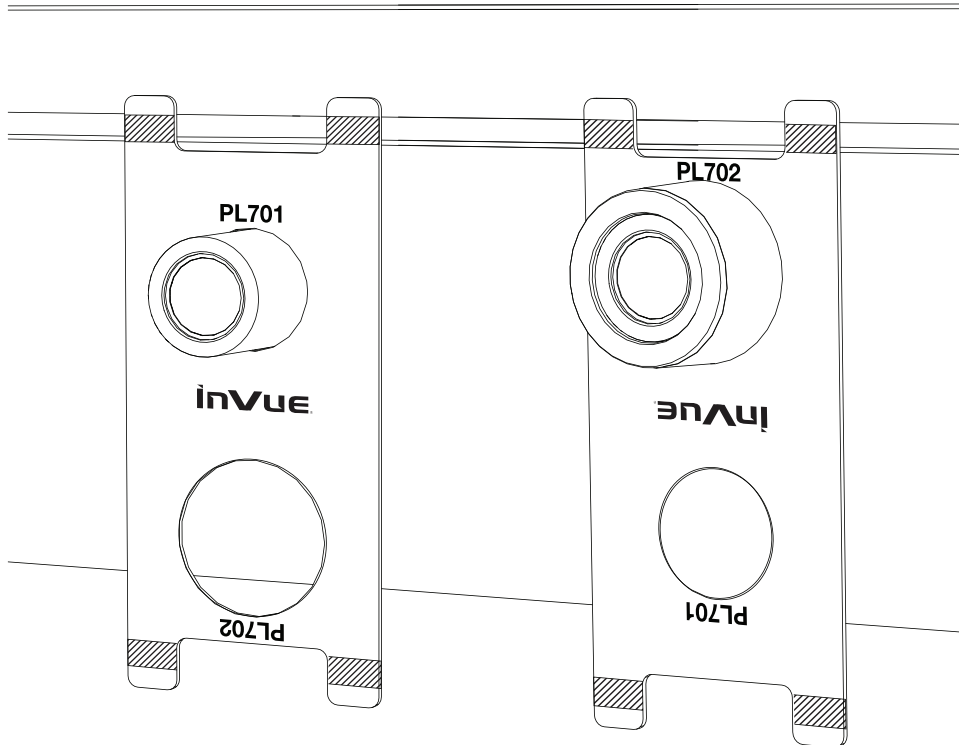
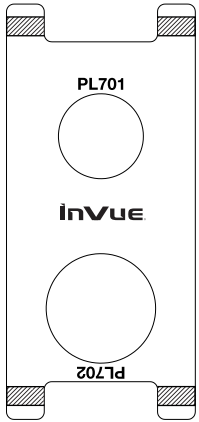


L430 Sizing Tool

Self Latch SmartLok
PL752



Panel should be 20 mm (0.75") thick.

Fit sizing tool over existing lock or hole in fixture to determine which lock will be installed (PL701 or PL702).

The top of the panel should align with the shaded area.

SD0753 Rev2 18/10/21



SABEL

1300 551 662
info@sabel.com.au