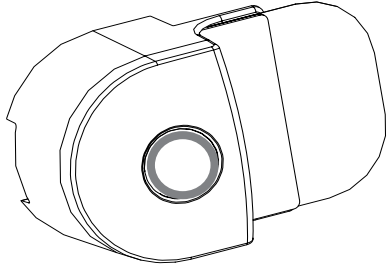


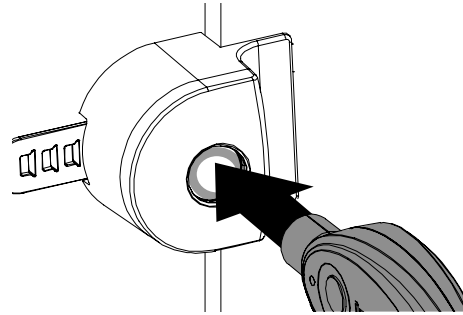
L410 Lock

Usage Instructions

PL801

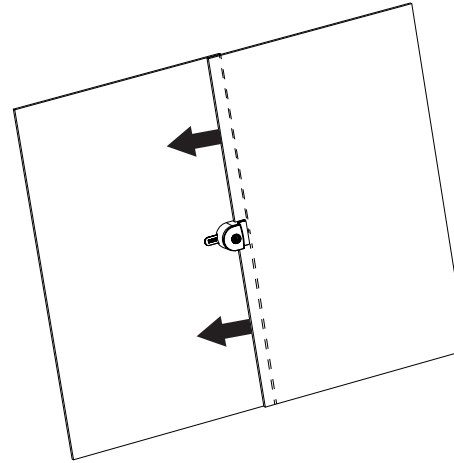


- 1 To unlock the L410 press the OneKEY into IR lens on front of lock housing and press the button. Wait for the IR2 or IR3 key to beep before removing key from IR lens.

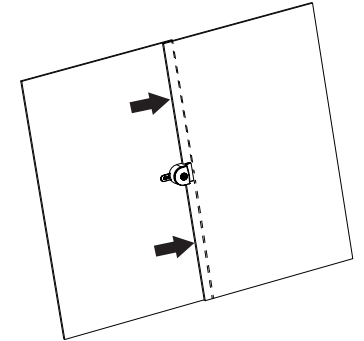


Note: If the key does not beep and makes a knock-knock sound it means the key was pulled away too soon. Try again and wait for the beep before pulling key away.

- 2 Within 3 seconds after key beep, open the outer glass panel using the L410 outer cover as a handle.



- 3 To lock the L410 slide the glass panels closed. The L410 will self latch into the locked position.



SD0753 Rev2 18/10/21



SABEL

1300 551 662
info@sabel.com.au