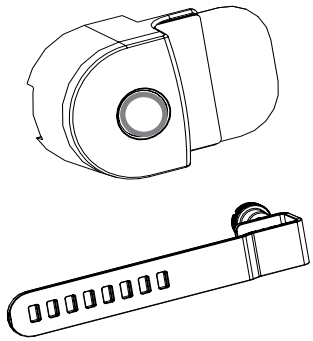
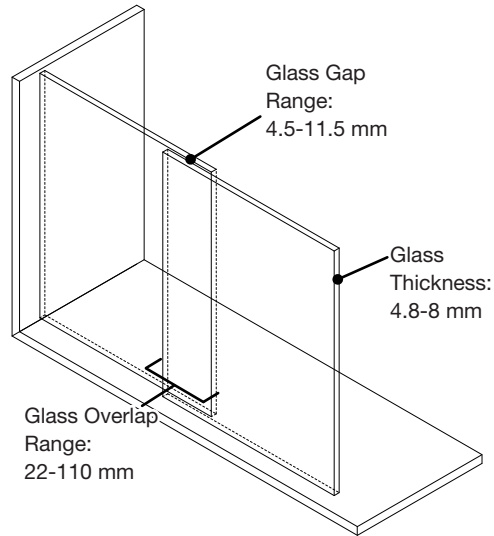


L410 Lock

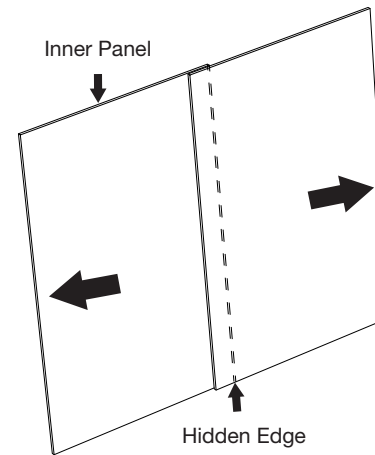
PL801



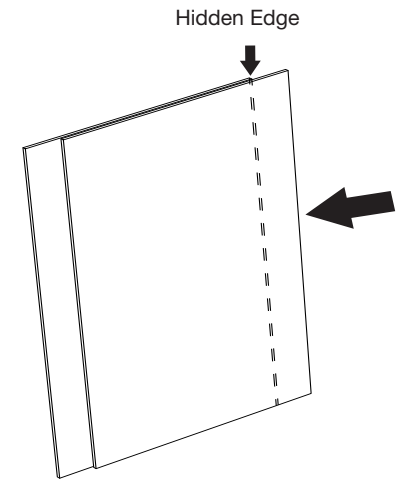
- 1 Determine that the fixture meet the below specifications. if it does not, **DO NOT MOUNT THE L410.**



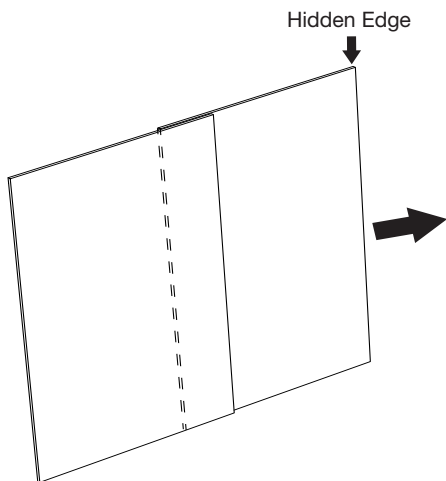
- 2 Fully close both glass panels and identify the inner glass panel.



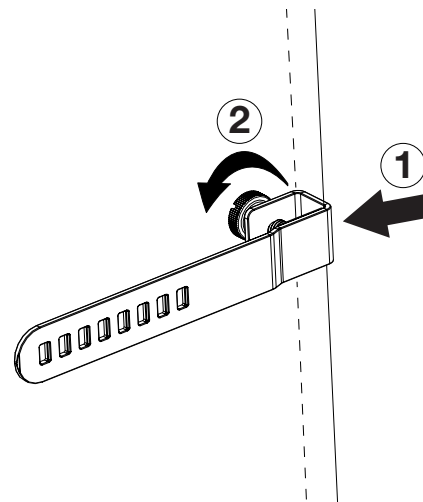
- 3 Open the outer panel fully.



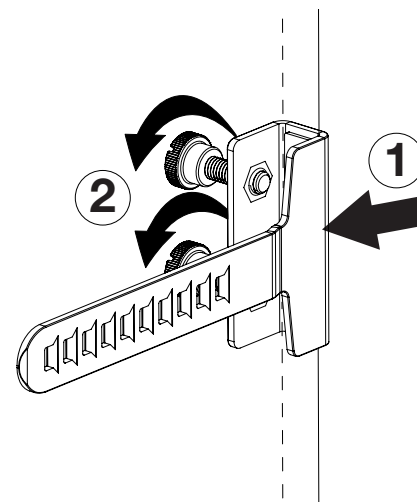
- 4 Move the inner panel out to have access to the hidden edge of the inner glass panel.



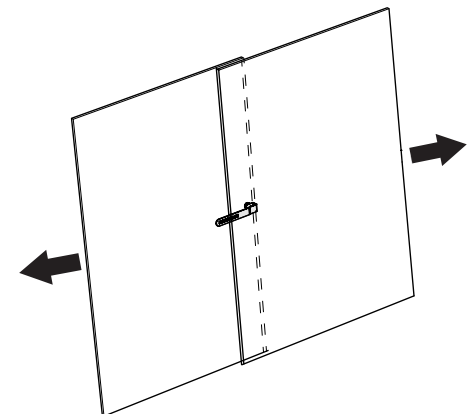
- 5 If using the standard strike plate (PL820-1 or PL820-2), slide the strike plate over the edge of inner panel. Tighten the screw.



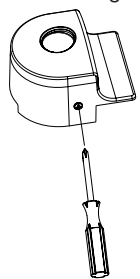
- 5b If using the wide attachment strike plates (PL820-11 or PL820-21), tighten both screws.



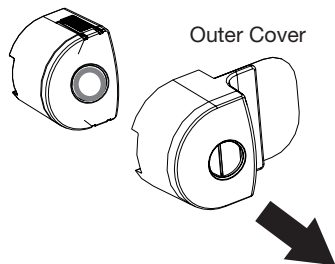
- 6 Fully close both glass panels.



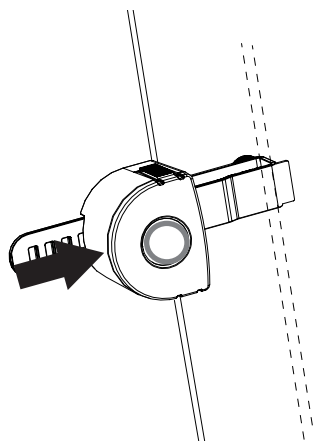
- 7 Use the provided screwdriver to loosen the set screw. Separate outer cover from lock housing.



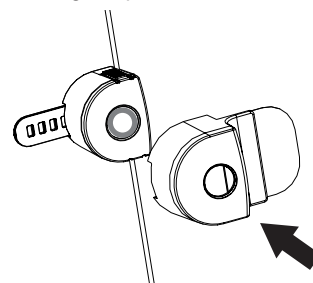
Lock Housing



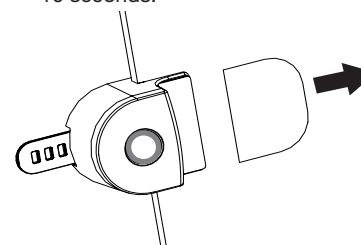
- 8 Slide lock housing completely onto strike plate. Confirm lock housing is pushed against edge of outer panel.



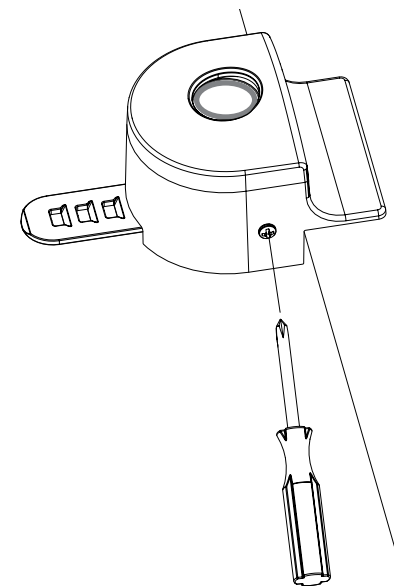
- 9 Slide outer cover onto lock housing until it rests against the surface of the outer glass panel.



- 10 Press outer cover against outer glass panel to hold in place and pull adhesive tab. Press and hold adhesive against outer glass panel for 10 seconds.

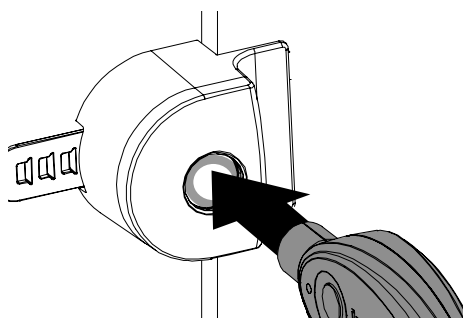


- 11 Use screw driver provided to tighten set screw on outer cover. Do not over tighten.



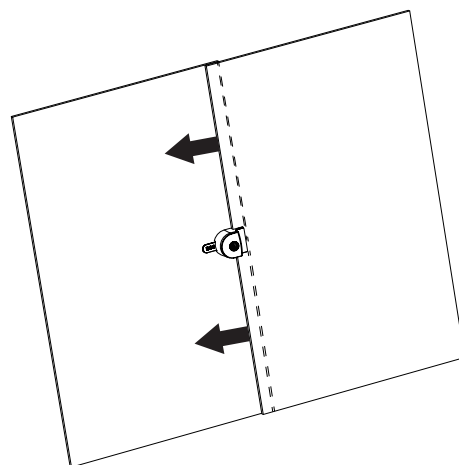
Use:

- 1 To unlock the L410 press a OneKEY into IR lens on front of lock housing and press the button. Wait for the IR2 or IR3 key to beep before removing key from IR lens.

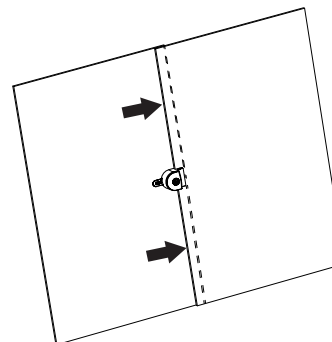


Note: If the key does not beep and makes a knock-knock sound it means the key was pulled away too soon. Try again and wait for the beep before pulling key away.

- 2 Within 3 seconds after key beep, open the outer glass panel using the L410 outer cover as a handle.



- 3 To lock the L410 slide the glass panels closed. The L410 will self latch into the locked position.



SD0753 Rev2 18/10/21



SABEL

1300 551 662
info@sabel.com.au

© 2021 InVue Security Products Inc. All rights reserved.
InVue is a registered trademark of InVue Security Products.