

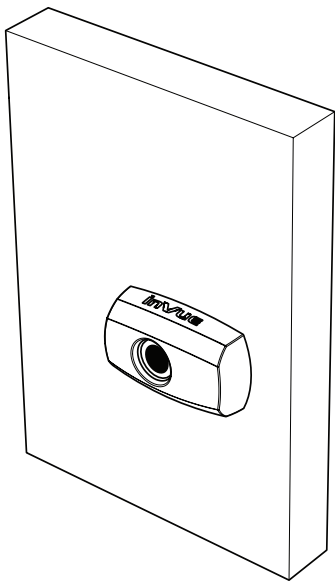
inVue

SABEL

Smart Lock

Cam Lock - Instructions

PL302



Overview

Review entire instruction guide and complete cabinet assessment before starting installation. Proper operation requires cam arm to latch to optional bracket or cabinet structure.

Application & Cabinet Specification

The Cam Lock is designed for glass, wood or metal swing-out or pull-out doors and drawers with panels up to 21 mm (0.83") thick. A 19 mm (0.75") hole is required to mount the lock body into a fixture latch. Latch brackets are optional.

System Components

1. Cam Lock (PL302)
2. Cam Arm*
3. L-Bracket or Flat Bracket (optional)
4. IR2 Key (PK4400)

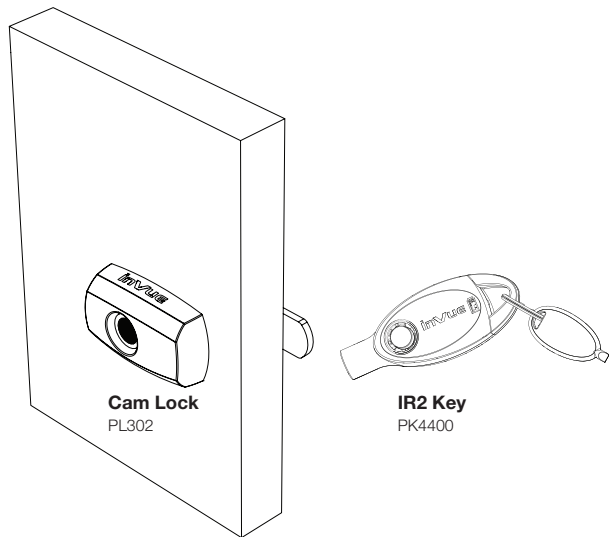
Tool Requirements

1. Pencil
2. Adjustable Wrench
3. Power Drill and Bit
4. Phillips #1 Screwdriver

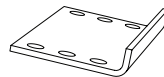
Setup in 5 easy steps:

1. Gain access to front and back of door or drawer
2. Place Cam Lock body into hole from outside of fixture
3. Affix anti-rotation brackets (wood or glass applications)
4. Attach cam arm to lock body and test alignment and rotational direction
5. Attach latch bracket (L or flat) to cabinet if needed

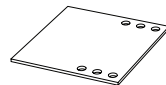
*The cam arm should rotate without obstruction when locking and unlocking device. InVue offers a broad range of cam arms should it be determined that a different cam arm dimension is required.



Latch Brackets (optional)



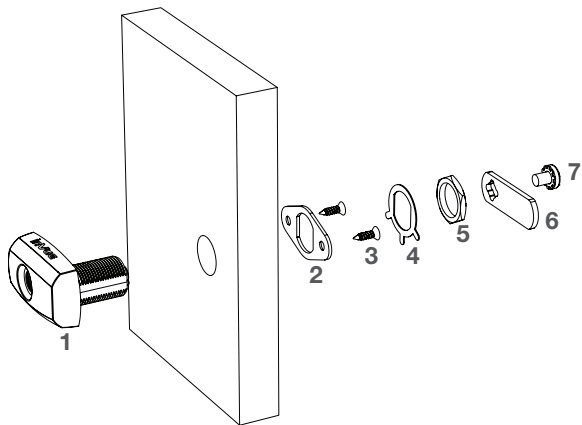
L-Bracket



Flat Bracket

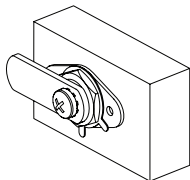
LOCK ASSEMBLY – WOOD MOUNT

Note: Installation instructions in this guide are for wood mount. For glass and metal mount, see page 22 and 23.



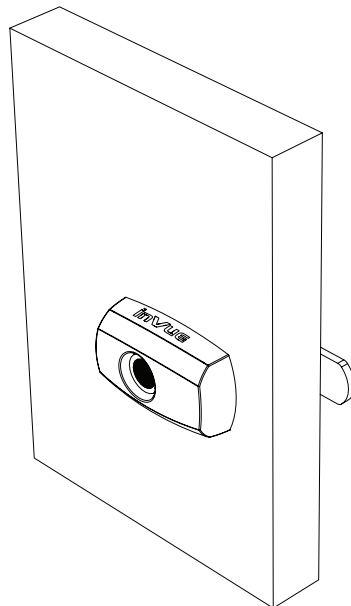
Assembly Sequence

1. Cam Lock
2. Wood Mount Bracket
3. Wood Mount Screws
4. Anti-Rotation Washer
5. Cam Lock Nut
6. Cam Arm
7. Washer & Screw

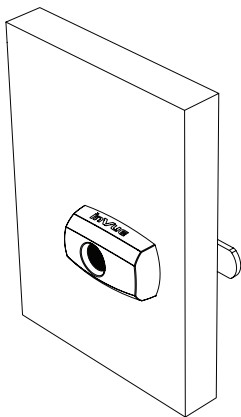


CABINET ASSESSMENT

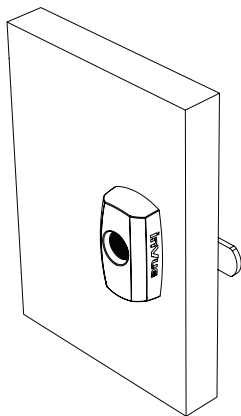
SABEL



- 1** Determine lock body orientation on cabinet. Determine if lock will be installed vertically or horizontally. Note: If there is no existing hole, consider proximity before drilling (consider latch bracket, internal shelving, frame, etc.).

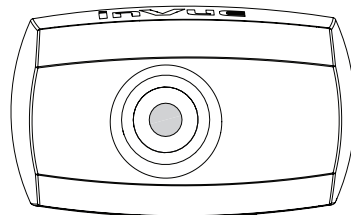


Horizontal Mount

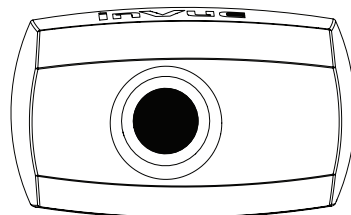


Vertical Mount

- 2** A new lock will arrive in “unlocked” position. Using IR2 Key, lock Cam.



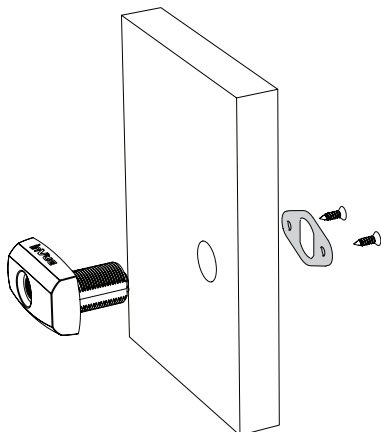
Unlocked



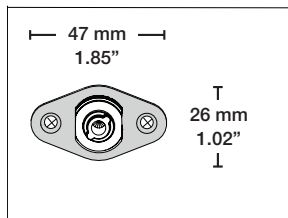
Locked

- 3** Begin test fitting assembly. Confirm enough space on back panel to screw mount bracket to panel.

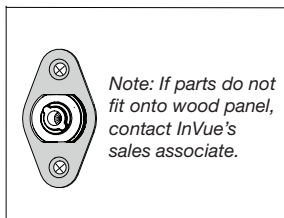
Note: DO NOT attach screws.



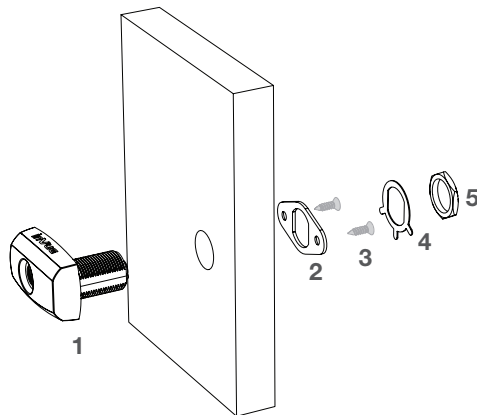
Horizontal Mount



Vertical Mount



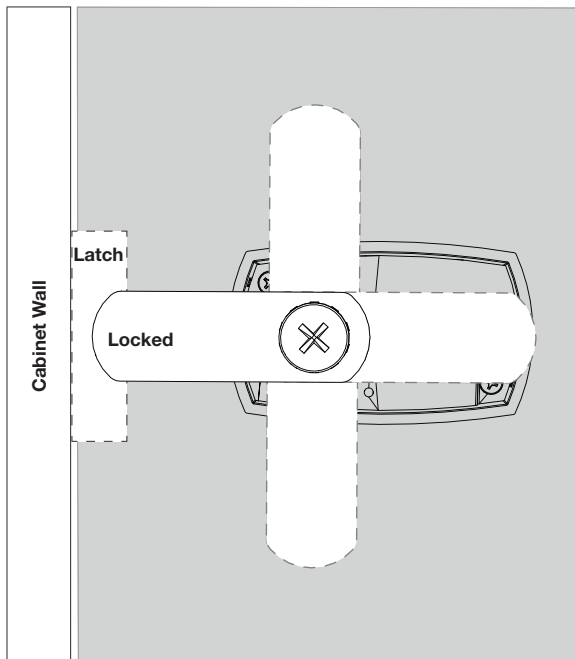
- 4** Assemble and hand tighten parts 1 - 5 below.



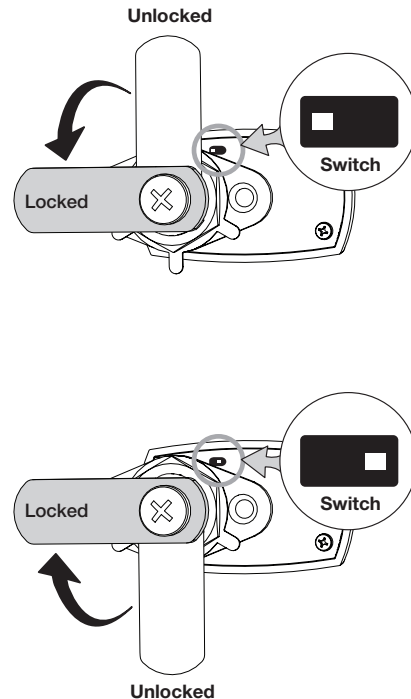
Assembly Sequence

1. Cam Lock
2. Wood Mount Bracket
3. Wood Mount Screws (will be applied later)
4. Anti-Rotation Washer
5. Cam Lock Nut

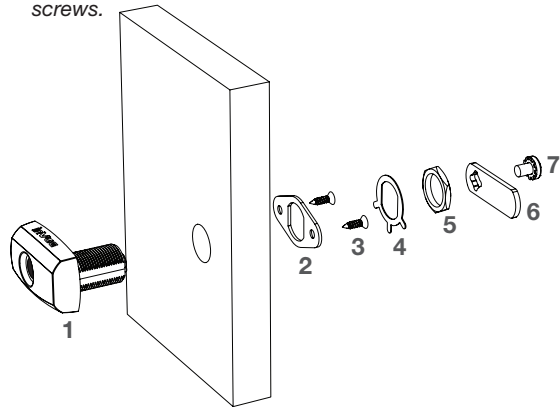
- 5** Cam arm rotates 90 degrees during operation. Cam arm can be placed in 4 different orientations. Attach cam arm in "locked" orientation relative to future location of latch. Hand tighten washer and screw.



- 6** Unlock Cam Lock with IR2 Key. Confirm cam arm rotates correctly without obstruction. Use small switch to change arm direction if needed.

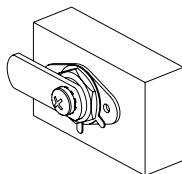


- 7** Once cam arm orientation is confirmed, remove all hand tightened parts. Reassemble ALL lock parts onto cabinet in order below. Pre-drill holes for wood mount screws.

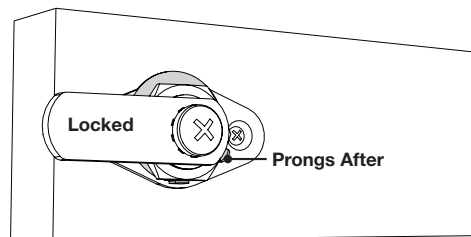
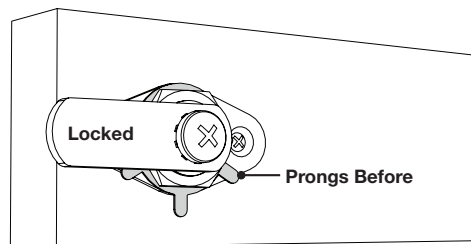


Assembly Sequence

1. Cam Lock
2. Wood Mount Bracket
3. Wood Mount Screws
4. Anti-Rotation Washer
5. Cam Lock Nut
6. Cam Arm
7. Washer & Screw

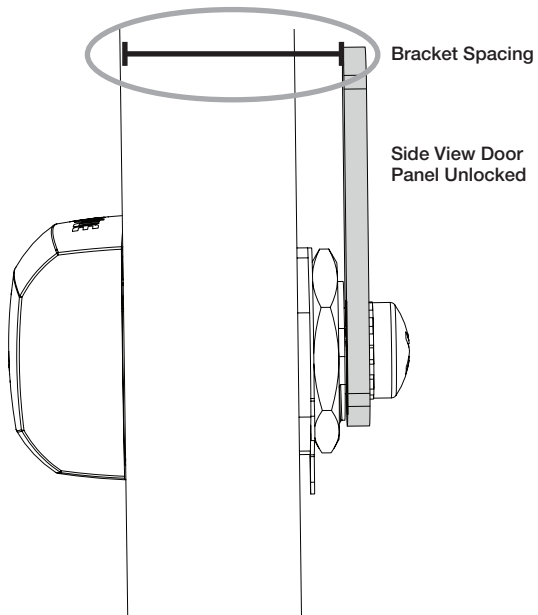


- 8** Bend prongs on anti-rotation washer onto nut to lock in place.



9a

Optional for latch bracket: Return lock to unlocked position. To correctly position latch bracket: Measure width between front of cabinet door/drawer and front of cam arm.



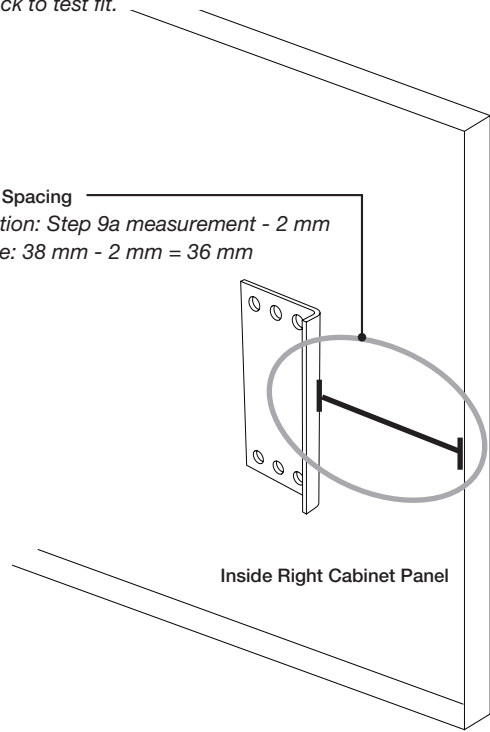
9b

Determine location of latch bracket. Use measurement from step 9a - 2 mm (0.08") to measure location of latch bracket on inside of cabinet. Position latch bracket with adhesive on back to test fit.

Bracket Spacing

Calculation: Step 9a measurement - 2 mm

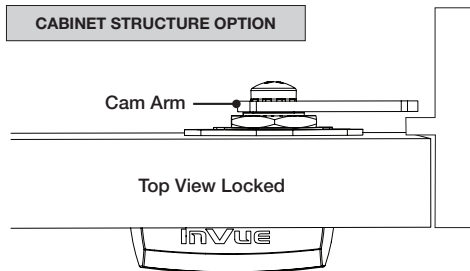
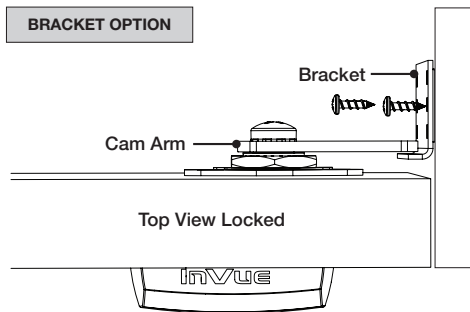
Example: 38 mm - 2 mm = 36 mm



10

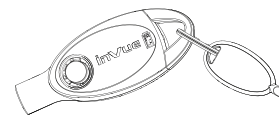
Close door and operate lock. Confirm cam arm rotates behind bracket or cabinet structure without obstruction. If using bracket, attach bracket to cabinet using wood screws provided.

Note: Latch bracket and/or cabinet structure create a security system.

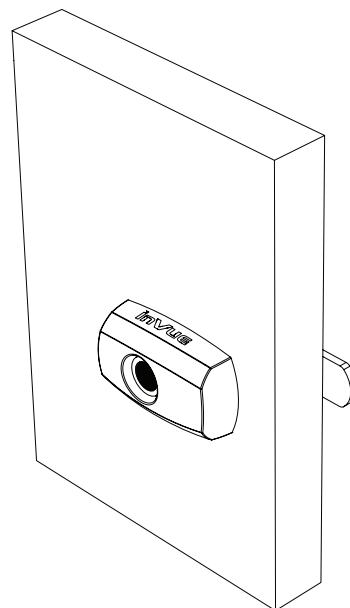


TEST LOCK

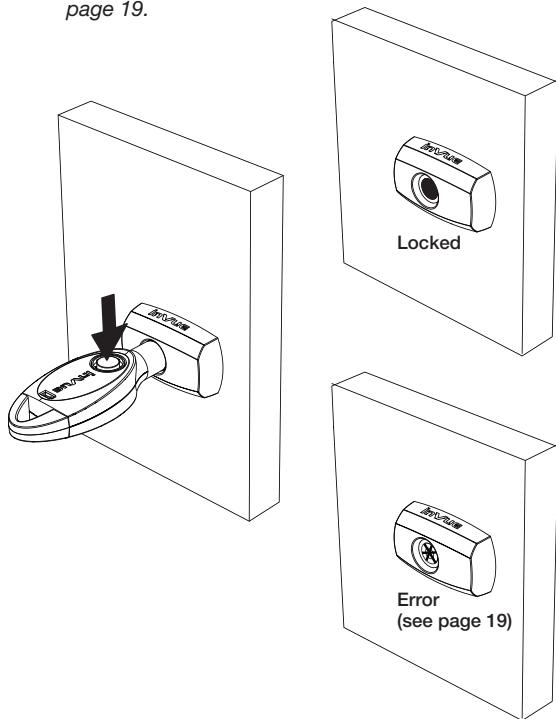
SABEL



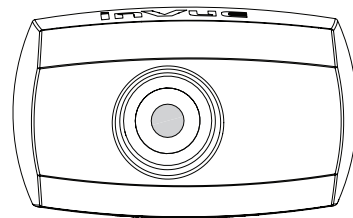
IR2 Key



- 1** Close cabinet door. Press gray button on key once and wait for “beep” to confirm cabinet is locked. Confirm Cam Lock is “locked.” If Cam Lock shows error, see page 19.



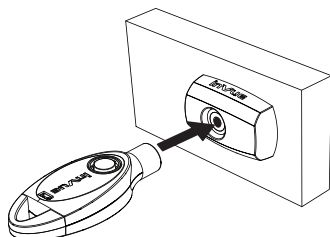
- 2** If error, return lock to “unlocked” position using IR Key.



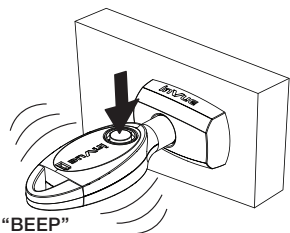
Unlocked

LOCK OPERATION USING IR2 KEY

Position IR2 Key against lock, push button and wait for "beep" before removing key. Lock and unlock cabinets several times to ensure proper operation.

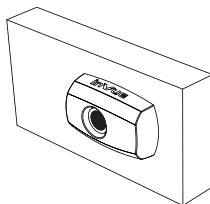


IR2 Key must be charged and activated. See IR2 Key instruction guide.



Hold until you get a confirmation "beep."
Note: If double "buzz," an error has occurred. Unlock, ensure cabinet is fully closed and try again.

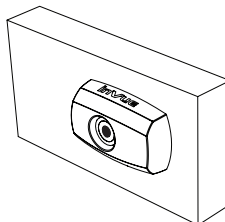
"BEEP"



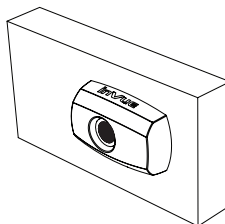
Locked

LOCK STATUS INDICATORS

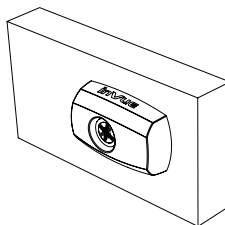
SABEL



Unlocked



Locked

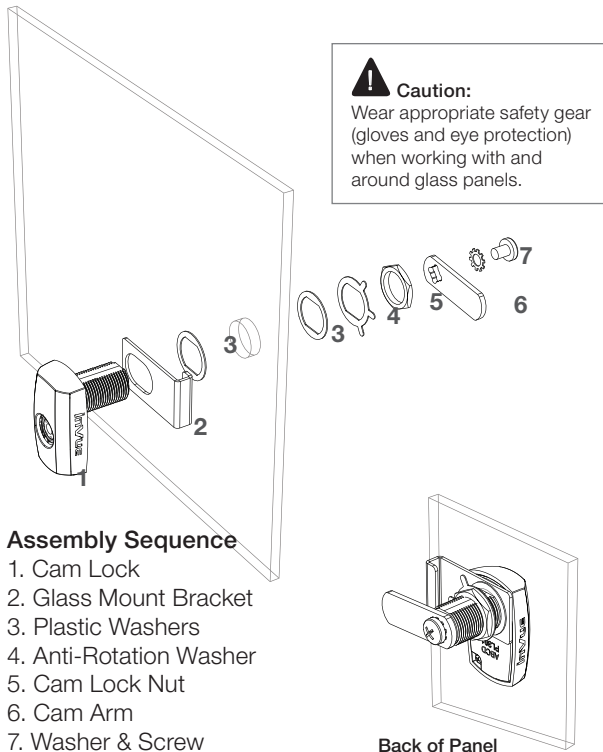


Error (not fully locked)

Note: Unlock lock. Confirm no obstructions. Fully close cabinet and try again.

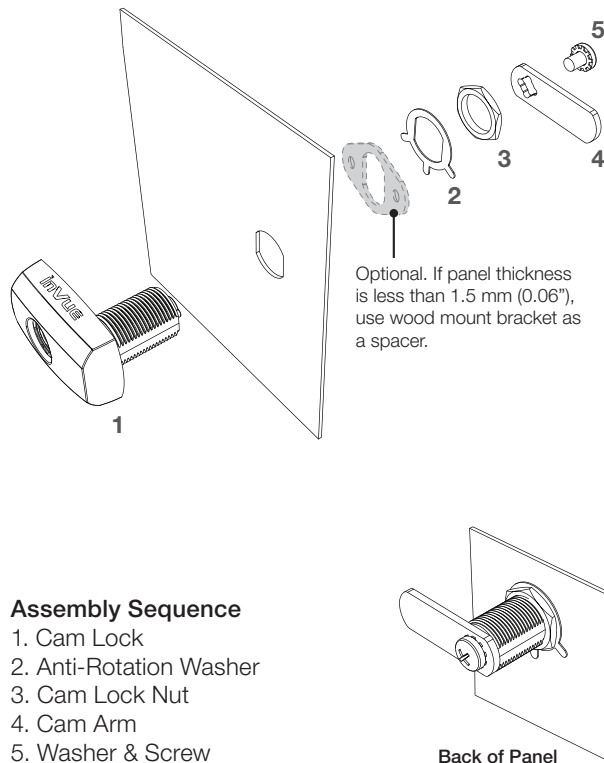
LOCK ASSEMBLY – GLASS MOUNT

Note: Orientation of glass mount bracket (#2) will dictate horizontal or vertical mounting of Cam Lock.



LOCK ASSEMBLY – METAL MOUNT

SABEL





SABEL

1300 551 662

info@sabel.com.au